

# RAB LIGHTING

## VAN6S35

JOB NAME: \_\_\_\_\_  
 DATE: \_\_\_\_\_  
 TYPE: \_\_\_\_\_

### DESCRIPTION

Versatile wall and ceiling fixture in 35 and 50 HPS. Housing is die cast aluminum bronze finish with clear vandalproof polycarbonate refractor. Lamp supplied.

### SPECIFICATIONS

#### HID Quartz restrike:

Add suffix "/QR" to Van3 (50w restrike) or Van5 (100w restrike) for HOT restrike. Provides immediate illumination in case of momentary power failure

#### Housings:

Die cast aluminum with powder coat bronze or white finish

#### Reflectors / Backplate:

Heavy gauge cold rolled steel with high reflectance baked white enamel

#### Refractor:

Injection molded polycarbonate, designed for maximum structural strength

#### Sockets:

HPS: Medium base 4kv Pulse Rated Glazed porcelain CFL: Plug-in type, thermoplastic

#### Screws:

Tamperproof center pin Torx-head and slotted Phillips head stainless steel screws provided. Be sure to order your Torx screwdriver (Catalog # VANDRIVER)

#### UL Listing:

Suitable for wet locations. Fixtures can be wired with 90° C supply wiring if supply wires are routed 3" away from ballast.

#### Patents:

RAB sensor and fixture designs are protected under U.S. and International Intellectual Property laws

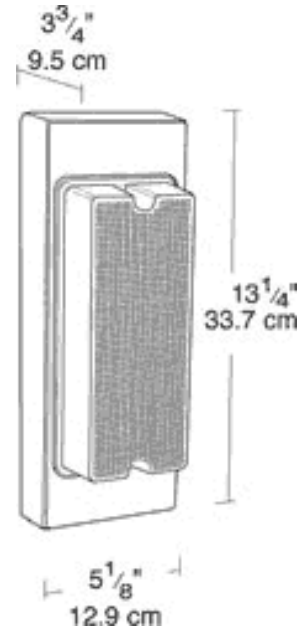
#### Color:

Bronze

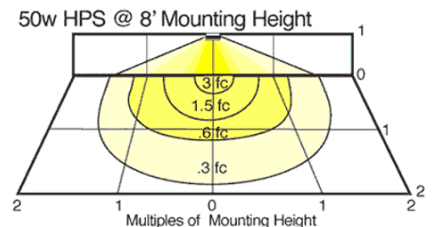
#### Weight:

5.1

### DIMENSIONS



### PHOTOMETRIC



Mounting Height	Multiplier
8'	1.0
9'	.8
10'	.7
12'	.4
14'	.3

Watts	Multiplier	HPS	CFL
35	.6		
50	1.0		
13	.2		
26	.4		

### ORDERING INFORMATION

**High Pressure Sodium**  
 Lamp supplied with fixture

Total Watts	Lamp Type	Lamp Base	Ballast
35	ED17	Medium	R-NPF 120V

Starting Amps/ Operating Amps			
120V	208V	240V	277V
1.4	0.9		

Input Watts	LAMP ANSI	Initial Lumens	Lamp Hours
46	S76	2250	24000

**Factory Installed Options**  
 Add suffix to Catalog Number

Swivel Photocontrol (/PCS)  
 Quartz Restrike (HPS & MH only) (/QR)

Mini Motion Sensor (/MS)  
 Button Photocontrol (/PC)

Note: Specifications may change without notice

**RAB Lighting, Inc.** • 170 Ludlow Ave • Northvale, NJ 07647 • Tel: 888 RAB-1000 • Fax: 888 RAB-1232 • www.rabweb.com  
 © 2008