



EZHH150QT/PC2

JOB NAME: _____
DATE: _____
TYPE: _____

DESCRIPTION

Versatile MH Floodlight with hinged lens frame and hydroformed reflector. Field adjustable vertical and horizontal lamp positions. Lamp supplied.

SPECIFICATIONS

Finish:

Chip and fade resistant polyester powder coat finish

Ground Mounting:

Use the new MPM19 PVC Mighty Post with aluminum cap for sturdy installation

Housing:

Precision die cast aluminum. 1/2" NPS threaded arm with locking swivel

Lens Frame:

Precision die cast aluminum. Hinged for easy access

Lens Gasket:

High temperature tubular silicone set in die cast retaining groove remains in place during relamping.

Reflector:

Hydroformed aluminum. Field adjustable vertical or horizontal

Socket:

Porcelain 4kv Pulse Rated socket with nickel plated screw shell

UL Listing:

Suitable for wet locations. Suitable for mounting within 4' of the ground

EPA:

0.6

Patents:

RAB sensor and fixture designs are protected under U.S. and International Intellectual Property laws.

Photocontrol:

/PC2 = 277V

Quad Tap:

Fixture works with 120, 208, 240, and 277 volts

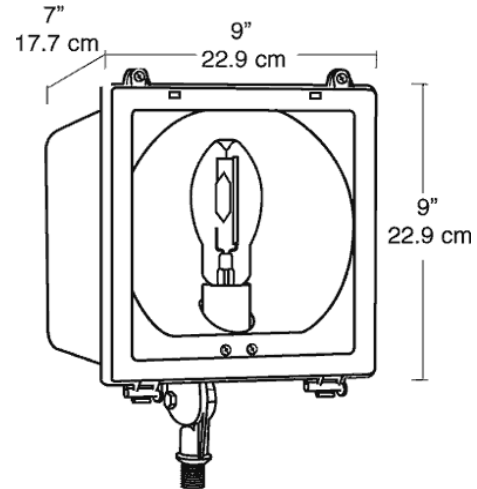
Color:

Bronze

Weight:

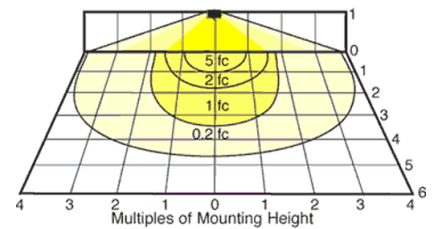
15

DIMENSIONS



PHOTOMETRIC

150w HPS @ 10' Mounting Height
Aimed 30° below horizontal



Mounting Height	Multiplier
8'	1.6
10'	1.0
12'	.7
16'	.4
20'	.3

Watts	Multiplier HPS	Multiplier MH
175		.9
150PS		1.0
150	1.0	.8
100	.6	.6
70	.4	.4
50	.3	.2
35		.2

ORDERING INFORMATION

Metal Halide

Lamp supplied with fixture

Total Watts	Lamp Type	Lamp Base	Ballast	Starting Amps/ Operating Amps				Input Watts	LAMP ANSI	Initial Lumens	Lamp Hours
				120V	208V	240V	277V				
150	ED17	Medium	CWA-HPF QT	1.0/1.6	.6/.9	.5/.8	.5/.7	185	M107	12500	10000

Factory Installed Options

Add suffix to Catalog Number

Swivel Photocontrol wired for 120V (/PCS)

Dual Tap works with 120 / 277 volts (/DT)

Quad Tap works with 120, 208, 240 and 277 volts (/QT)

Photocontrol wired for 120V (/PC)

Note: Specifications may change without notice