

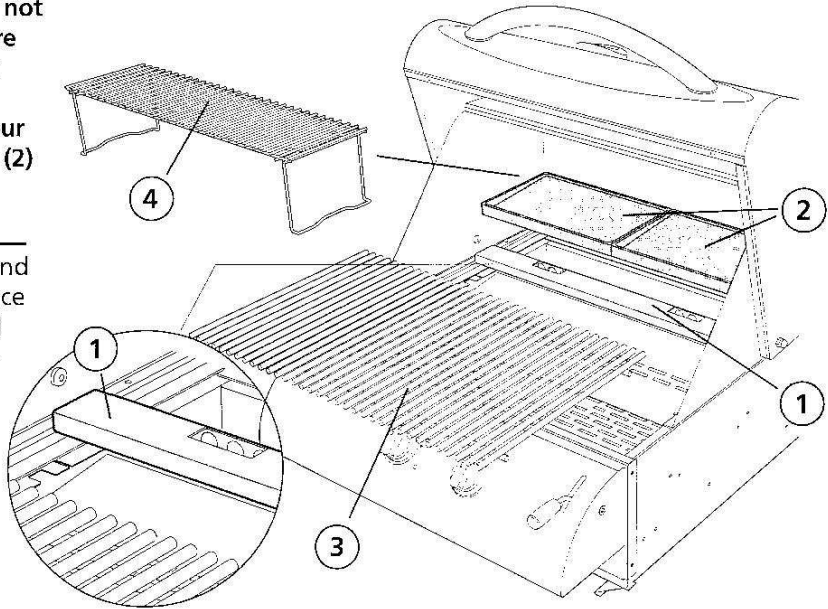
GRILL HEAD ASSEMBLY SUPPLEMENT

FIRE STONE LEGACY 36i & 24i PROCEDURE

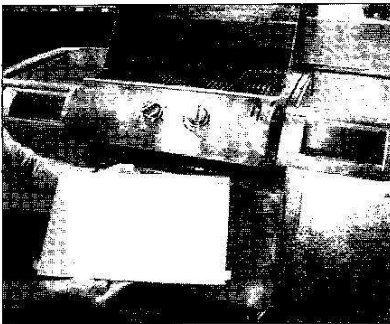
CAUTION: The grill head is heavy and the grill head drip tray can be damaged if not supported properly. Do not remove Fire Stone grill head from its shipping box until grill cart/cabinet or outdoor grill island is completely assembled. For your safety it is recommended that at least (2) persons lift and place grill head onto cart/cabinet or island.

The assembly procedure for the 36i and the 24i is the same. The only difference is The Legacy 36i uses three grills and sear plates and the 24i uses two. The illustration shown is a Legacy 24i.

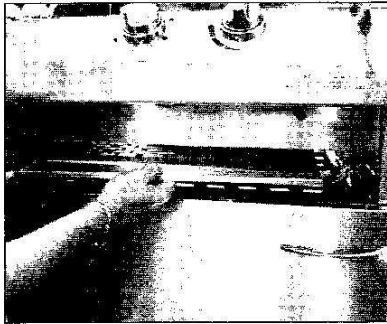
- 1 Insert the Cross Support Bracket (Be sure that the side with the holes faces the rear of the grill)
- 2 Insert the Sear Plates
- 3 Insert the Grilles
- 4 Insert the Warming Rack



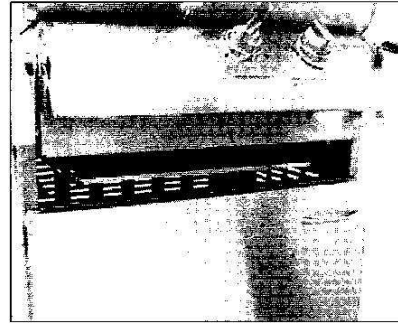
VAPORIZER SAFETY PLATE INSTALLATION



STEP ONE - Start with the Vaporizer Safety Plate with tabs at the front and pointing upward.



STEP TWO - Insert the Vaporizer Safety Plate under the Grill Control Panel - as it reaches the back of the grill, lift the rear of the plate over the Crossbar to lock it in on the bracket. The front tabs of the plate which point upward now come to rest on the integrated stainless rails.



STEP THREE - Complete the process by now installing the slide-in grease tray drawer on the tracks integrated below the vaporizer safety tray.

