

PRODUCT SPECIFICATIONS

OVERALL ASSEMBLED DIMENSIONS

HEIGHT: 17.8 CM (7"),
WIDTH: 33 CM (13") DIA.

2 LIGHTS: UL LISTED. 60 WATT. MEDIUM BASE CERAMIC E-27 SOCKET.

SHADE: WHITE ALABASTER GLASS, 25.4 CM (10") DIA x 8.3 CM (3-1/4") HEIGHT. SHAPED AS SHOWN.

PAN DETAILS: PAINTED OR PLATED STEEL, 1 MM THICK, 33 CM (13") DIA. x 4 CM (1-5/8") HEIGHT, INSULATION PAD 2.5 CM (1") THICK PROVIDED WITH OPENING TO MATCH PAN. SHAPED AS SHOWN.

FONT: PAINTED OR PLATED STEEL, 1 MM THICK, 6.2 CM (2-3/8") DIA. x 1.8 CM (3/4") HEIGHT.

SUPPLY WIRE: UL LISTED. 18 AWG, 105', MUST EXTEND A MINIMUM OF 15.2 (6") PAST HOLES OF PAN. WIRES MUST BE LEAD FREE.

LABELS: UL AND CSA OR CUL, MANUFACTURING DATE, MODEL # AND COUNTRY OF ORIGIN LABELS PROVIDED IN CANOPY. RELAMPING LABEL FOR 60 WATT TYPE "A" PROVIDED NEAR SOCKET.

PACKAGING AND SHIPPING DETAILS

THE GLASS SHADE AND PAN ARE DISASSEMBLED FOR SHIPPING. EACH PART IS WRAPPED IN PLASTIC BAG. THE GLASS SHADE IS PLACED IN A SEPARATE CARTON. A SMALL BAG OF SILICA IS PACKED WITH THE PARTS.

HARDWARE PACK #004 IS PROVIDED. ALL PARTS SHOULD BE SECURED SO THEY CAN NOT MOVE DURING SHIPPING.

THE CARTON IS MADE OF A DOUBLE WALL CORRUGATED CARDBOARD "A MA A". BROWN IN COLOR. THE INNER PACKING IS DIE-CUT CARDBOARD OR STYROFOAM SUFFICIENT TO PROTECT AND SECURE THE FIXTURE AND MUST PASS THE SPECIFIED DROP TEST REQUIREMENTS.

EACH CARTON SHALL BE PRINTED WITH A LINE DRAWING AND THE KENROY HOME NAME AND LOGO, MODEL NUMBER, SKU NUMBER AND FINISH, EACH CARTON SHALL BE PROVIDED A UPC LABEL. THE UPC BAR CODE AS FOLLOWS: BBZ=053392169770, BS=053392186258.

OTHER DETAILS

ALL METAL PARTS MUST MATCH FINISH UNLESS OTHERWISE SPECIFIED.

MODEL 91394 ASSEMBLY INSTRUCTIONS ARE TO BE PACKED WITH FIXTURE AND TO BE PRINTED CLEARLY ON QUALITY PAPER.

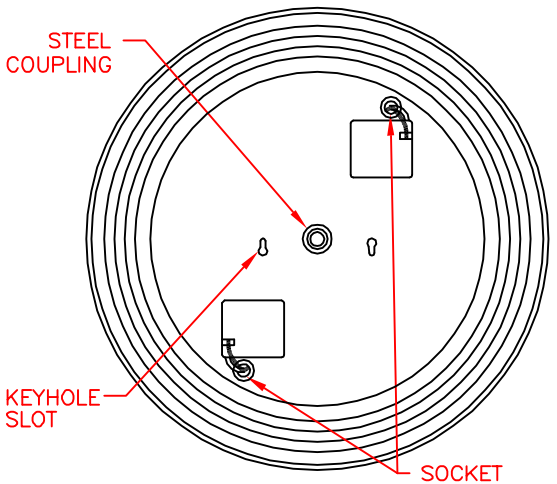
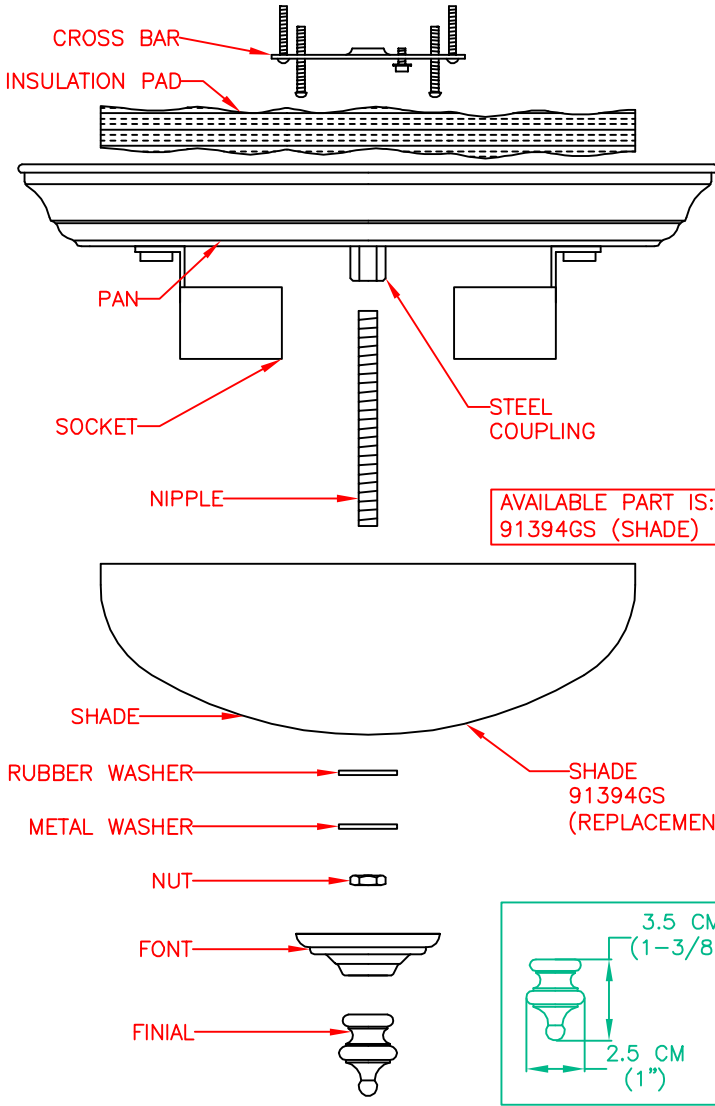
ALL BAGS MUST BE LABELED WITH OFFICIAL "THIS BAG IS NOT A TOY" STATEMENT.

ASSEMBLING TIME: 2 MINUTES.

DIMS OF BOX: 37.5 CM (14-3/4") LENGTH x 37.5 CM (14-3/4") WIDTH x 18 CM (7-1/8") HEIGHT.

NET WEIGHT: 3.74 LBS. GROSS WEIGHT: 6.01 LBS.

THE UL NUMBER IS E186084.



PAN DETAIL: WIRE HOLES

KENROY HOME 11660 CENTRAL PARKWAY JACKSONVILLE, FL. 32224 PHONE: 904-642-4340 FAX: 904-642-4150	THIS DOCUMENT AND THE INFORMATION THAT IT DISCLOSES IS THE EXCLUSIVE PROPERTY OF KENROY HOME. ANY REPRODUCTION OR USE OF THIS DRAWING IN PART OR IN WHOLE, WITHOUT THE EXPRESS CONSENT OF THE PROPRIETOR IS PROHIBITED. © 1999 KENROY HOME.		REVISION DATE: 6/24/2004 JAMES	MODEL #: 91394
	DATE: 5/23/03		REVISION DATE: remove B/W label 06/01/06	FINISH: BBZ, BS
	SCALE: NONE		REVISION DATE: add metal washer 5/18/07	
	DRAWN BY: JAMES		APPROVAL:	REVISION DATE: 5/03/08 add parts NO.