

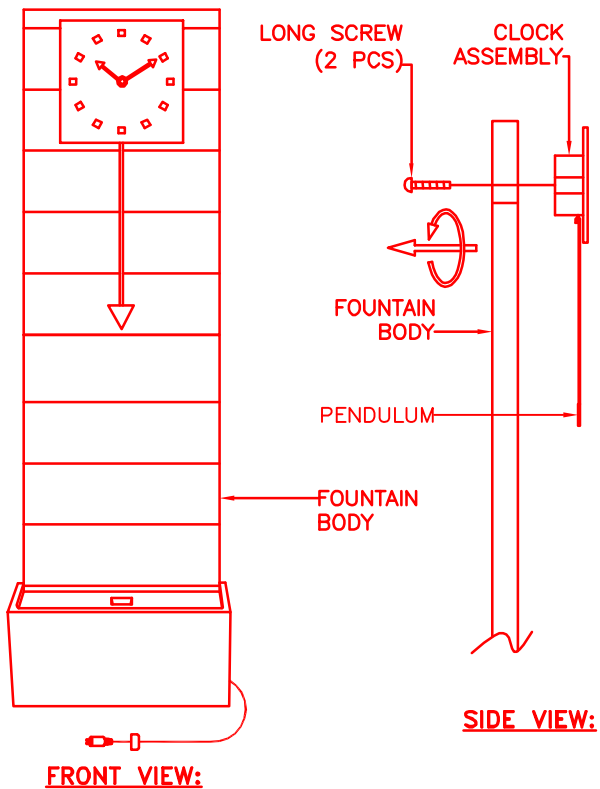
MODEL: 50623CLSL
ASSEMBLY INSTRUCTIONS
READ AND SAVE THESE INSTRUCTIONS

UNPACK THE CLOCK

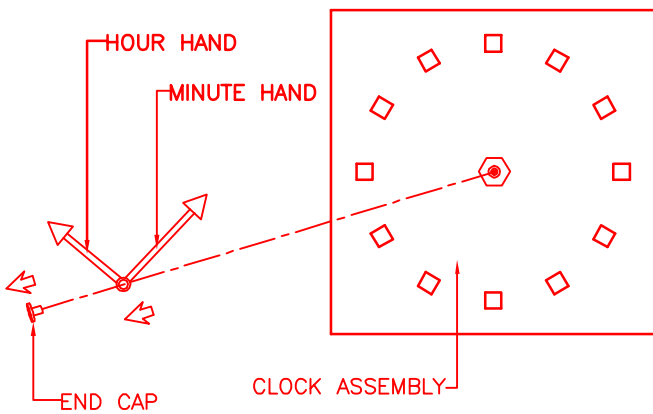
YOU SHOULD HAVE RECEIVED THE FOLLOWING PARTS:
 CLOCK, HOUR HAND, MINUTE HANDS, END CAP, WASHER AND NUT.

CLOCK REPLACEMENT

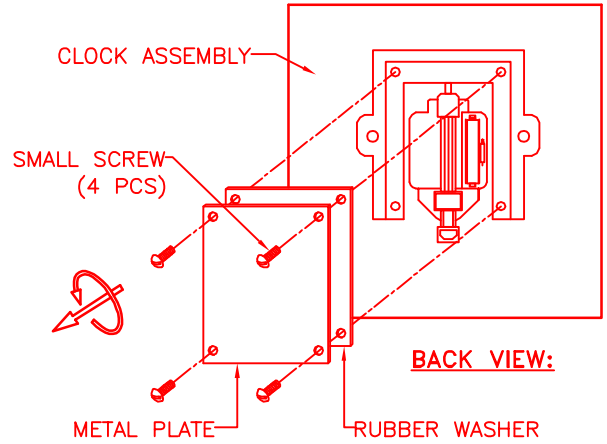
1. REMOVE THE CLOCK ASSEMBLY FROM THE FOUNTAIN BODY BY UNSCREWING (2) LONG SCREWS. THEN REMOVE PENDULUM FROM THE CLOCK ASSEMBLY.



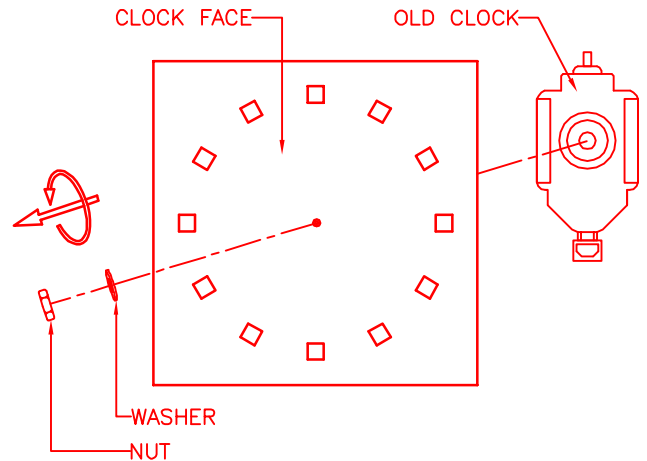
2. REMOVE THE OLD END CAP, MINUTE HAND AND HOUR HAND FROM THE CLOCK ASSEMBLY.



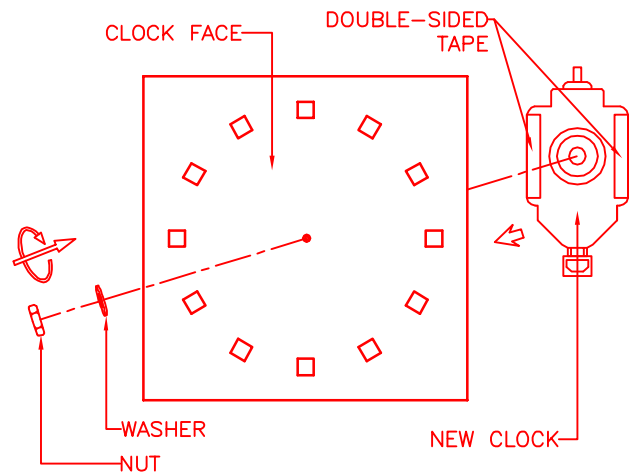
3. REMOVE METAL PLATE AND RUBBER WASHER FROM THE CLOCK ASSEMBLY BY UNSCREWING (4) SMALL SCREWS.



4. REMOVE THE OLD CLOCK FROM THE CLOCK FACE BY UNSCREWING NUT.

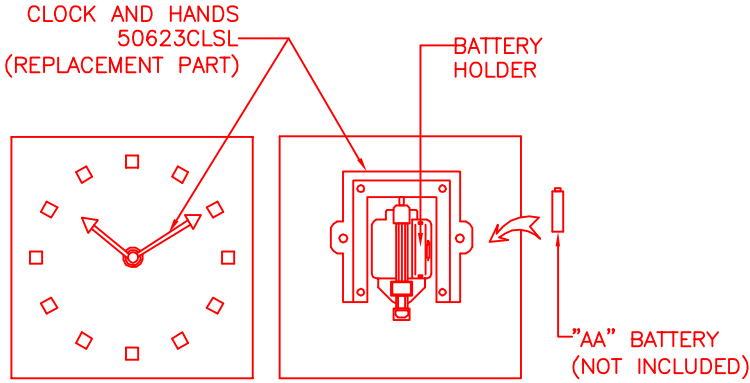


5. PEEL PAPER BACKING FROM DOUBLE-SIDED TAPE ON NEW CLOCK, ATTACH THE NEW CLOCK TO BACK OF THE CLOCK FACE, THEN SECURE WITH WASHER AND NUT.



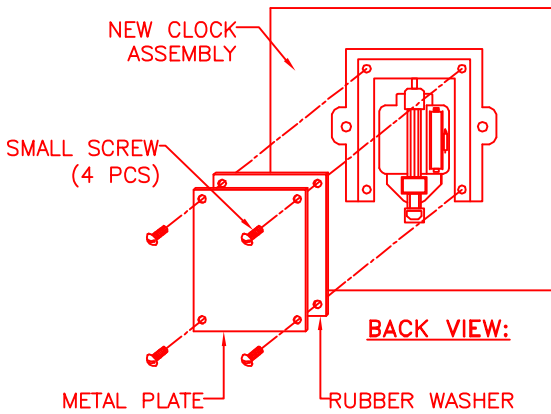
MODEL: 50623CLSL
ASSEMBLY INSTRUCTIONS
 READ AND SAVE THESE INSTRUCTIONS

6. INSTALL A "AA" BATTERY (NOT INCLUDED) INTO BATTERY HOLDER OF THE NEW CLOCK.

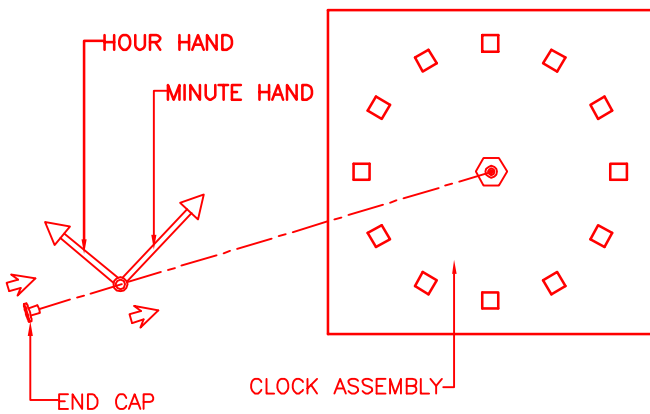


FRONT VIEW: **BACK VIEW:**

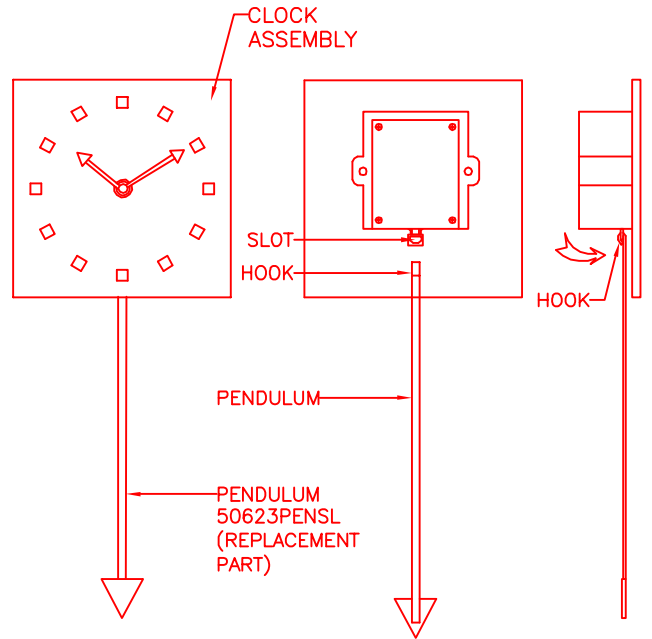
7. SECURE RUBBER WASHER AND METAL PLATE TO BACK OF THE NEW CLOCK ASSEMBLY WITH (4) SMALL SCREWS.



8. ATTACH HOUR HAND THEN MINUTE HAND TO THE PIN AND SECURE WITH END CAP.

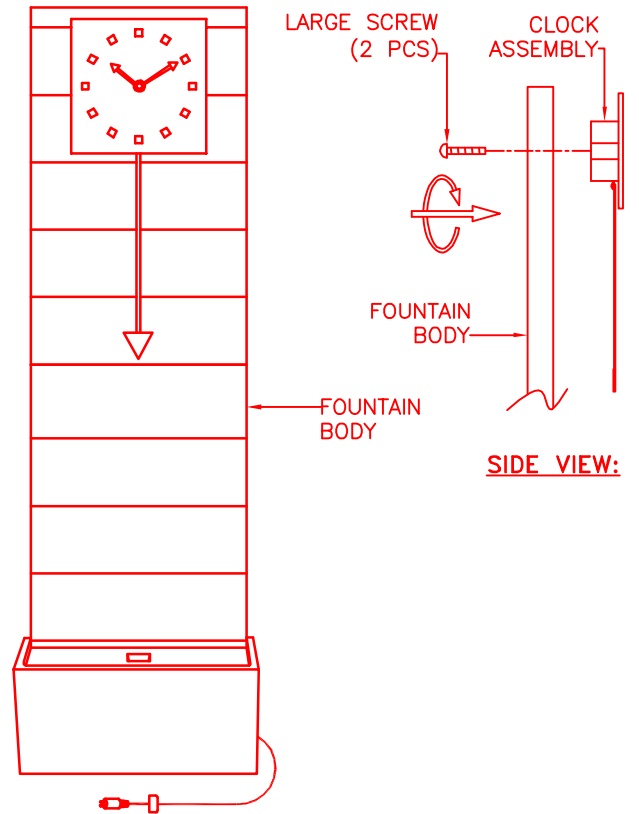


9. ATTACH PENDULUM TO THE SLOT OF THE NEW CLOCK ASSEMBLY. AFTER ATTACHING, CRIMP HOOK SLIGHTLY TO ASSURE SNUG FIT.



FRONT VIEW: **BACK VIEW:** **SIDE VIEW:**

10. ATTACH THE NEW CLOCK ASSEMBLY TO FOUNTAIN BODY AND SECURE WITH (2) LONG SCREWS FROM BACK OF THE FOUNTAIN BODY.



FRONT VIEW: