

PRODUCT SPECIFICATIONS

OVERALL ASSEMBLED DIMENSIONS

HEIGHT: 165 CM (65"), DIA: 71 CM (28").

5 LIGHTS: UL LISTED. 60 WATT. MEDIUM BASE E-26 CERAMIC SOCKET WITH OUTSIDE THREADS. DIE CAST METAL SOCKET RINGS PROVIDED.

CUP: PLATED STEEL, 5.6 CM (2-1/4") DIA. x 4.2 CM (1-5/8") HEIGHT. SHAPED AS SHOWN.

POLES: PLATED STEEL, EXTENSION TUBE: 1.2 CM (1/2") DIA. TUBING, ELLIPSE TUBE: 3.2 CM (1-1/4") LENGTH x 2.2 CM (7/8") WIDTH TUBING, 35.6 CM (14") LENGTH, CENTER TUBE: 1.2 CM (1/2") DIA. x 38 CM (15") LENGTH. SHAPED AS SHOWN.

ARM: PLATED STEEL, 2.3 CM (7/8") LENGTH x 1.3 CM (1/2") WIDTH ELLIPSE TUBING, 28.5 CM (11-1/4") LENGTH x 8 CM (3-1/8") HEIGHT. (5) ARMS ARE PROVIDED. SHAPED AS SHOWN.

CANOPY: PLATED STEEL, 15.2 CM (6") DIA. x 1.7 CM (5/8") HEIGHT. SHAPED AS SHOWN.

GLASS SHADE: BLOWN GLASS, 11.4 CM (4-1/2") DIA. x 14.3 CM (5-5/8") HEIGHT. SHAPED AS SHOWN.

DISTRIBUTOR: PLATED STEEL, 10.2 CM (4") DIA. x 4.2 CM (1-5/8") HEIGHT. A ELLIPSE WASHER IS INSTALLED ON TOP OF DISTRIBUTOR. SHAPED AS SHOWN.

SUPPLY WIRE: UL LISTED. 18 AWG, 105', MUST EXTEND A MINIMUM OF 15.2 CM (6") PAST CENTER OF CANOPY. BLACK AND WHITE WIRE. WIRE MUST BE LEAD FREE.

LABELS: UL, CSA OR CUL, MANUFACTURING DATE, MODEL # AND COUNTRY OF ORIGIN LABELS PROVIDED IN CANOPY. RELAMPING LABEL FOR 60 WATT MAX. TYPE "A" BULB PROVIDED NEAR SOCKET.

PACKAGING AND SHIPPING DETAILS

THE FIXTURE IS DISASSEMBLED FOR SHIPPING. EACH PIECE IS PACKED IN IT'S OWN CARDBOARD CARTON.

HARDWARE PACK #011 IS PROVIDED. ALL PARTS SHOULD BE SECURED SO THEY CAN NOT MOVE DURING SHIPPING.

THE CARTON IS MADE OF DOUBLE WALL, CORRUGATED CARDBOARD. EXTERIOR SURFACE OF THE CARDBOARD IS FULL COLOR. THE INNER PACKING IS DIE-CUT CARDBOARD AND/OR MOLDED STYROFOAM SUFFICIENT TO PROTECT AND SECURE THE FIXTURE AND MUST PASS THE SPECIFIED DROP TEST REQUIREMENTS.

EACH CARTON SHOULD DISPLAY THE KENROY HOME NAME AND LOGO, MODEL #, FINISH, A PHOTO OF THE FIXTURE, THE COUNTRY OF ORIGIN AND UPC BAR CODE AS FOLLOWS:
BS-LAVA=053392182540.

OTHER DETAILS

ALL METAL PARTS MUST MATCH FINISH UNLESS OTHERWISE SPECIFIED.

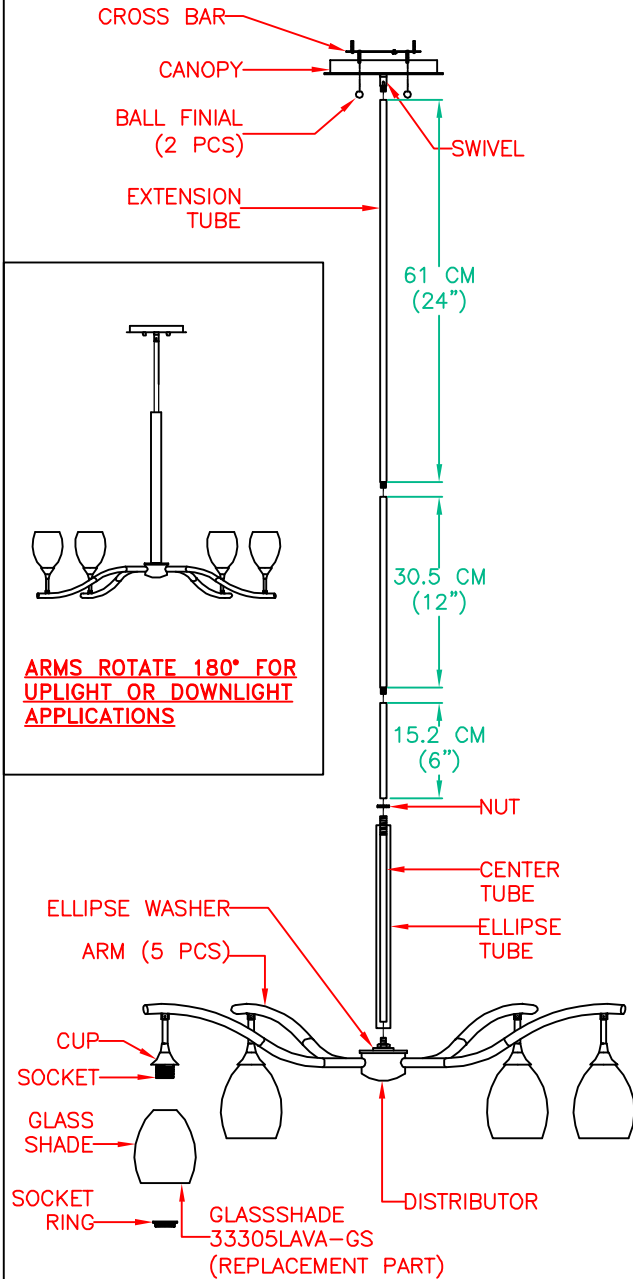
MODEL 44305BS-LAVA INSTALLATION INSTRUCTIONS ARE TO BE PACKED WITH FIXTURE, AND BE PRINTED CLEARLY ON QUALITY PAPER.

ALL BAGS MUST BE LABELED WITH OFFICIAL "THIS BAG IS NOT A TOY" STATEMENT.

ASSEMBLY TIME: 10 MINUTES.

DIMS OF BOX: 64 CM (25-1/4") LENGTH x 16.2 CM (6-3/8") WIDTH x 67 CM (26-3/8") HEIGHT.

THE UL NUMBER IS E127409.



AVAILABLE PART IS:
33305LAVA-GS (GLASS SHADE)

KENROY HOME
11660 CENTRAL PARKWAY
JACKSONVILLE, FL. 32224
PHONE: 904-642-4340
FAX: 904-642-4150

THIS DOCUMENT AND THE INFORMATION THAT IT DISCLOSES IS THE EXCLUSIVE PROPERTY OF KENROY HOME. ANY REPRODUCTION OR USE OF THIS DRAWING IN PART OR IN WHOLE, WITHOUT THE EXPRESS CONSENT OF THE PROPRIETOR IS PROHIBITED. © 2004 KENROY HOME.

DATE: 3/4/2004

SCALE: NONE

DRAWN BY: JAMES

REFERENCE: MEDICI 5LT. CHANDELIER

APPROVAL:

REVISION DATE:
9/20/05 add bs-wh finish

REVISION DATE:
6/30/06 revise SIZE

REVISION DATE:
11/20/06 revise box size

REVISION DATE:
4/12/08 ADD PARTS NO.

MODEL #:

44305

FINISHES: BS-LAVA

PAGE: 1 OF 1