

## PRODUCT SPECIFICATIONS

### OVERALL ASSEMBLED DIMENSIONS

HEIGHT: 182.8 CM (72"), DIA: 40.6 CM (16").

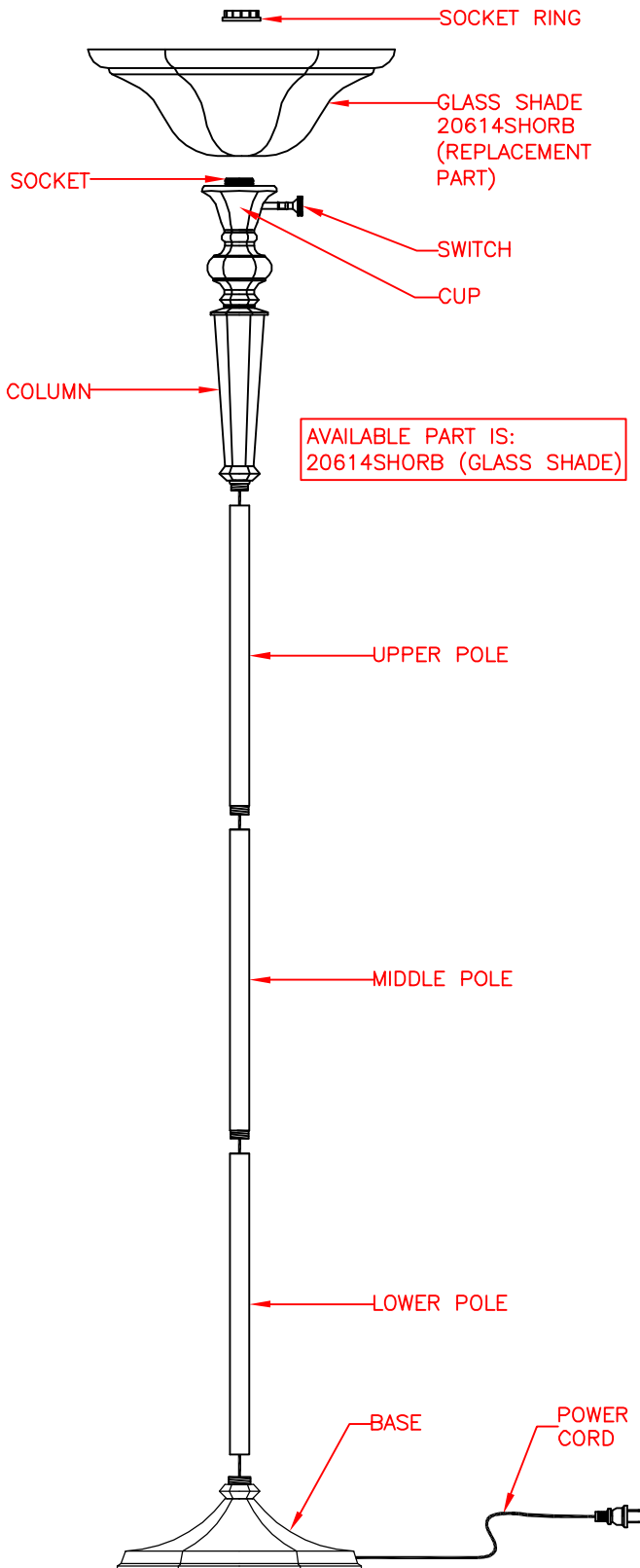
- 1 LIGHT:** UL LISTED, 150 WATT, MEDIUM BASE E-26 PHENOLIC SOCKET. 3-WAY ROTARY SWITCH WITH BRASS HANDLE (KH LOGO). THE HANDLE IS PB FINISH.
- CUP:** PAINTED METAL, 10 CM (4") DIA. x 5.8 CM (2-1/4") HEIGHT.
- COLUMN:** PAINTED METAL, 8.6 CM (3-3/8") DIA. MAX. x 33.4 CM (13-1/8") HEIGHT, SHAPED AS SHOWN.
- POLE:** PAINTED METAL, 3.2 CM (1-1/4") DIA. x 39.2 CM (15-7/16") LENGTH, (3) POLES ARE PROVIDED.
- BASE:** PAINTED METAL, HEXAGON, 32.5 CM (12-3/4") DIA. MAX. x 11.6 CM (4-1/2") HEIGHT. SHAPED AS SHOWN.
- GLASS SHADE:** AMBER GLASS SHADE, HEXAGON, 40.6 CM (16") (POINT-POINT), 35.1 CM (13-3/4") (FLAT-FLAT). HEIGHT: 14.1 CM (5-9/16"), SHAPED AS SHOWN.
- CORD:** UL LISTED, MIN 183 CM (6 FT.) LENGTH, 18 AWG., 2 CONDUCTORS, 105°C, TYPE SPT-2, SILVER/CLEAR COLOR. WIRES MUST BE LEAD FREE.
- LABELS:** UL AND CSA OR CUL, MANUFACTURING DATE, MODEL # AND COUNTRY OF ORIGIN LABEL PROVIDED. RELAMPING LABEL FOR 150 WATT MAX. 3-WAY TYPE "A" BULB PROVIDED NEAR SOCKET.

### PACKAGING AND SHIPPING DETAILS

- THE LAMP IS DISASSEMBLED FOR SHIPPING. EACH PART IS CAREFULLY WRAPPED IN A PLASTIC BAG AND PLACED SECURELY IN THE INNER PACKING SO IT CAN NOT MOVE AROUND DURING SHIPPING. A SMALL BAG OF SILICA IS INCLUDED IN THE PACKAGE.
- THE CARTON IS MADE OF DOUBLE WALL, CORRUGATED CARDBOARD "A MA A". BROWN IN COLOR. THE INNER PACKING IS DIE-CUT CARDBOARD OR STYROFOAM TO PROTECT AND SECURE THE LAMP AND MUST PASS THE SPECIFIED DROP TEST REQUIREMENTS.
- EACH CARTON SHALL BE PRINTED WITH A LINE DRAWING AND THE KENROY HOME NAME AND LOGO, MODEL NUMBER, SKU NUMBER AND FINISH, EACH CARTON SHALL BE PROVIDED A UPC LABEL. THE UPC BAR CODE AS FOLLOWS: ORB=053392089962.

### OTHER DETAILS

- MODEL 20614 INSTRUCTIONS ARE TO BE PACKED WITH EACH LAMP. INSTRUCTIONS MUST BE PRINTED CLEARLY ON QUALITY PAPER.
- ALL VISIBLE METAL PARTS MUST MATCH LAMP FINISH UNLESS OTHERWISE SPECIFIED.
- ALL BAGS MUST BE LABELED WITH OFFICIAL "THIS BAG IS NOT A TOY" STATEMENT.
- LAMP MUST REST FLAT ON SURFACE AND NOT ROCK. LAMP MUST PASS AN 8° TILT TEST.
- ASSEMBLY TIME: 10 MINUTES.
- DIMS OF BOX: 49.5 CM (19-1/2") LENGTH x 41.8 CM (16-1/2") WIDTH x 22.9 CM (9") HEIGHT.
- NET WEIGHT: 23.6 LBS.
- GROSS WEIGHT: 26.6 LBS.
- THE UL NUMBER IS E192555.



**KENROY  
HOME**

11660 CENTRAL PARKWAY  
JACKSONVILLE, FL. 32224  
PHONE: 904-642-4340  
FAX: 904-642-4150

THIS DOCUMENT AND THE INFORMATION THAT IT DISCLOSES IS THE EXCLUSIVE PROPERTY OF KENROY HOME. ANY REPRODUCTION OR USE OF THIS DRAWING IN PART OR IN WHOLE, WITHOUT THE EXPRESS CONSENT OF THE PROPRIETOR IS PROHIBITED. © 2008 KENROY HOME.

DATE: 5/27/2008

SCALE: NONE

DRAWN BY: JAMES

REFERENCE: CHESAPEAKE TORCHIERE

APPROVAL:

REVISION DATE:  
4/15/09 change KD

REVISION DATE:

REVISION DATE:

REVISION DATE:

MODEL #:

20614

FINISHES:

ORB

PAGE: 1 OF 1