

PRODUCT SPECIFICATIONS

OVERALL ASSEMBLED DIMENSIONS

HEIGHT: 153.7 CM (60-1/2"), DIA: 40.6 CM (16").

1 LIGHT: UL LISTED, 150 WATT, MEDIUM BASE E-27 ALUMINUM SOCKET. 3-WAY ROTARY SWITCH WITH BRASS HANDLE (KH LOGO). THE HARP, SADDLE, SPIDER, HANDLE AND SOCKET ARE PB FINISH.

SHADE: GOLD PLEATED FABRIC SHADE, 21.6 CM (8-1/2") DIA. (TOP) x 40.6 CM (16") DIA. (BOTTOM). x 29.2 CM (11-1/2") SLANT HEIGHT. SHAPED AS SHOWN.

NECK: PAINTED METAL, 2.5 CM (1") DIA. x 4.5 CM (1-3/4") LENGTH.

COLUMN: PAINTED METAL, HEXAGON, 8.6 CM (3-1/2") DIA. MAX. x 34.5 CM (13-5/8") HEIGHT, SHAPED AS SHOWN.

POLES: PAINTED METAL, 3.2 CM (1-1/4") DIA. x 33.5 CM (13-1/8") LENGTH, SHAPED AS SHOWN.

BASE: PAINTED METAL, HEXAGON, 32.4 CM (12-3/4") (POINT-POINT), 28 CM (11") (FLAT-FLAT), HEIGHT: 11.6 CM (4-9/16"). SHAPED AS SHOWN.

CORD: UL LISTED, MIN 183 CM (6 FT.) LENGTH, 18 AWG., 2 CONDUCTORS, 105°C, TYPE SPT-2, SILVER/CLEAR COLOR. WIRES MUST BE LEAD FREE.

LABELS: UL AND CSA OR CUL, MANUFACTURING DATE, MODEL # AND COUNTRY OF ORIGIN LABEL PROVIDED. RELAMPING LABEL FOR 150 WATT MAX. 3-WAY TYPE "A" BULB PROVIDED ON SOCKET.

PACKAGING AND SHIPPING DETAILS

THE LAMP IS DISASSEMBLED FOR SHIPPING. EACH PART IS CAREFULLY WRAPPED IN A PLASTIC BAG AND PLACED SECURELY IN THE INNER PACKING SO IT CAN NOT MOVE AROUND DURING SHIPPING. A SMALL BAG OF SILICA IS INCLUDED IN THE PACKAGE.

THE CARTON IS MADE OF DOUBLE WALL, CORRUGATED CARDBOARD "A MA A". BROWN IN COLOR. THE INNER PACKING IS DIE-CUT CARDBOARD OR STYROFOAM TO PROTECT AND SECURE THE LAMP AND MUST PASS THE SPECIFIED DROP TEST REQUIREMENTS.

EACH CARTON SHALL BE PRINTED WITH A LINE DRAWING AND THE KENROY HOME NAME AND LOGO, MODEL NUMBER, SKU NUMBER AND FINISH, EACH CARTON SHALL BE PROVIDED A UPC LABEL. THE UPC BAR CODE AS FOLLOWS: ORB=053392089924.

OTHER DETAILS

MODEL 20612 INSTRUCTIONS ARE TO BE PACKED WITH EACH LAMP. INSTRUCTIONS MUST BE PRINTED CLEARLY ON QUALITY PAPER.

ALL VISIBLE PARTS, EXCEPT SHADE, MUST MATCH LAMP FINISH UNLESS OTHERWISE SPECIFIED.

ALL BAGS MUST BE LABELED WITH OFFICIAL "THIS BAG IS NOT A TOY" STATEMENT.

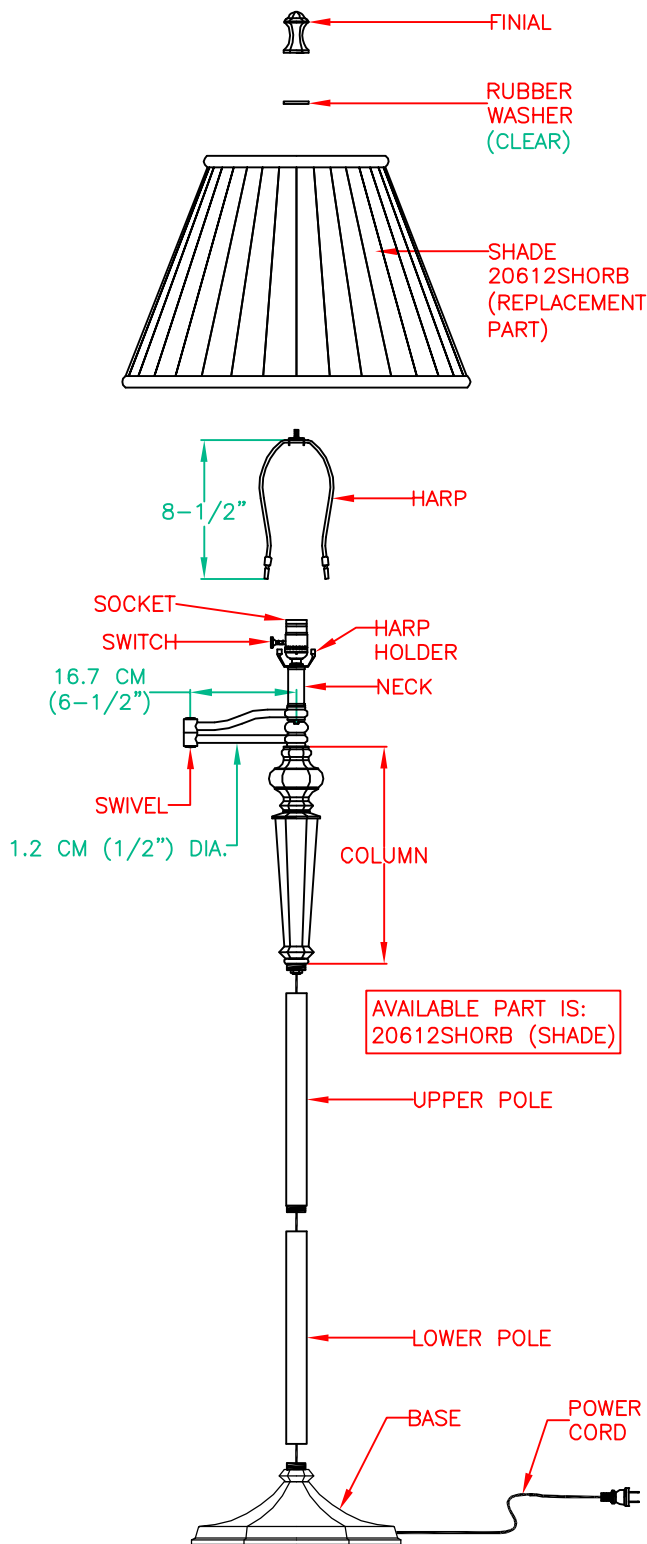
LAMP MUST REST FLAT ON SURFACE AND NOT ROCK. LAMP MUST PASS AN 8° TILT TEST.

ASSEMBLY TIME: 15 MINUTES.

DIMS OF BOX: 58.4 CM (23") LENGTH x 55.9 CM (22") WIDTH x 41.9 CM (16-1/2") HEIGHT.

NET WEIGHT: 20.1 LBS. GROSS WEIGHT: 26.3 LBS.

THE UL NUMBER IS E192555.



AVAILABLE PART IS:
20612SHORB (SHADE)

NOTE: THE POWER CORD IS ON THE BACK OF THE SWIVEL AFTER ASSEMBLING.

**KENROY
HOME**

11660 CENTRAL PARKWAY
JACKSONVILLE, FL. 32224
PHONE: 904-642-4340
FAX: 904-642-4150

THIS DOCUMENT AND THE INFORMATION THAT IT DISCLOSES IS THE EXCLUSIVE PROPERTY OF KENROY HOME. ANY REPRODUCTION OR USE OF THIS DRAWING IN PART OR IN WHOLE, WITHOUT THE EXPRESS CONSENT OF THE PROPRIETOR IS PROHIBITED. © 2008 KENROY HOME.

DATE: 5/28/2008

SCALE: NONE

DRAWN BY: JAMES

REFERENCE:
CHESAPEAKE FLOOR LAMP (SWING ARM)

APPROVAL:

REVISION DATE:
3/3/09 change KD

REVISION DATE:

REVISION DATE:

REVISION DATE:

MODEL #:

20612

FINISHES:

ORB

PAGE: 1 OF: 1