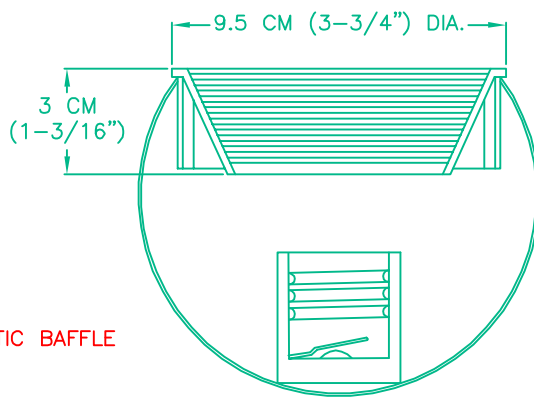
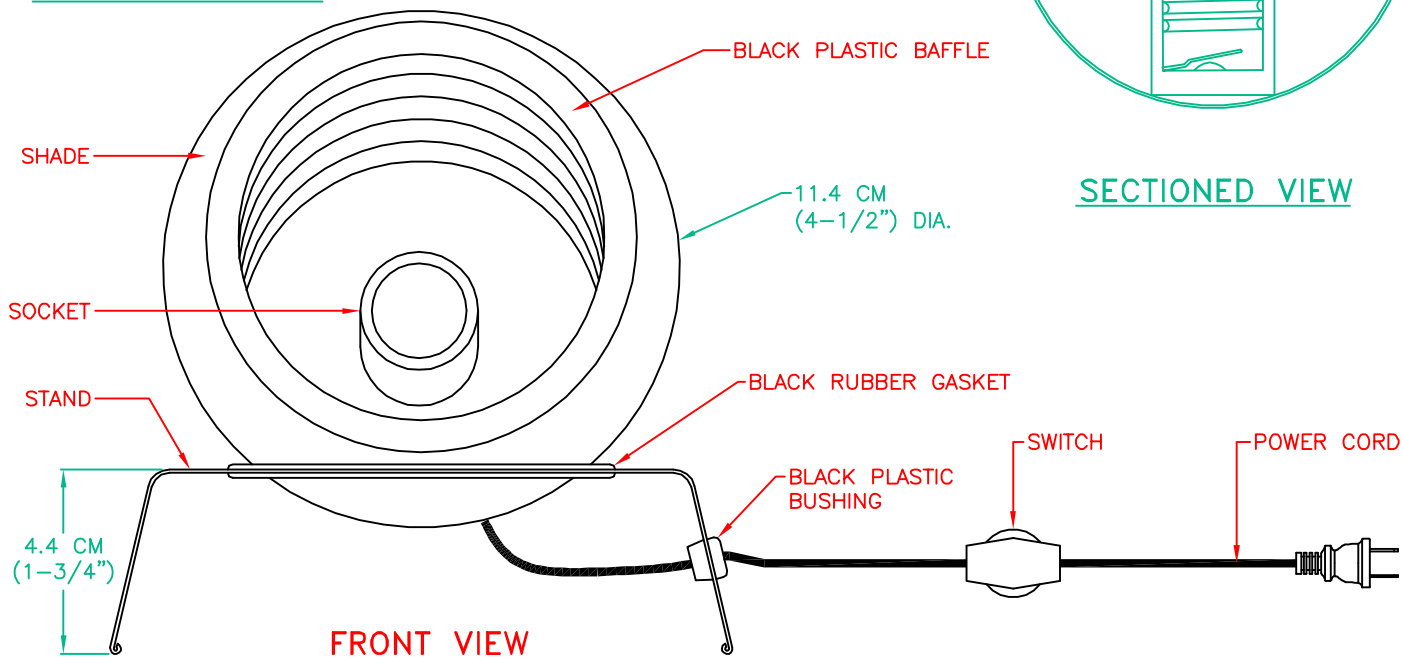


TOP VIEW OF STAND



SECTIONED VIEW



FRONT VIEW

PRODUCT SPECIFICATIONS

- OVERALL ASSEMBLED DIMENSIONS:**
HEIGHT: 13.3 CM (5-1/4"), WIDTH: 15.2 CM (6"), EXTENSION: 12.4 CM (4-7/8").
- 1 LIGHT:** UL LISTED, 60 WATT, MEDIUM BASE E-27 CERAMIC SOCKET. ON/OFF ROLLER LINE SWITCH. THE SWITCH IS WHITE COLOR.
- SHADE:** PLATED METAL FOR COP & AB FINISH, PAINTED METAL FOR ORB FINISH, 1 MM THICK, SHAPED AS SHOWN. PROVIDED WITH CORD AND ROLLER SWITCH AS SHOWN.
- CORD:** UL LISTED, MIN 183 CM (6 FT.) LENGTH, 18 AWG., 2 CONDUCTORS, 105°C, TYPE SPT-2, SILVER/CLEAR COLOR. WIRES MUST BE LEAD FREE.
- LABELS:** UL AND CSA OR CUL, MANUFACTURING DATE, MODEL # AND COUNTRY OF ORIGIN LABEL PROVIDED. RELAMPING LABEL FOR 60 WATT MAX. TYPE "FAN/APPLIANCE" BULB PROVIDED ON INSIDE OF SHADE.

PACKAGING AND SHIPPING DETAILS

- THE LAMP IS ASSEMBLED FOR SHIPPING. THE LAMP IS CAREFULLY WRAPPED IN A PLASTIC BAG AND PLACED SECURELY IN THE INNER PACKING SO IT CAN NOT MOVE AROUND DURING SHIPPING. A SMALL BAG OF SILICA IS INCLUDED IN THE PACKAGE.
- THE CARTON IS MADE OF DOUBLE WALL, CORRUGATED CARDBOARD "A MA A". BROWN IN COLOR. THE INNER PACKING IS DIE-CUT CARDBOARD OR STYROFOAM TO PROTECT AND SECURE THE LAMP AND MUST PASS THE SPECIFIED DROP TEST REQUIREMENTS.
- EACH INNER CARTON SHALL BE PRINTED WITH A LINE DRAWING AND THE KENROY HOME NAME AND LOGO, MODEL NUMBER, SKU NUMBER AND FINISH, EACH CARTON SHALL BE PROVIDED A UPC LABEL. THE UPC BAR CODE AS FOLLOWS: ORB=053392089375, COP=053392089382, AB=053392089399.

OTHER DETAILS

- MODEL 20506 INSTRUCTIONS ARE TO BE PACKED WITH EACH LAMP. INSTRUCTIONS MUST BE PRINTED CLEARLY ON QUALITY PAPER.
- ALL VISIBLE PARTS, EXCEPT SHADE, MUST MATCH LAMP FINISH UNLESS OTHERWISE SPECIFIED.
- ALL BAGS MUST BE LABELED WITH OFFICIAL "THIS BAG IS NOT A TOY" STATEMENT.
- THE UL NUMBER IS E99131-2.
- DIMS OF UNIT BOX: 15 CM (5-7/8") LENGTH x 17 CM (6-11/16") WIDTH x 16 CM (6-5/16") HEIGHT.
- DIMS OF MASTER BOX: 48 CM (18-7/8") LENGTH x 36 CM (14-3/16") WIDTH x 18 CM (7-1/16") HEIGHT. (6 PCS/CTN)
- NET WEIGHT: 8.2 LBS. GROSS WEIGHT: 11.6 LBS.

KENROY HOME 11660 CENTRAL PARKWAY JACKSONVILLE, FL. 32224 PHONE: 904-642-4340 FAX: 904-642-4150	THIS DOCUMENT AND THE INFORMATION THAT IT DISCLOSES IS THE EXCLUSIVE PROPERTY OF KENROY HOME. ANY REPRODUCTION OR USE OF THIS DRAWING IN PART OR IN WHOLE, WITHOUT THE EXPRESS CONSENT OF THE PROPRIETOR IS PROHIBITED. © 1998 KENROY HOME.			REVISION DATE: 3/23/99 TVL	MODEL #: 20506
	DATE: 12/1/98	SCALE: NONE	DRAWN BY: TVL	REVISION DATE: 8/2/00 BDT	FINISHES: ORB, COP, AB
	REFERENCE: 1 LT. SPOT LIGHT	APPROVAL:	REVISION DATE: 6/5/08 change bulb type	REVISION DATE:	PAGE: 1 OF 1
				REVISION DATE:	