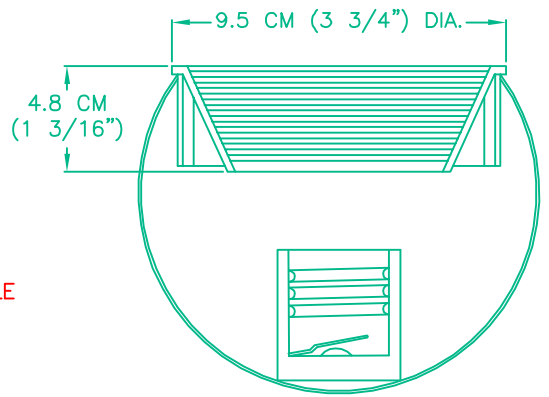
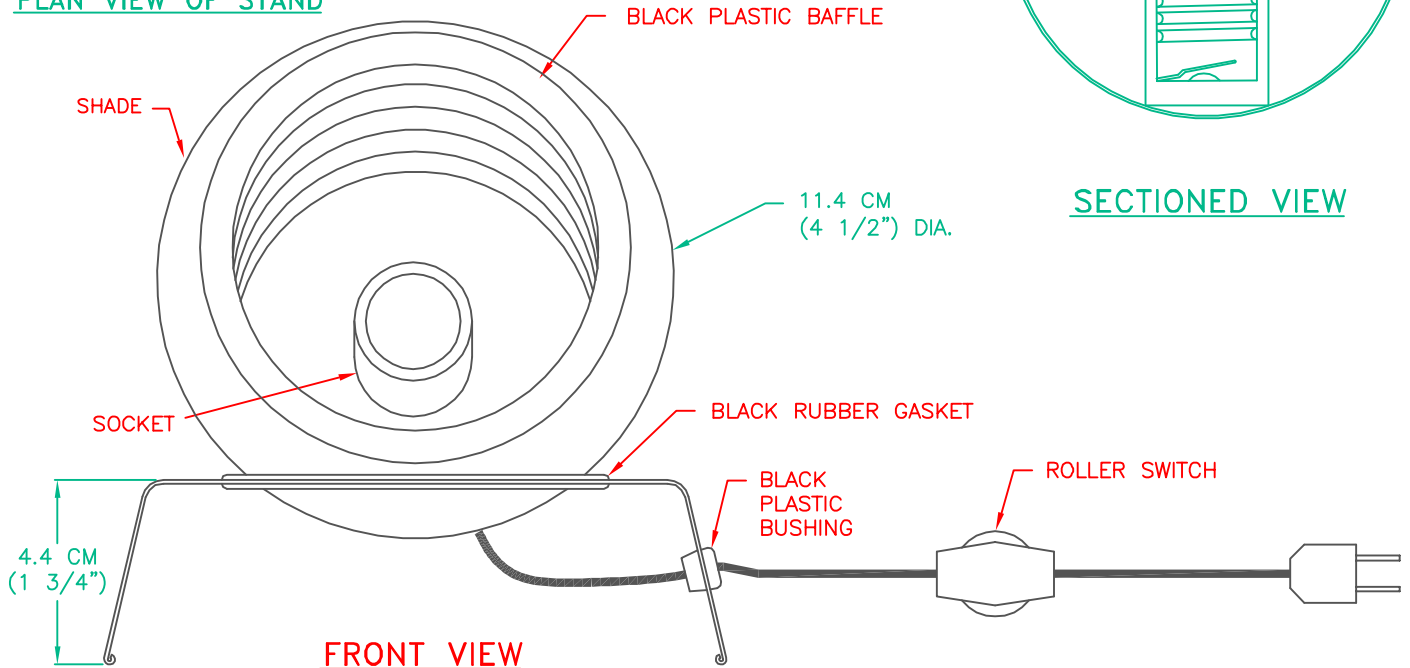


**PLAN VIEW OF STAND**



**SECTIONED VIEW**



**FRONT VIEW**

## PRODUCT SPECIFICATIONS

- OVERALL ASSEMBLED DIMENSIONS:** HEIGHT- 13.3 CM (5 1/4") WIDTH- 15.9 CM (6 1/4") DEPTH- 12.4 CM (4 7/8")
- 1 LIGHT:** MEDIUM BASE E-27 CERAMIC SOCKET, 50 WATT.
- SHADE:** PAINTED STEEL, 1 MM THICK, SHAPED AS SHOWN. PROVIDED WITH CORD AND ROLLER SWITCH AS SHOWN.
- LABELS:** UL, CSA OR CUL, MANUFACTURING DATE, MODEL # AND COUNTRY OF ORIGIN LABELS PROVIDED. RELAMPING LABEL FOR 50 WATT MAX. TYPE "PAR 20" BULB PROVIDED ON INSIDE OF SHADE.
- PACKAGING AND SHIPPING DETAILS:** EACH PART IS CAREFULLY WRAPPED IN A PLASTIC BAG AND PACKED IN A CARTON TO PREVENT MOVEMENT DURING SHIPPING.
- THE CARTON IS MADE OF DOUBLE WALL, CORRUGATED CARDBOARD. EXTERIOR SURFACE OF THE CARDBOARD IS FULL COLOR. INNER PACKING IS DIE-CUT CARDBOARD AND/OR STYROFOAM SUFFICIENT TO PROTECT AND SECURE THE LAMP AND MUST PASS THE SPECIFIED DROP TEST REQUIREMENTS.
- EACH INNER CARTON SHALL BE PRINTED WITH A LINE DRAWING AND THE KENROY HOME NAME AND LOGO, MODEL NUMBER, SKU NUMBER AND FINISH, EACH CARTON SHALL BE PROVIDED A UPC LABEL. THE UPC BAR CODE AS FOLLOWS:  
BS=10053392043961, WH=10053392043947.
- OTHER DETAILS:** ALL PAINT ON FIXTURE TO BE UNIFORM IN COLOR.
- MODEL 20506 INSTRUCTIONS ARE TO BE PACKED WITH EACH LAMP.

|  |   |                |                  |                               |                              |
|--|---|----------------|------------------|-------------------------------|------------------------------|
| <b>KENROY HOME</b><br>11660 CENTRAL PARKWAY<br>JACKSONVILLE, FL. 32224<br>PHONE: 904-642-4340<br>FAX: 904-642-4150 | THIS DOCUMENT AND THE INFORMATION THAT IT DISCLOSES IS THE EXCLUSIVE PROPERTY OF KENROY HOME. ANY REPRODUCTION OR USE OF THIS DRAWING IN PART OR IN WHOLE, WITHOUT THE EXPRESS CONSENT OF THE PROPRIETOR IS PROHIBITED. © 1998 KENROY HOME. |                |                  | REVISION DATE:<br>3/23/99 TVL | MODEL #:<br><br><b>20506</b> |
|  | DATE:<br>12/1/98  | SCALE:<br>NONE | DRAWN BY:<br>TVL | REVISION DATE:<br>8/2/00 BDT  |                              |
|  | REFERENCE:<br>1 LT. SPOT LITE   | APPROVAL:      | REVISION DATE:   | FINISHES:<br>BS, WH           |                              |
|  |   |                | REVISION DATE:   | PAGE:<br>1 OF<br>1            |                              |