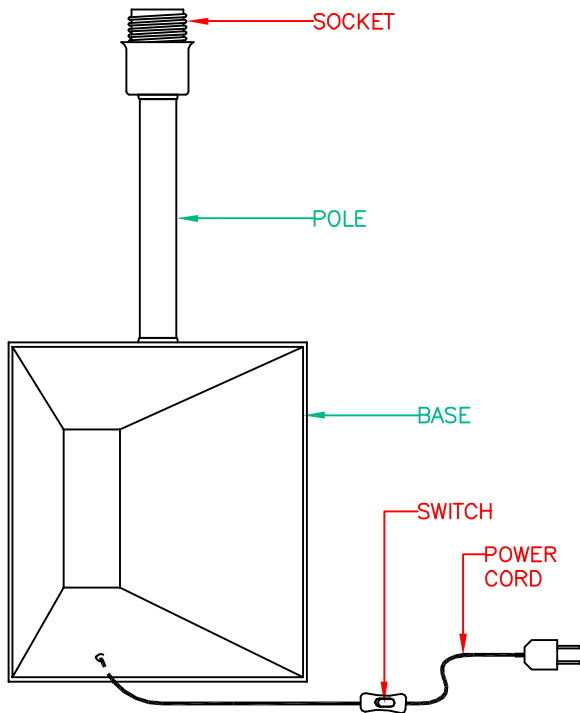
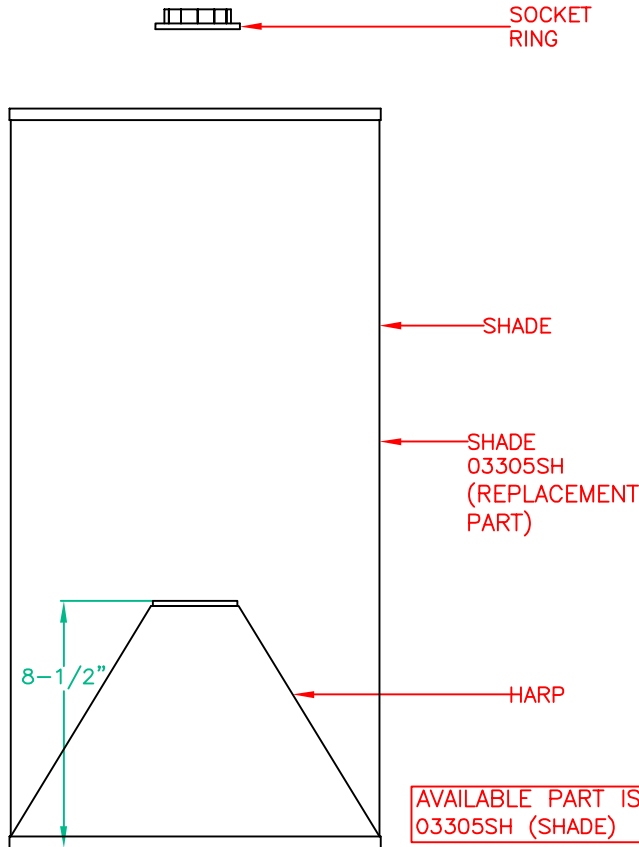


PRODUCT SPECIFICATIONS



- OVERALL ASSEMBLED DIMENSIONS**
HEIGHT: 76.8 CM (30-1/4"), WIDTH: 25.4 CM (10"), EXTENSION: 20.3 CM (8").
- 1 LIGHT:** UL LISTED, 150 WATT, MEDIUM BASE E-27 CERAMIC SOCKET. ON/OFF LINE ROCKER SWITCH.
- SHADE:** AMBER FABRIC SHADE FOR AMB FINISH, WHITE FABRIC SHADE FOR BLACK FINISH, RECTANGLE, 25.4 CM (10") LENGTH x 20.3 CM (8") WIDTH x 50.8 CM (20") HEIGHT. SHAPED AS SHOWN.
- POLE:** PLATED METAL, 2.5 CM (1") DIA. x 20.3 CM (8") LENGTH.
- BASE:** PAINTED RESIN, 20.6 CM (8-1/8") LENGTH x 15.2 CM (6") WIDTH x 23.4 CM (9-1/4") HEIGHT. FELT PAD INSTALLED ON BOTTOM OF BASE.
- CORD:** UL LISTED, MIN 183 CM (6 FT.) LENGTH, 18 AWG., 2 CONDUCTORS, 105°C, TYPE SPT-2, SILVER/CLEAR COLOR. WIRES MUST BE LEAD FREE.
- LABELS:** UL AND CSA OR CUL, MANUFACTURING DATE, MODEL # AND COUNTRY OF ORIGIN LABEL PROVIDED. RELAMPING LABEL FOR 150 WATT MAX. TYPE "A" BULB PROVIDED ON SOCKET.

PACKAGING AND SHIPPING DETAILS

- THE LAMP IS DISASSEMBLED FOR SHIPPING. EACH PART IS CAREFULLY WRAPPED IN A PLASTIC BAG AND PLACED SECURELY IN THE INNER PACKING SO IT CAN NOT MOVE AROUND DURING SHIPPING. A SMALL BAG OF SILICA IS INCLUDED IN THE PACKAGE.
- THE CARTON IS MADE OF DOUBLE WALL, CORRUGATED CARDBOARD "A MA A". BROWN IN COLOR. THE INNER PACKING IS DIE-CUT CARDBOARD OR STYROFOAM TO PROTECT AND SECURE THE LAMP AND MUST PASS THE SPECIFIED DROP TEST REQUIREMENTS.
- EACH CARTON SHALL BE PRINTED WITH A LINE DRAWING AND THE KENROY HOME NAME AND LOGO, MODEL NUMBER, SKU NUMBER AND FINISH, EACH CARTON SHALL BE PROVIDED A UPC LABEL. THE UPC BAR CODE AS FOLLOWS: BLACK=053392033057.

OTHER DETAILS

- MODEL 03305 INSTRUCTIONS ARE TO BE PACKED WITH EACH LAMP. INSTRUCTIONS MUST BE PRINTED CLEARLY ON QUALITY PAPER.
- ALL VISIBLE PARTS, EXCEPT SHADE, MUST MATCH LAMP FINISH UNLESS OTHERWISE SPECIFIED.
- ALL BAGS MUST BE LABELED WITH OFFICIAL "THIS BAG IS NOT A TOY" STATEMENT.
- LAMP MUST REST FLAT ON SURFACE AND NOT ROCK. LAMP MUST PASS AN 8° TILT TEST.
- ASSEMBLY TIME: 5 MINUTES.
- DIMS OF BOX: 28 CM (11") LENGTH x 22.9 CM (9") WIDTH x 81.3 CM (32") HEIGHT.
- NET WEIGHT: 6.5 LBS. GROSS WEIGHT: 8.4 LBS.
- THE UL NUMBER IS E124037-2.

**KENROY
HOME**

11660 CENTRAL PARKWAY
JACKSONVILLE, FL. 32224
PHONE: 904-642-4340
FAX: 904-642-4150

THIS DOCUMENT AND THE INFORMATION THAT IT DISCLOSES IS THE EXCLUSIVE PROPERTY OF KENROY HOME. ANY REPRODUCTION OR USE OF THIS DRAWING IN PART OR IN WHOLE, WITHOUT THE EXPRESS CONSENT OF THE PROPRIETOR IS PROHIBITED. © 2006 KENROY HOME.

DATE: 3/27/2007

SCALE: NONE

DRAWN BY: JAMES

REFERENCE: NICHE TABLE LAMP

APPROVAL:

REVISION DATE:
5/30/08 add parts NO.

REVISION DATE:

REVISION DATE:

REVISION DATE:

MODEL #:

03305

FINISHES:

BLACK

PAGE: 1 OF 1