



Project: _____

Fixture Type: _____

Location: _____

Contact/Phone: _____

RECTANGULAR DIE CAST STEP-LIGHT

7W or 9W COMPACT
FLUORESCENT LAMP

PL115

PRODUCT DESCRIPTION

PL Housing designed for use in non-insulated areas • If installed where insulation is present, the insulation must be pulled back 3" from all sides of the PL housing.

PRODUCT SPECIFICATIONS

Lamp One 7W/9W twin tube CFL lamp.

Socket Horizontal mounted in housing.

Ballast 120V normal power factor magnetic • UL Listed/CSA certified.

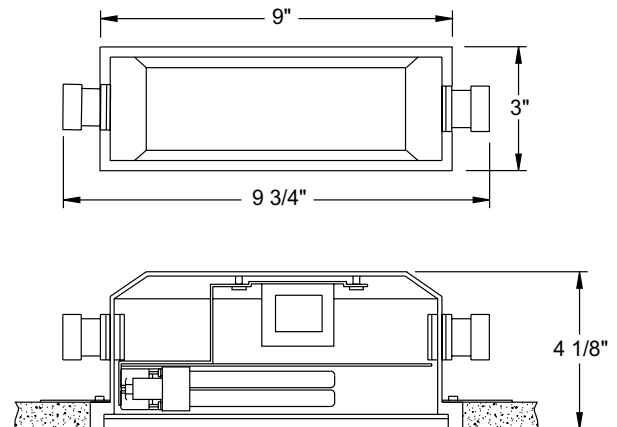
Trims Available in white or black baked enamel on cast aluminum • Fastens to housing with two allen head screws • Opal diffuser supplied with all trims.

Labels UL listed for wet locations, concrete pour approved and IP • Union made AFL-CIO • UL Listed/CSA certified.

Testing All reports are based on published industry procedures; field performance may differ from laboratory performance.

Product specifications subject to change without notice.

DIMENSIONS



8 1/2" X 3" WALL CUTOUT

INSTALLATION

Mounting Two brackets supplied for nailing unit to studs.

Junction Box (2) 1/2" conduit compression connections and ground.

Housing Die cast aluminum painted white • Gasketed for wet location • 8 1/2" L x 3" H x 4 1/8" D.

PRODUCT CODES

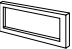
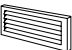
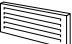
Catalog Number	Input Voltage	Lamp Rating (max.)
PL115	120V	7W or 9W Twin Tube CFL

RECTANGULAR DIE CAST STEP-LIGHT

7W or 9W COMPACT
FLUORESCENT LAMP

PL115

TRIMS/LAMPS

	Cat. No.	Description	Lamp Rating
	835-WH 835-BL	Full Opal Lens - White Full Opal Lens - Black	7W or 9W Twin Tube CFL
	836-WH 836-BL	Opal Lens with Grill - White Opal Lens with Grill - Black	7W or 9W Twin Tube CFL
	837-WH 837-BL	Opal Lens with Angled Louvers - White Opal Lens with Angled Louvers - Black	7W or 9W Twin Tube CFL

Trim Size: 9 $\frac{1}{16}$ " L x 3 $\frac{5}{8}$ " H
Trim Finish: WH - White, BL - Black.



1300 S. Wolf Road • P.O. Box 5065 • Des Plaines, IL 60017-5065 • Phone (847) 827-9880 • Fax (847) 827-2925
220 Chrysler Drive • Brampton, Ontario • Canada L6S 6B6 • Phone (905) 792-7335 • Fax (905) 792-0064
Visit us at www.junolightinggroup.com

Printed in U.S.A. ©2005 Juno Lighting, Inc.