

**GENERAL SPECIFICATIONS:**

**Tub Size** 54" x 54" x 22.75"  
**Bathing Well** length: 50" top / 41" bottom  
 width: 34" top / 30" bottom  
 depth at overflow: 18"  
**Plumbed Weight** 150 lbs / 68.10 kg  
**Soaker Weight** 100 lbs / 45.40 kg  
**Average Fill** 42 gal to above jet level  
**Maximum Fill** 73 gal to overflow  
**Undermountable** No

NOTE: Not recommended as a tub / shower combination

**ELECTRICAL SPECIFICATIONS:**

**Required Electrical Service** 110 Volt  
**Air Bath or Standard Whirlpool** 1-15 amp GFCI  
**Enhanced Whirlpool** 1-20 amp GFCI  
**Standard Whirlpool w/Air** 2-15 amp GFCI  
**Enhanced Whirlpool w/Air** 2-20 amp GFCI

UL Listed or CSA Certified C/US; NAHB Certified; ANSI Z124.1 for plastic tubs and ANSI 112.19.7 for whirlpool components.

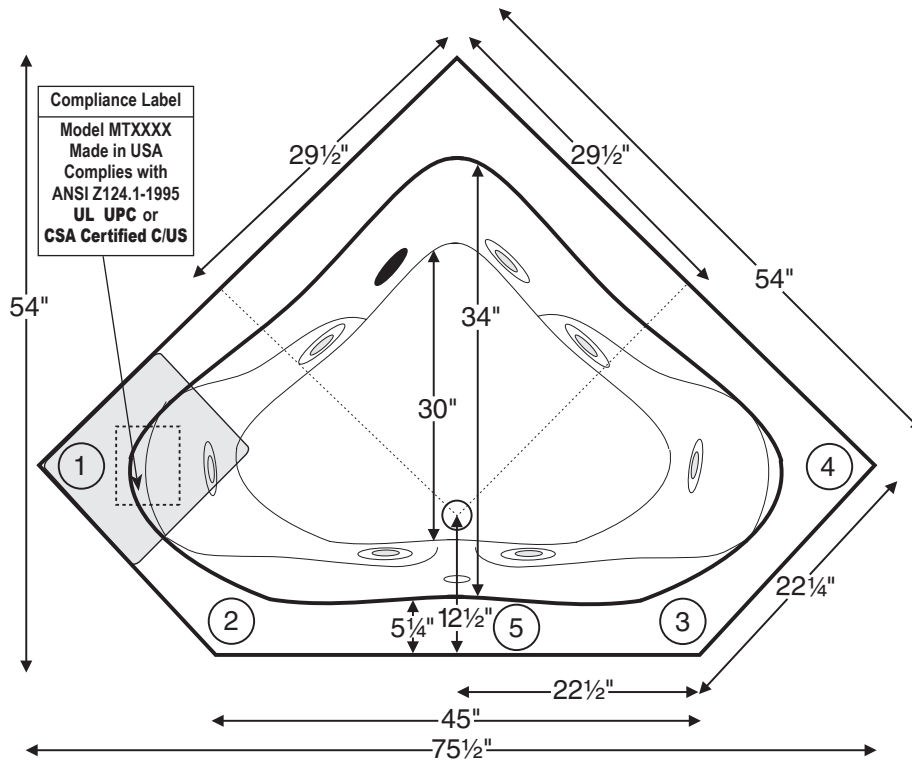
NOTE: See electrical specifications page for electrical requirements of options.

# Suwanee MTI-27

## 54" x 54" x 22.75"

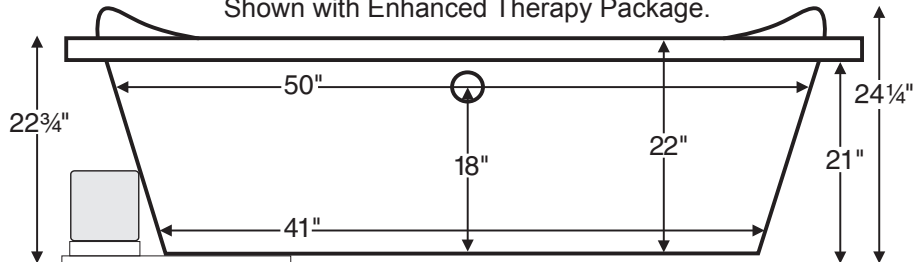


Shown with Standard Therapy Package.



Numbered locations on tub deck are possible Fill-Flush, Hand-Held Shower or Breda locations.

Shown with Enhanced Therapy Package.

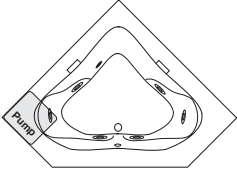
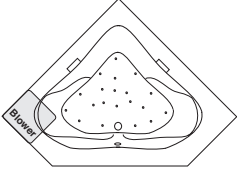
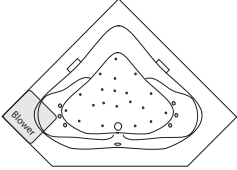


**INSTALLATION:** Add 1/2"-1" to height of tub for bedding compound. MTI recommends Quickrete Sand Mix. **Air Baths add approximately 2" to height of tub.** Please measure tub before building tub decking. Suction and control locations may vary. Drawing shows best pump location. Alternate locations available—call MTI for details. Measurements are ± 1/2" and are subject to change without notice. Data herein supersedes all previous prior to publication date shown below. Tubs with more than one pump or blower will require additional service access.



# Suwanee MTI-27

54" x 54" x 22.75"

Soaker / Whirlpool	Soakers (S27)	Standard Whirlpool Standard Therapy (P27)	Enhanced Whirlpool Enhanced Therapy (E27)
 Shown with Standard Therapy Package.	Soaker	6 point-massage jets, 1.25 bhp pump	7 point-massage jets, 2 bhp pump and an inline heater
	<b>\$1,399</b>	<b>\$2,629</b>	<b>\$3,291</b>
System Aria	Air Bath (AST27)	Air Whirlpool (AW27)	Air Enhanced (AEW27)
 Adds approximately 2 inches to height.	20 air jets, aromatherapy diffusion, heated blower and a pre-leveled foam base	6 point-massage jets, 1.25 bhp pump, 20 air jets, aromatherapy diffusion, heated blower and a pre-leveled foam base	7 point-massage jets, 2 bhp pump, an inline heater, 20 air jets, aromatherapy diffusion, heated blower and a pre-leveled foam base
	<b>\$3,320</b>	<b>\$4,576</b>	<b>\$5,271</b>
System Aria Elite	Aria Elite Bath (AE27)	Aria Elite Whirlpool (AEAP27)	Aria Elite Enhanced (AEAE27)
 Adds approximately 2 inches to height.	20 air jets, aromatherapy diffusion, six 7-port lateral jets (42 air streams), 2 LED lights, heated blower and a pre-leveled foam base	6 point-massage jets, 1.25 bhp pump, 20 air jets, aromatherapy diffusion, six 7-port lateral jets (42 air streams), 2 LED lights, heated blower and a pre-leveled foam base	7 point-massage jets, 2 bhp pump, an inline heater, 20 air jets, aromatherapy diffusion, six 7-port lateral jets (42 air streams), 2 LED lights, heated blower and a pre-leveled foam base
	<b>\$4,511</b>	<b>\$5,777</b>	<b>\$6,435</b>

## CONSTRUCTION

- Cross-linked cast acrylic shell.
- Thick fiberglass/resin/titanium reinforcement.
- Integrated metal reinforcement in tub decking.
- Lifetime Residential Warranty.

## COLORS

**Standard:** White, Bone, Biscuit, Almond

**Optional:** Over 40. Call for availability. Tub category: M

## OPTIONS

### For Soakers, Air Baths and Whirlpools:

- Quick Ship/Priority. Call for availability. (QSPRI) \$260
- Radiance® See p K-1
- Virtual Spout See p C-32
  - With atmospheric vent backflow preventer (FPMJ) \$212
  - With dual check valve backflow preventer (FPMJW) \$212
- Inline Heater Installed / Soaker and Air Bath (HTISOAK) \$699
- Tub Shield frameless enclosure N/A
- Metal Grab Bars Upgrade, Straight (set of 2) N/A
  - Chrome (GBUPC)
  - Brushed Nickel (GBUPBN); Brass (GBUPB)
  - Special Finishes (GBUPSF)
- Acrylic Grab Bars, Curved (set of 2) \$192
  - White (GBCW); Bone (GBCB); Almond (GBCAL);
  - Biscuit (GBCBS); Clear w/ Chrome Accents (GBCAC);
  - Clear w/ Brass Accents (GBCBAC);
  - Clear w/ Brushed Nickel Accents (GBCAB)
- Metal Grab Bars, Modern Straight 9" (set of 2) \$228
  - Chrome (GBMS9C); Brushed Nickel (GBMS9BN);
  - Polished Nickel (GBMS9PN)
- Metal Grab Bars, Curved (set of 2) \$228
  - Chrome (GBMCC); Brushed Nickel (GBMCPN);
  - Polished Nickel (GBMCPN)
- Waste & Overflow Kits
  - Lift & Turn White (WOW) \$120
  - Lift & Turn Chrome (WOC) \$72
  - Lift & Turn Brushed Nickel (WOBN) \$145
  - Cable Driven White, Bone, Biscuit, Almond (WOCDW) \$213
  - Cable Driven Chrome (WOCDB) \$224
  - Cable Driven Brass (WOCDBR) \$300
  - Cable Driven Oil Rubbed Bronze (WOCDBR) \$300
  - Cable Driven Brushed Nickel (WOCDBN) \$280
  - Cable Driven Polished Nickel (WOCDPN) \$300
  - Cable Driven Special Finish (WOCDSF) \$400

N/C	Toe-Tap Chrome (WOTTC)	\$150
See p J-1	Toe-Tap Brushed Nickel (WOTTBN)	\$175
	Toe-Tap Polished Nickel (WOTTPN)	\$175
	Toe-Tap Oil Rubbed Bronze (WOTTOR)	\$225
	Toe-Tap Special Finish (WOTTSF)	\$325
	• Textured Non-Slip Bottom (TXTBTM) meets ASTM F-462-1994	\$63
	• Mood Light (ML)	\$250
	• Chromotherapy: digitally controlled LED lighting (LE)	\$475
	• Pillows: various shapes and sizes	See p C-18
	• Hand-Held Showers, factory installed	See p C-16
	• Integral Tile Flange 2 sides (ITF)	\$200
	• Tile Flange Kit Factory-Installed 2 sides – Rigid ABS (TFKC)	\$168
	• Tile Flange Kit Field-Installed 2 sides – Rigid ABS (TFKNI)	\$78
	• Pre-leveled Foam Base (PLFOAM) [standard with air baths]	\$139
	• Pre-Leveled Frame and Foam Base (PLFC)	\$420
	• Skirting w/ Tub (For non-standard colors of acrylic skirts, see p J-1 for pricing.)	
	3 PC Paintable Wood Skirt (SKCW4)	\$280
	3 PC Stainable Wood Skirt / Cherry (SKCC4)	\$1,629
	3 PC Stainable Wood Skirt / Oak or Maple (SKOC4)	\$1,329
	One-Piece Acrylic Raised Panel (SKAO5)	N/A
	Acrylic Raised Panel-Look w/ Removable Panels (SKAR5)	N/A
	Acrylic Euro-Style w/ Removable Panels (SKE5)	N/A
	Euro-Style Acrylic Skirt/Frame Combo (SKAC4)	\$918
	<b>For Whirlpools:</b>	
	• Trim Kits (Special finishes for whirlpools see p C-31.)	
	Chrome (TRC)	\$168
	Brass (TRBR)	\$269
	Brushed Nickel (TRBN); Polished Nickel (TRPON)	\$336
	Oil Rubbed Bronze (TROR) (See p C-31 for details.)	\$499
	Special Finish (TRSF)	\$1,094
	• Neck Jet Pillows: Rectangular (PINJPR); Oval (PINJPO)	\$350
	• Pump Upgrades	
	2 bhp (PUMP2)	\$144
	3 bhp (PUMP3)	\$223
	• Inline Heater Installed / Whirlpool (HTI)	\$466
	• Low Water Sensor/Timer (TF1)	\$370
	• Rotary Jets: Can be substituted for Point-Massage Jets (max 2)	See p C-34
	• Additional Point-Massage Jets (EJ)	\$235
	• Micro-Jets	See p C-35
	• Cleaning Systems (See p C-7)	
	Fill-Flush® without valves (FFSO)	\$559
	Simple Touch® without valves (FFE)	\$640
	• Breda Valve (Atmospheric Vent Only)	See p C-8
	• Breda Valve (Diverter)	See p C-8
	• Ozonator Bath Sanitation System (OZONE)	\$499