

Glo/Prism Bay Multi-Bay 22" Series

ORDERING INFORMATION

Catalog Number: Example: MBG22400MAA-1

MBG					
FIXTURE	REFLECTOR SIZE	WATTAGE	LAMP SOURCE	OPTIONS	VOLTAGE
MBG -Open Glo Bay	22-22"	150-150W 175-175W 200-200W 250-250W 320-320W 350-350W 400-400W	MA -Metal Halide (HPF-CWA)* LX -High Pressure Sodium (HPF-CWA) LR -Linear Reactor pulse start Metal Halide 277V only* PMA -Super constant wattage auto regulated pulse start Metal Halide*	A -Hot/Cold start B -Hot/Cold start C -Switch-on auxiliary D -Switch-on auxiliary F -Fusing G -Fusing J -Wiring K -Wiring Z -Bi-Level OR -Open rated	1-120V 2-208V 3-240V 4-277V 5-480V 8-120V 208V 240V 277V

*Requires open-rated lamp or enclosed optics.
**250W maximum with dustcap, see page 4A.

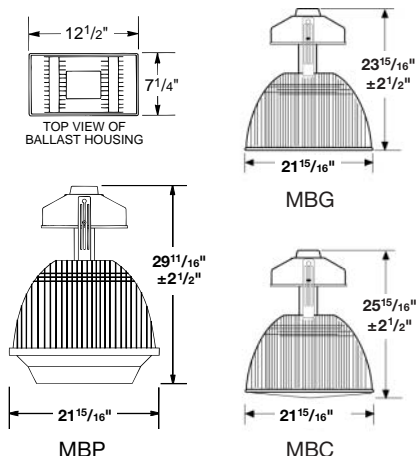


PRODUCT SPECIFICATIONS

- Glo/Prism Bay fixtures are typically used in aisles, corridors, warehouses and stockrooms, providing high vertical illumination.
- Universal light-weight, easy to handle die-cast aluminum ballast housing finned for maximum heat dissipation, finished in Duraplex II gray polyester powder.
- Ballast assembly clamped in die-cast aluminum housing permits full flow-through ventilation for maximum cooling of all components.
- Capacitors are nested within integral "outboard" pods, vented "air-flow" construction isolates heat-sensitive capacitors from heat-generating core.
- Injection molded high impact UV stabilized acrylic reflector/refractor provides high vertical footcandle yielding high spacing ratio.
- Unique ballast housing design includes integral roomy splice box with cover and quick mounting plate.
- Rugged die-cast plate tapped 3/4"-14 NPS, accepts 3/4" pipe or 714S, 715NEW, and 725S hooks.
- Unit slips onto mounting plate leaving both hands free for wiring.
- Deluxe glazed porcelain lamp socket pulse-rated for 4KV.
- For use in open air ambient.

TECHNICAL INFORMATION

Multi-Bay Glo/Prism Bays use mogul base lamps. Lamps available but not supplied with fixture. High Pressure Sodium 250W and 400W units use E18. Metal Halide 175W units use E/BT28, 250W units use E/BT28, and 400W units use E/BT37 and E18. For use in open air applications only, up to 40° Celsius ambient.



OPTION DETAILS

- A**-Hot and cold start auxiliary external 150W medium base PAR lampholder, used until HID lamp reaches 70% of brightness.
- B**-Hot and cold start auxiliary interior 250W Bayonet base, used until HID lamp reaches 70% of brightness.
- C**-Switch-on auxiliary external 150W medium base PAR lampholder operating from secondary 120V source when HID circuit is "knocked out" by momentary voltage drop.
- D**-Switch-on auxiliary interior 150W DC Bayonet base, operating from secondary 120V source when HID circuit is "knocked out" by momentary voltage drop.
- F**-Heavy duty fuse in external holder for 120V, 277V, single
- G**-Heavy duty fuse in external holder for 208V, 240V, 480V, double
- J**-3' 3-conductor approved cable (16-3) with 15 amp Twist plug with proper NEMA configuration, includes open-loop hook.
- K**-3' 3-conductor approved cable (16-3) with 20 amp Twist plug with proper NEMA configuration, includes open-loop hook.
- Z**-Bi-Level high/low switching of HID lamps for maximum energy savings.

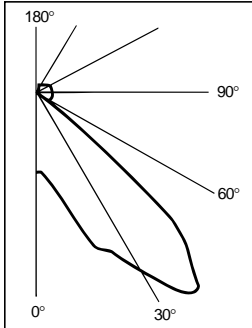
Accessories - See page 4-A



UL Damp Location Listed.
UL File Number: E86021

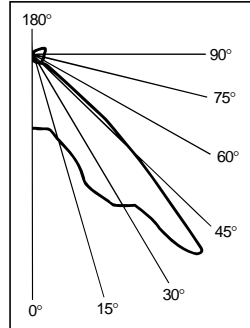
PHOTOMETRICS

See page 4-C for complete CU tables



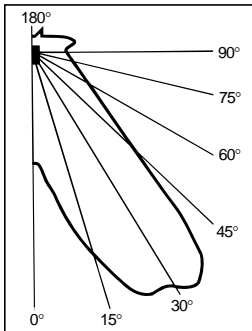
MBG22400MA
 LAMP: 400W Metal Halide, Clear
 LUMENS: 36,000
 Report # ST92049
 EFF: = 90.2%
 S/MH = 1.6

CANDLEPOWER DISTRIBUTION	
Deg.	CP
0	5415
5	5227
15	5897
25	11370
35	13797
45	8991
55	1789
65	1097
75	1043
85	1101
90	937
95	1046
105	1133
115	911
125	416
135	257
145	283
155	786
165	331
175	394
180	402



MBG22400XL
 LAMP: 400W HPS, Clear
 LUMENS: 50,000
 EFF: = 90.2%
 S/MH = 1.7

CANDLEPOWER DISTRIBUTION	
Deg.	CP
0	6480
5	6635
15	10305
25	14461
35	19989
45	16591
55	2404
65	1305
75	1277
85	1274
90	1297
95	1294
105	1369
115	1005
125	444
135	342
145	800
155	755
165	369
175	336
180	416



MBP22400MA
 LAMP: 400W Metal Halide, Clear
 LUMENS: 36,000
 Report # ST92050
 EFF: = 90.2%
 S/MH = 1.6

CANDLEPOWER DISTRIBUTION	
Deg.	CP
0	4377
5	4632
15	7626
25	10272
35	10684
45	5354
55	2819
65	1890
75	1555
85	1366
90	1214
95	1405
105	1620
115	1382
125	994
135	881
145	724
155	1008
165	545
175	633
180	641

SUGGESTED SPECIFICATIONS

Fixture shall be indoor heavy-duty luminaire. HID fixture shall include integral constant wattage high power factor autotransformer ballast (specify voltage, wattage, source), securely clamped in die-cast aluminum housing. Capacitors are nested within integral "outboard" pods. Vented "air-flow" construction isolates heat-sensitive capacitors from heat-

generating core.

Fixture shall be equipped with deluxe glazed porcelain socket with nickel plated vibration proof "lamp-grip" socket and spring-loaded center contact. Socket in H.P. Sodium units shall be pulse-rated at 4KV.

Fixture shall be supplied with 22" injection molded high impact UV stabilized pris-

matic acrylic reflector/refractor provides high vertical footcandles yielding a 1.8 to 1 spacing ration. Unit can be enclosed with 22" acrylic lens. (Specify optional features desired.)

Fixture shall be UL-listed as "suitable for damp locations".

Fixture shall be Stonco Cat. No. (specify).