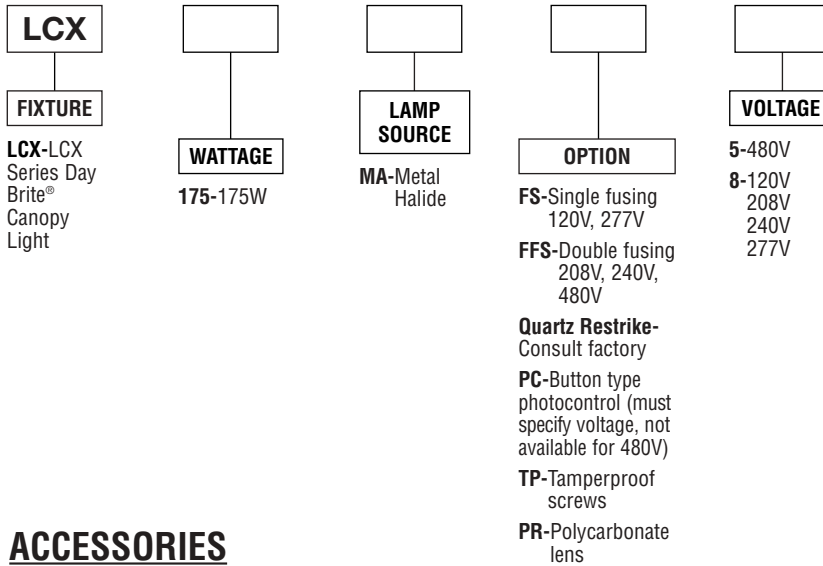


LCX Series Canopy Light

ORDERING INFORMATION

Catalog Number: Example: LCX175MA-8



PRODUCT SPECIFICATIONS

- Stonco's LCX Series is well suited for low ceiling installations under 15 feet.
- Produces white light for enhanced visibility.
- Increases safety conditions.
- Durable and resilient.
- Mounts directly to 3-1/2" octagon or 4" square outlet box.
- Knockout provided for surface conduit in three convenient locations.
- U.L. listed for wet locations.
- Architectural dark bronze finish.
- Mogul base BT28 MH lamp not supplied.

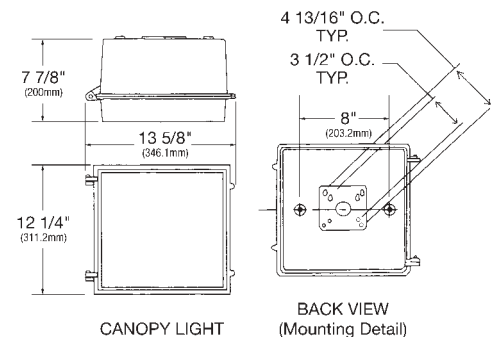
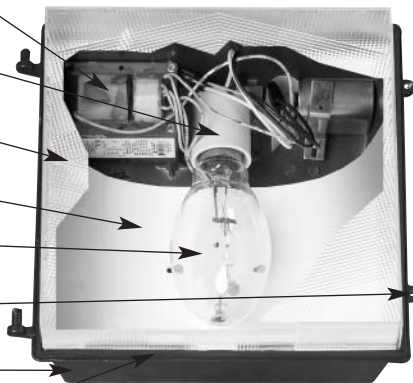
ACCESSORIES

LCX552-Replacement lens.

TECHNICAL INFORMATION

Features

- Multi-Tap ballasts suitable for field selection of 120V, 208V, 240V or 277V applications.
- Glazed porcelain mogul base sockets pulse-rated for 4KV.
- Acrylic cover designed for heat and impact resistance.
- Stamped white reflector for greater illumination.
- 175-watt Metal Halide lamp. (not included)
- All exposed hardware is stainless steel.
- Die-cast aluminum construction dissipates heat and resists corrosion.
- Housing fully gasketed.



UL Wet Location Listed.

PHOTOMETRICS

44'	4	7	12	16	16	18	17	17	18	16	16	12	7	4
40'	5	9	15	26	32	28	21	21	28	32	26	15	9	5
36'	6	9	15	33	46	36	22	22	36	46	33	15	9	6
32'	5	9	15	26	31	28	21	21	28	31	26	15	9	5
28'	4	7	12	16	16	18	17	17	18	16	16	12	7	4
24'	4	6	9	11	11	13	13	13	13	11	11	9	6	4
20'	4	7	12	16	15	18	17	17	18	16	16	12	7	4
16'	5	8	15	26	31	28	21	21	28	31	26	15	8	5
12'	5	8	15	32	45	35	21	21	35	45	32	15	8	5
8'	5	8	14	25	30	27	20	20	27	30	25	14	8	5
4'	4	6	10	14	13	15	14	14	15	13	14	10	6	4
	4'	8'	12'	16'	20'	24'	28'	32'	36'	40'	44'	48'	52'	56'

LCX175MA-8
 DISTRIBUTION: Symmetrical IES Type V
 MOUNTING HEIGHT: 10'
 SPACING/MOUNTING HEIGHT RATIO: 3.4
 EFFICIENCY: 81.1%

FOOTCANDLE CORRECTION

Multiply the following factors times the footcandle values for changes in mounting height.

To Change from 10'				
New Height	8'	10'	12'	14'
Factor	1.56	1.00	.69	.51

MOUNTING HEIGHT FACTORS FOR OTHER THAN 20 FEET

USE TABLE OR:
 FACTOR = $\frac{100}{(\text{Actual Mtg Height})^2}$

DISTANCES ARE SHOWN IN UNITS OF MOUNTING HEIGHTS

SUGGESTED SPECIFICATIONS

Fixture housing shall be precision die-cast aluminum and finished in Duraplex II™ polyester powder.

Fixture shall be UL listed for wet locations. Fixture optics shall be high impact acrylic or polycarbonate as specified and shall be held captive with 4 stainless steel screws. Reflector shall be die-formed white steel painted white for high reflectivity

Fixture efficiency shall be 81.1% with a minimum spacing criteria of 3.4.

Fixture shall be pre-lamped and ready for installation.

Fixture shall be capable of either ceiling or pendant mounting as required and shall be equipped with a galvanized steel Quick-mount Plate which adapts to most ceiling boxes or pendants with boxes.

Fixture shall be equipped to accept mogul base Metal Halide lamps. Units will be equipped with a premium porcelain socket pulse-rated for 4KV.

Fixture shall be supplied with CWA, HX-HPF or NPF ballasts as specified.

Fixture shall be capable of thru wiring. Fixture shall be Stonco Cat. No. (specify).