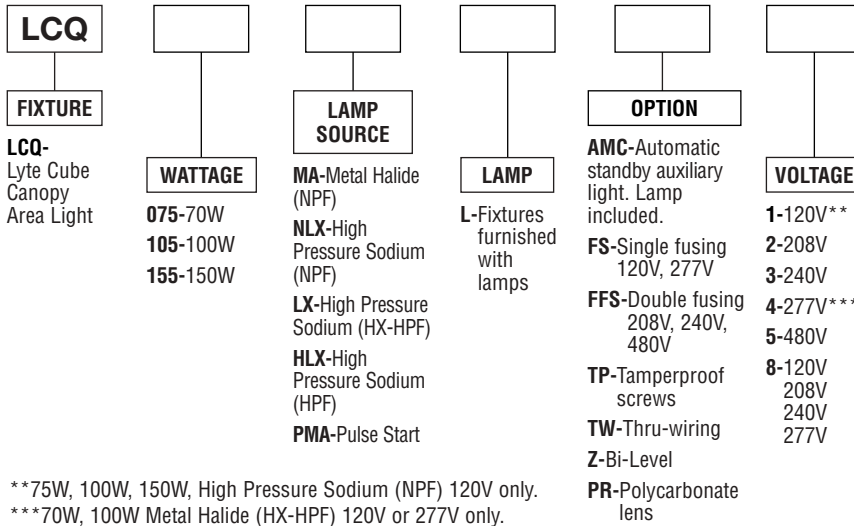


# LCQ Lyte Cube



## ORDERING INFORMATION

Catalog Number: Example: LCQ155MALTW-8



\*\*75W, 100W, 150W, High Pressure Sodium (NPF) 120V only.  
\*\*\*70W, 100W Metal Halide (HX-HPF) 120V or 277V only.

## PRODUCT SPECIFICATIONS

- LCQ Canopy/Area lights are recommended for ceiling or canopy mounted installations where heights do not exceed 15 feet. Typical areas include parking garages, strip shopping mall walkways, maintenance areas, industrial corridors, low ceiling warehouses and storage areas or walk-up windows.
- Precision die-cast aluminum housing, finished in Duraplex II bronze polyester, acts as a heat sink for maximum heat dissipation.
- Quick-mount plate permits easy mounting over most steel or aluminum recessed boxes, pendant or ceiling mounting.
- Hydroformed aluminum reflector with specular finish for high reflectivity and maximum lamp utilization.
- Polycarbonate refractor provides beam control (55-60°s) and glare-free illumination in IES Type V pattern. Spacing ratio 3.4 to 1.
- Fixture hinges on mounting plate allowing both hands free for wiring.
- Simple installation, fixture is pre-lamped and does not have to be opened to be installed. Hang, mount, wire, and lock into place.
- LCQ units equipped with deluxe porcelain 4KV socket.

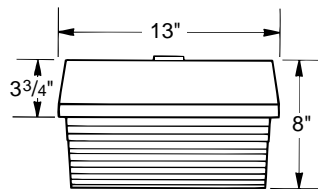
## ACCESSORIES

- 75**-4" round cast aluminum box with 4 side holes tapped 1/2" NPS for thru-wiring
- 753**-4" round cast aluminum box with 4 side holes tapped 3/4" NPS for thru-wiring.
- LCQ552**-Replacement Lens Kit.
- LCQGUARD**-Wireguard.

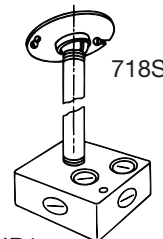
- UJB1**-4-1/2" x 4-1/2" x 2" cast aluminum box with four 3/4" NPS tapped holes on side.
- HSK**-Hang straight kit for sloped ceilings or use with pendant. Includes universal junction box (UJB1) and ball and swivel aligner (718S).

## TECHNICAL INFORMATION

LCQ fixtures come pre-lamped a clear medium base lamp. High Pressure Sodium units use E/B17. Metal Halide use medium base ED17. All lamps installed in fixture in a vertical orientation.



3.4 Spacing Ratio

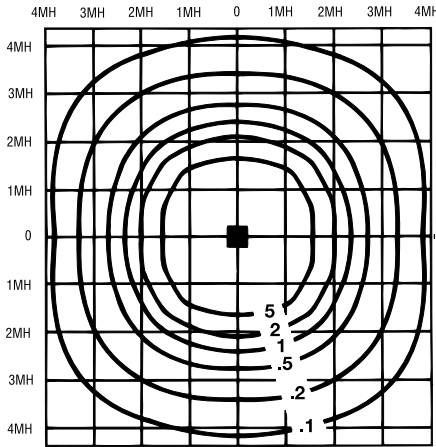


UJB1



UL Wet Location Listed.  
UL File Number: E86021

## PHOTOMETRICS



**LCQ155LXL**  
 DISTRIBUTION: Symmetrical IES Type V  
 MOUNTING HEIGHT: 10'  
 SPACING/MOUNTING HEIGHT RATIO: 3.4  
 EFFICIENCY: 78.8%

### FOOTCANDLE CORRECTION

Multiply the following factors times the footcandle values for changes in mounting height.

To Change from 10'	8'	10'	12'	14'
New Height	8'	10'	12'	14'
Factor	1.56	1.00	.69	.51

### FOOTCANDLE CORRECTION

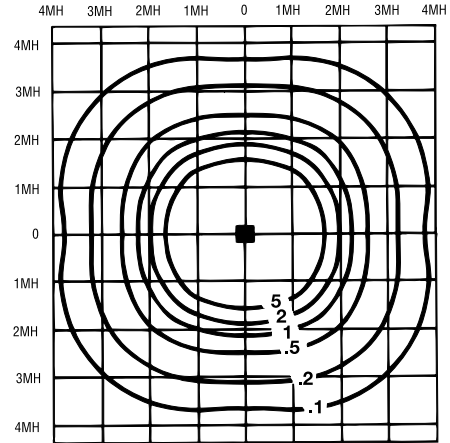
#### Different Lamps/Watts

Multiply the following factors times the footcandle values for changes in mounting height.

70W HPS	.40	70W MA	.41
100W HPS	.59	100W MA	.58
150W MA	1.00	150W MA	1.00

MOUNTING HEIGHT FACTORS FOR OTHER THAN 10 FEET USE TABLE OR:  
 FACTOR =  $\frac{100}{(\text{Actual Mtg Height})^2}$

DISTANCES ARE SHOWN IN UNITS OF MOUNTING HEIGHTS



**LCQ155MAL**  
 DISTRIBUTION: Symmetrical IES Type IV  
 MOUNTING HEIGHT: 10'  
 SPACING/MOUNTING HEIGHT RATIO: 3.4  
 EFFICIENCY: 81.1%

### COEFFICIENTS OF UTILIZATION—ZONAL CAVITY METHOD

EFFECTIVE FLOOR CAVITY REFLECTANCE = .20

rC	.8		.7		.5		.3		.1		.0	
	rW	.7	.5	.3	.1	.0	rW	.7	.5	.3	.1	.0
RCR												
0	92	92	92	88	88	88	81	81	81	75	75	75
1	81	76	72	68	78	73	69	66	67	64	61	62
2	72	64	57	52	68	61	55	50	56	51	47	51
3	64	54	46	40	60	51	44	38	47	41	36	43
4	57	46	37	31	54	44	36	30	40	33	28	36
5	51	39	31	25	48	37	30	24	34	27	22	31
6	46	34	26	20	44	33	25	19	30	23	18	27
7	42	30	22	17	40	29	21	16	26	20	15	24
8	39	27	19	14	37	26	18	13	23	17	13	21
9	36	24	17	12	34	23	16	11	21	15	11	19
10	33	22	15	10	32	21	14	10	19	13	9	17

### COEFFICIENTS OF UTILIZATION—ZONAL CAVITY METHOD

EFFECTIVE FLOOR CAVITY REFLECTANCE = .20

rC	.8		.7		.5		.3		.1		.0	
	rW	.7	.5	.3	.1	.0	rW	.7	.5	.3	.1	.0
RCR												
0	95	95	95	95	92	92	92	84	84	84	78	78
1	85	80	76	72	81	77	73	69	70	67	64	65
2	75	67	60	54	71	64	58	53	59	54	49	54
3	67	56	48	42	63	54	47	41	49	43	38	45
4	60	48	40	33	56	46	38	32	42	35	30	38
5	54	41	33	26	51	40	32	26	36	29	24	33
6	49	36	27	21	46	34	26	21	31	25	19	29
7	44	32	23	18	42	30	23	17	28	21	16	25
8	41	28	20	15	38	27	19	14	25	18	13	22
9	38	25	18	13	36	24	17	12	22	16	11	20
10	35	23	16	11	33	22	15	10	20	14	9	18

## SUGGESTED SPECIFICATIONS

Fixture housing shall be precision die-cast aluminum and finished in Duraplex II™ polyester powder.

Fixture shall be UL listed for wet locations.

Fixture optics shall be high impact acrylic or polycarbonate as specified and shall be held captive with 4 stainless steel screws. Reflector shall be hydroformed aluminum.

Fixture efficiency shall meet or exceed

78.8% with a minimum spacing criteria of 3.4.

Fixture shall be pre-lamped and ready for installation.

Fixture shall be capable of either ceiling or pendant mounting as required and shall be equipped with a galvanized steel Quick-mount Plate which adapts to most ceiling boxes or pendants with boxes.

Fixture shall be equipped to accept medium base High Pressure Sodium or Metal Halide lamps. Units will be equipped with a premium porcelain socket pulse-rated for 4KV.

Fixture shall be supplied with CWA, HX-HPF or NPF ballasts as specified.

Fixture shall be capable of thru wiring.

Fixture shall be Stonco Cat. No. (specify).