

35" FARMER SINK

Cat. No.
FS32



Top: 35 1/8"W x 24 5/8"D

Base: 35"W x 24 1/8"D

Height: 7 1/4"

Basin wall thickness: 7/8"

Lip on upper back of basin:

Height: 3/8"

Width: 5/8"

Interior Dimensions:

Top (Lg): 23 1/2"W x 20"D

Base (Lg): 23"W x 19 3/8"D

Top (Sm): 9 1/4"W x 15 7/8"D

Base (Sm): 9"W x 15 1/4"D

Basins Depth: 6 1/8"

Features:

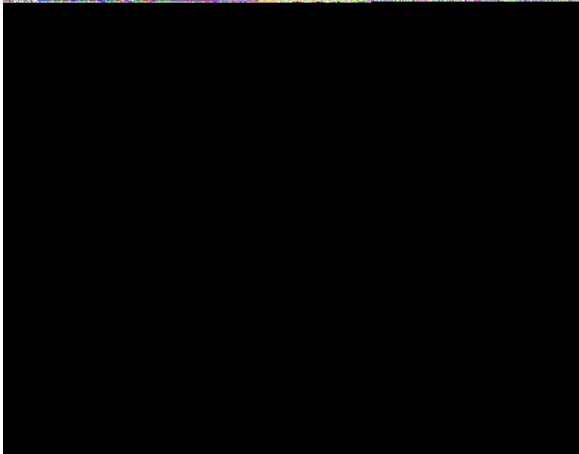
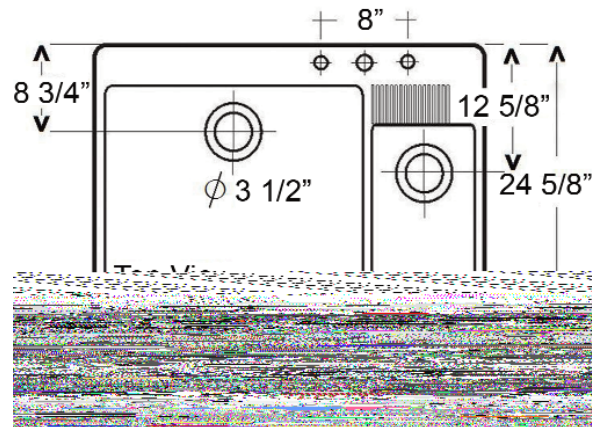
- ▶ Fine Fire Clay for Durability
- ▶ Can be Used with Garbage Disposals
- ▶ Flange Extension Not Required
- ▶ Basin has lip in back
- ▶ Customer to specify quantity and location for holes. Can be drilled with up to 6 holes. Add \$40 for each hole over 4.

Colors:

WH White

BQ Bisque

Compliance Certification
Meets or exceeds the following specifications: ASME 112.19.9M for fine fire clay for durability.



Dimensions of fixture are nominal and may vary within the range of tolerances established by ANSI Standard A112.19.2. Dimensions and specifications subject to change without notice.