

67" CAST IRON DOUBLE ROLL TOP TUB

Cat. No.
CTDRH



L: 67 3/4"
W: 31"
H: 23 1/4" (from floor to top of tub)
18 1/2" (from bottom of tub to top
of tub)

Slope: 30°

**The following is recommended for
CTDRH tubs with deck holes:**

- Rim-mounted faucet: part #4601
- Straight bath supplies: part #5577
- Leg tub drain: part #5599



**All CTDRH tubs have 7" deck holes in the center
of long side of tub.**

Gallon Capacity:	55 1/2
Shipping Weight:	570 lbs.
Empty Weight:	350 lbs.
Filled Weight:	783 lbs.

Features:

- ▶ Inside finish: White enamel
- ▶ Ball and Claw Feet available in 6 finishes or unfinished
- ▶ Tub exterior available in white (epoxy) or unfinished (gray primer)
- ▶ Non-skid strips
- ▶ Feet are attached and leveled before shipment
- ▶ Tub is thoroughly inspected before shipment
- ▶ Cast iron base available

Foot Finishes:

- BP** Polished Brass
- CP** Polished Chrome
- PN** Polished Nickel
- SN** Brushed Nickel
- WH** White
- ORB** Oil-rubbed Bronze

Compliance Certification
Meets or exceeds the following
specifications: A112-19-1M
1994.

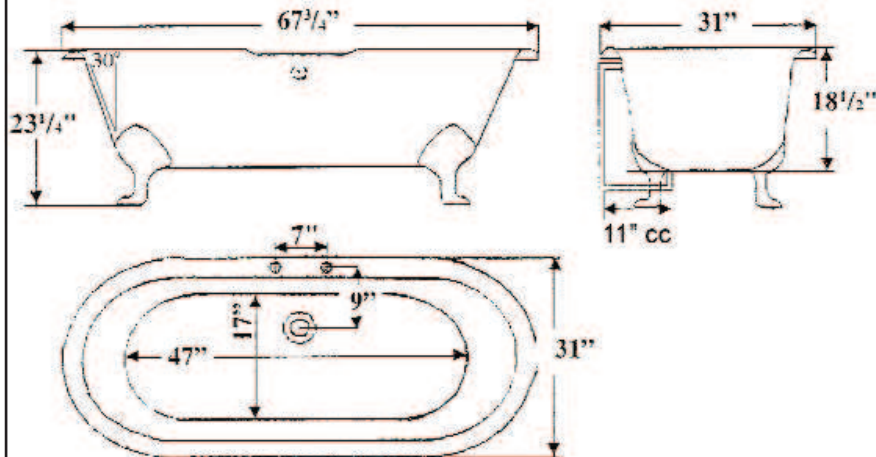
Extra Paint Charge (inside of tub is always white enamel):

Bisque Paint - \$160

Black Paint - \$160

Bathtubs painted in bisque or black are considered "special order" and are not returnable.

Bisque or black painted feet are available for the same price as white feet.



Dimensions of fixture are nominal and may vary within the range of tolerances established by ANSI Standard A112.19.2. Dimensions and specifications subject to change without notice.