

STANFORD 660 PEDESTAL LAVATORY

Cat. No.
3-84X



Faucet not included

W: 25 7/8"
D: 20 1/2"
Total Height: 35 3/4"
Height to top of the sink: 33 3/4"
Flange: 1 5/8"

Interior Dimensions:

Basin Interior: 21 3/8" x 12 3/4"
Basin Depth: 5 7/8"
Back of basin to center of faucet: 3"
Back of basin to center of drain: 7 1/2"
Mount bolts height: 31 1/8"
Mount holes cc: 11 7/8"
Faucet and spout holes: 1 1/8" (4")
1 3/8" (8")

Features:

- ▶ Made of Vitreous China
- ▶ Available for 4" CC or 8" Widespread
- ▶ Overflow
- ▶ Can Be Installed Using Toggle or Molly Bolts (not included)

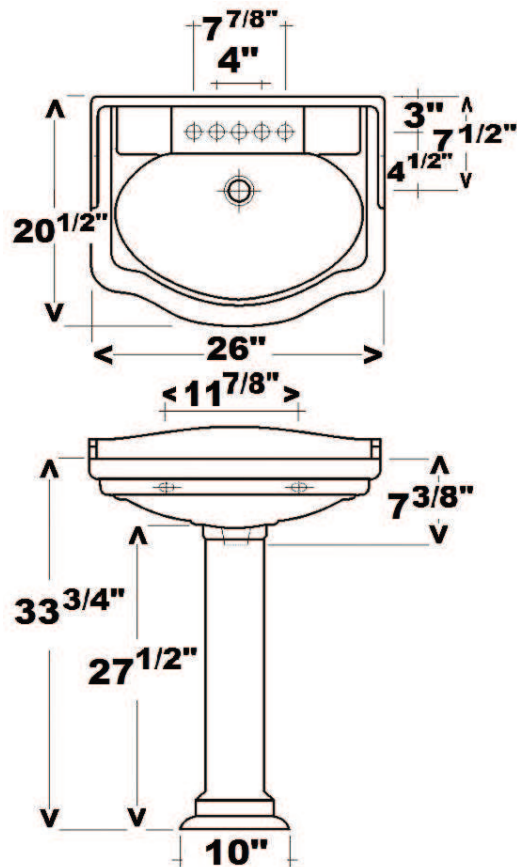
*For ease of installation, order one of the following:

1. Hangers (pair) \$4.75
2. Bracket (one) \$11.50

Colors:

WH White
BQ Bisque

Compliance Certification
Meets or exceeds the following specifications: ASME A112.19.2:2008 and CSA B45.1-08 for ceramic plumbing fixtures.



Dimensions of fixture are nominal and may vary within the range of tolerances established by ASME Standard A112.19.2-2008. Dimensions and specifications subject to change without notice.