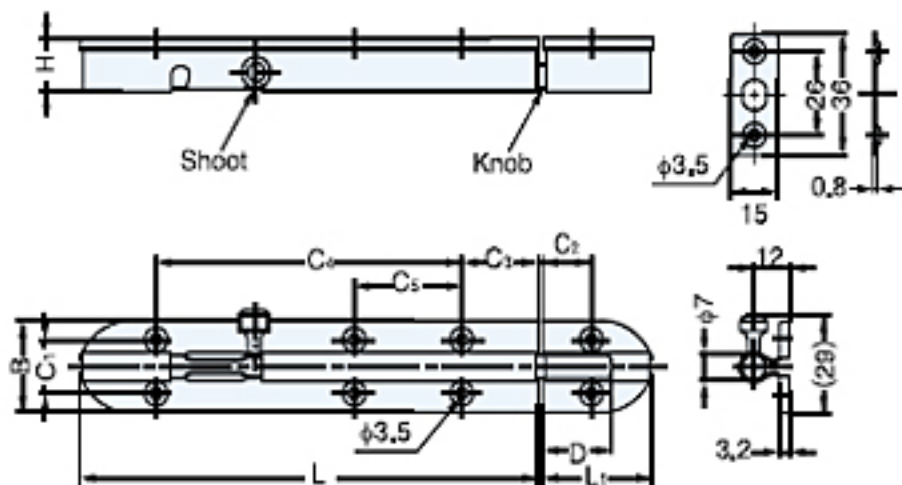


BARREL BOLT

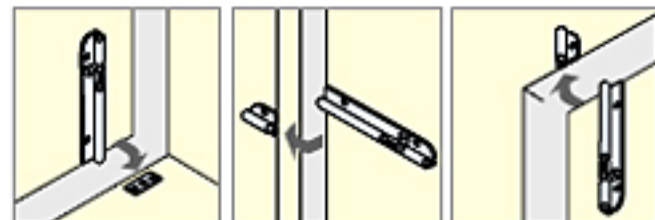


BS-90, 150, 240



BS-240

Part Name	Material	Finish
Body and Plates	304 Stainless Steel	Stain
Bolt and Knob	Brass	Nickel



Installation

Item No.	L	L ₁	H	B	C ₁	C ₂	C ₃	C ₄	C ₅	C ₆	D	Weight (g)	Box (pcs)	Carton (pcs)
BS- 90	90 (3-35/64")	36(1-27/64")	16.5	27(1-1/16")	16	15	14.5	58	-	24	85	30	300	
BS-150	150 (5-29/32")	36(1-27/64")	16.5	27(1-1/16")	16	15	25	100	-	24	125	20	200	
BS-240	240 (9-29/64")	36(1-27/64")	16.5	27(1-1/16")	16	15	18.5	192	71	30	190	10	100	