

SPRING LOADED BAR LATCH



BLL

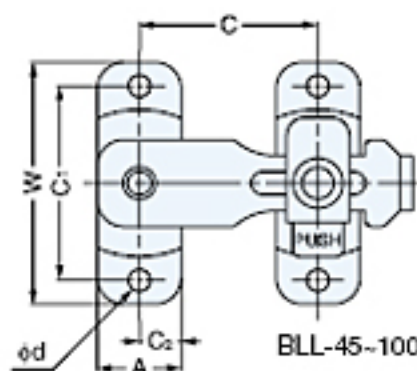
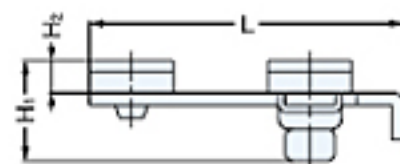


BLL-100

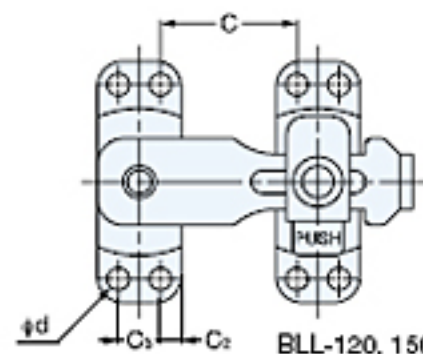


BLL-45

PAT



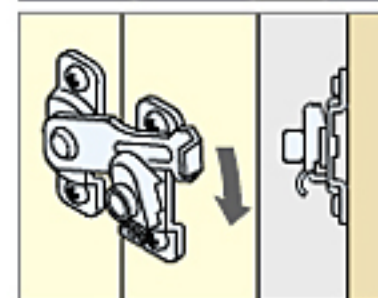
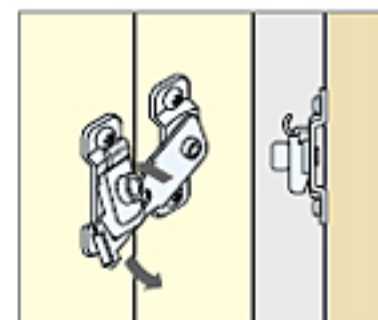
BLL-45-100



BLL-120, 150

- Latch bolt snaps into the strike to prevent accidental release.
- Push tab on strike to release.

Material	Finish
304 Stainless Steel	Polished



Installation

Item No.	L	W	A	C ₁	C ₂	C ₃	H ₁	H ₂	C	d	Weight (g)	Box (pcs)	Carton (pcs)	Screw
BLL- 45	46 (1-57/64")	40 (1-37/64")	13	32	6.5	-	17	4.5	23± 3 (29/32" ± 1/8")	3.2	28	20	400	3 ×10
BLL- 60	63 (2-31/64")	46 (1-13/16")	16	37	8	-	20	6	34± 4 (1-11/32" ± 5/32")	4.2	50	20	400	3.5 ×16
BLL- 80	85 (3-11/32")	65 (2-9/16")	20	53	10	-	22.5	7	47± 7 (1-27/32" ± 9/32")	5	100	10	200	4.5 ×16
BLL-100	105 (4-1/8")	80 (3-5/32")	25	66	12.5	-	26.5	8	59± 7 (2-21/64" ± 9/32")	5.5	182	10	100	5 ×20
BLL-120	127 (5")	100 (3-15/16")	28.5	80	6.75	15	28	8	56± 10 (2-13/64" ± 25/64")	6.2	270	8	80	5 ×20
BLL-150	155 (6-3/32")	120 (4-23/32")	30.5	95	7.25	16	28	8	74± 14 (2-29/32" ± 35/64")	6.2	350	6	60	5 ×20