

# STAINLESS STEEL TENSION CATCH

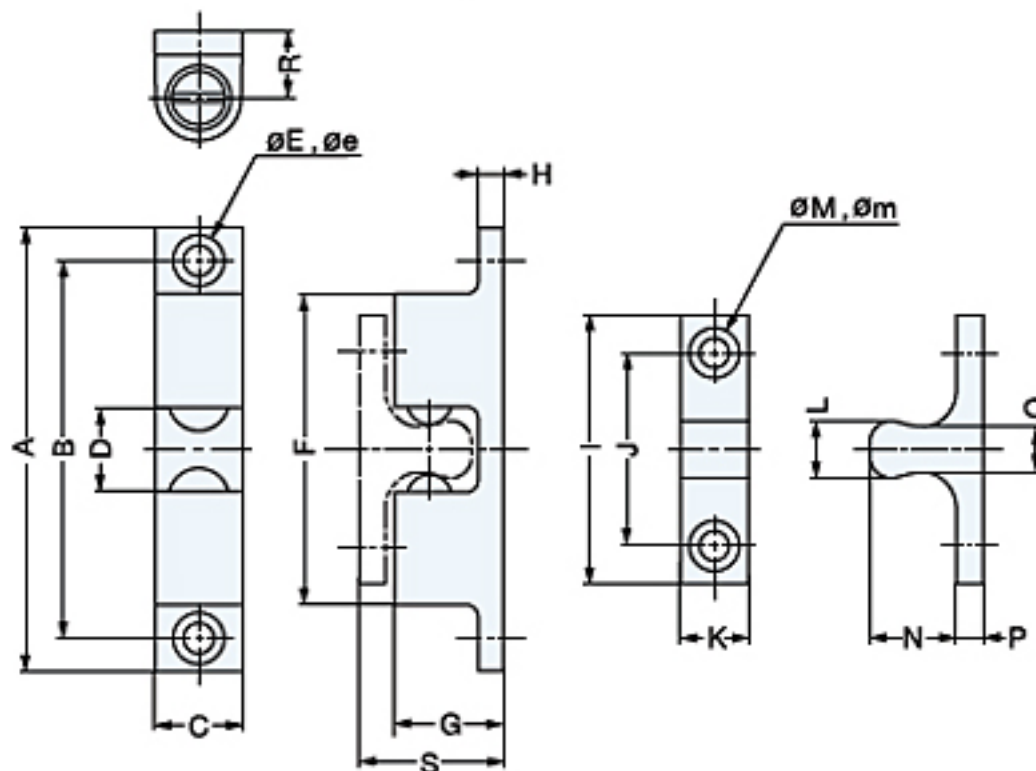


# BCTS-40, 50, 70



Material	Finish
316 Stainless Steel	Polished

\*Spring material:304 Stainless Steel.



Item No.	Push in Force (kg)		Pulling Force (kg)		Weight (g)	Box (pcs)	Carton (pcs)
BCTS-40	2.0	( 4.4 lbs )	1.3	( 2.9 lbs )	18	50	600
BCTS-50	2.3	( 5.0 lbs )	1.8	( 3.9 lbs )	30	50	600
BCTS-70	5.7	( 12.5 lbs )	3.9	( 8.5 lbs )	83	25	300

Item No.	A	B	C	D	E	e	F	G	H	I	J	K	L	M	m	N	P	Q	R	S
BCTS-40	43	35	8	5.9	3.2	6.2	28.4	10	2.5	25	16	7.5	4.5	3.2	6.2	8.5	2.5	2.7	6	13.5
BCTS-50	50	40	10	7.5	4.2	8.2	31.5	12.2	2.9	30	20	9	6	4.2	8.2	10.3	2.9	3.8	7.7	15.9
BCTS-70	70	60	13	13	4.2	8.2	51	17	4	42	30	10.5	10	4.2	8.2	15	4	8	10.5	23