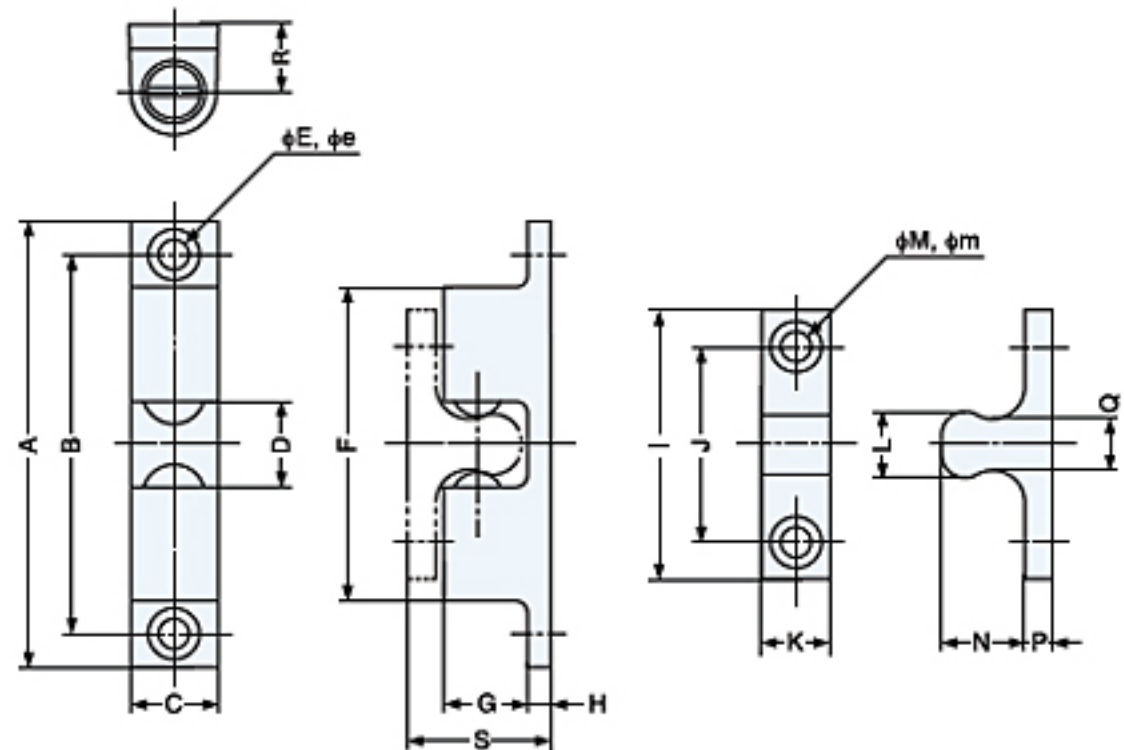


TENSION CATCH



BCT-40, 50,70



Material	Finish
Zinc Alloy	Chrome

Item No.	Push in Force (kg)		Pulling Force (kg)		Weight (g)	Box (pcs)	Carton (pcs)
BCT-40	4.4 (9.7 lbs)		3.0 (6.6 lbs)		16	100	400
BCT-50	4.1 (9.0 lbs)		3.3 (7.3 lbs)		26	100	400
BCT-70	4.6 (10.1 lbs)		3.5 (7.7 lbs)		70	50	200

Item No.	A	B	C	D	E	e	F	G	H	I	J	K	L	M	m	N	P	Q	R	S
BCT-40	42.5	35	8	6.3	3.2	6.2	26.7	7.5	2.5	25	16	7.5	5.5	3.2	6.2	8.8	2.5	3.7	6.5	14 (35/64")
BCT-50	50	40	10	8.4	4.2	8.2	29.8	9.5	3	30	20	9	7.3	4.2	8.2	9.8	2.5	4.7	7.4	16 (5/8")
BCT-70	70	60	13.5	13	4.2	8.2	49	13	4	42	30	10.5	11	4.2	8.2	14.2	3	8.2	11	21.2 (27/32")