

3310 CABINET LOCK

Surface mount brass cylinder lock with 2 keys.

Change cylinder position for drawer or right-hand cabinet door use.

Cylinder Diameter: 18mm (45/64")

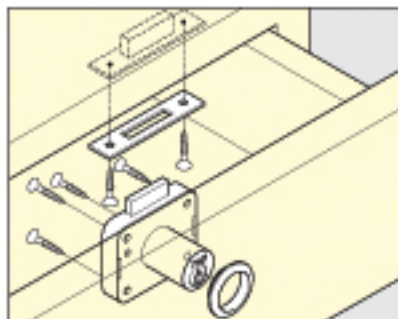
156 key changes available.

Master key NOT available.

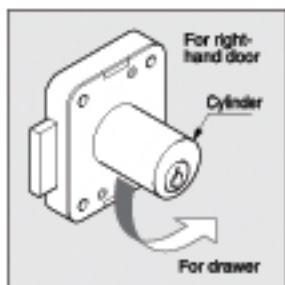
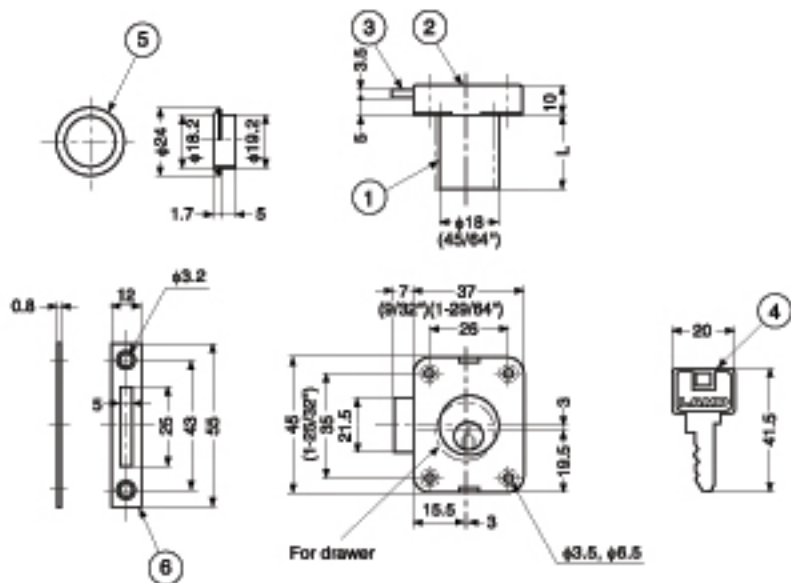
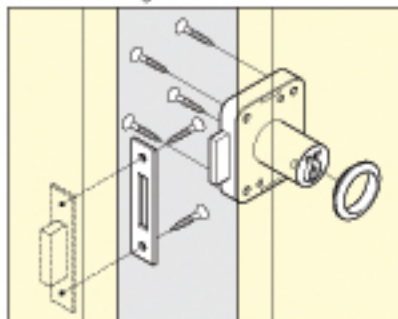
4mm (5/32") plastic distance plate (Black or White) available at surcharge.



Installation for drawer



Installation for right-hand door



To change lock for drawer application: turn lock cylinder 1/4 turn counterclockwise.

No.	Part Name	Material	Finish
①	Cylinder	Brass	Nickel
②	Body		
③	Dead Bolt		
④	Key		
⑤	Ring		
⑥	Counterplate	304 Stainless Steel	

Item No.	L	Door Thickness	Weight (g)	Box (pcs)	Carton (pcs)
3310-24	24 (15/16")	24 (15/16")	116	12	120
3310-30	30 (1-3/16")	30 (1-3/16")	125	12	120