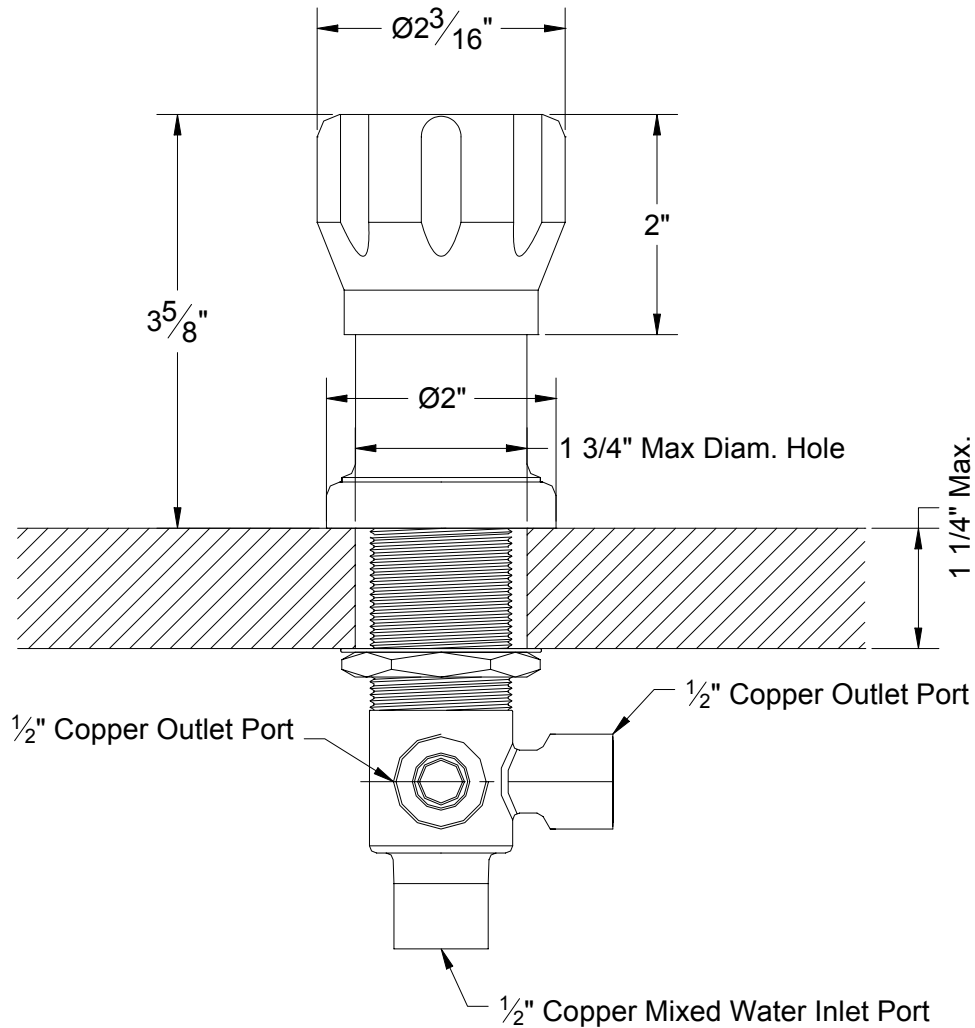


TECHNICAL SPECIFICATIONS

Generic: 2 Outlet Deck Mount Diverter Valve

289 555

Model# | 289 555 xxx



Recommended Hole Diameters: 1 1/2"

Valve: Integral atmospheric vacuum breacker
Above deck cartridge access

Maximum Deck Thickness: 1 1/4"

Flow rate: 11 GPM @ 45 psi

Max. Operating Pressure: 125psi / 861Kpa

Inlets: 1/2" Copper Pipe SWT Connection

Outlets: 1/2" Copper Pipe SWT Connections

2935 Amwiler Road
Atlanta, GA 30360-6001



Phone: 800.528.4904
Fax: 800.528.1969

TECHNICAL SPECIFICATIONS

Generic: 2 Outlet Deck Mount Diverter Valve

289 555

Service Parts

Model# 289 555 xxx

1	Complete valve body	
1.1	Valve cartridge	
1.2	Valve body	
2	Mounting nut	
3	Fiber washer	
4	Threaded collar	
5	Bell	
6	Handle	
7	M4x12 spline screw	
8	Handle cap	

