

TECHNICAL SPECIFICATIONS

Asbury Series: 4 Piece 3/4" Roman Tub Valve

27x645

Asbury#

272 645 xxx

277 645 xxx

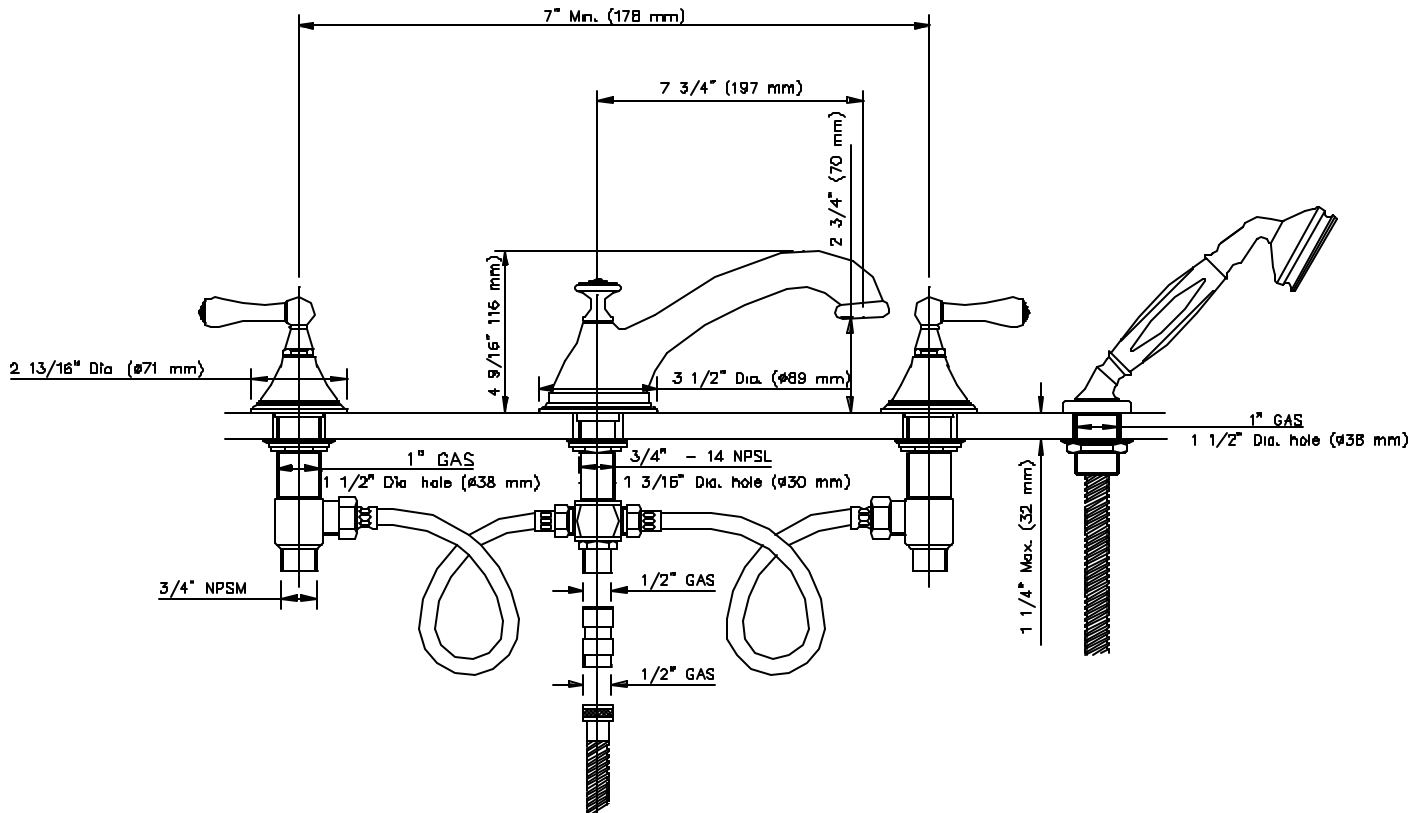
273 645 xxx

278 645 xxx

275 645 xxx

Rough#

289 745 xxx



- Spout:** Cast brass Diverter Spout.
- Trim:** Hot forged brass. Three handles available.
- Valve:** 3/4" Ceramic disc valve cartridge.
1,000,000 Tested cycles.
1/4 Turn positive on/off.
Non-rising spindle.
- Inlets:** Sized for either coupling or sweat connections.
- Pressure:** Maximum (tested): 200 psi (14.1 kg/cm).
- Flow rates:** Valve: 9.2 GPM @ 20 PSI (34.7 l/min. @ 1.4 kg/cm).
Hand shower.

2935 Amwiler Road
Atlanta, GA 30360-6001



Phone: 800.528.4904
Fax: 800.528.1969

TECHNICAL SPECIFICATIONS

Asbury Series: 4 Piece 3/4" Roman Tub Valve

27x645

Asbury#
Rough#

272 645 xxx
273 645 xxx
275 645 xxx
277 645 xxx
278 645 xxx
289 745 xxx

Service Parts

1	Text	
2	Text	
2.1	Text	
2.2	Text	
2.3	Text	
2.4	Text	
3	Text	
4	Text	
4.1	Text	
4.2	Text	
4.3	Text	
4.4	Text	
4.5	Text	
4.6	Text	
4.7	Text	
4.8	Text	
4.9	Text	
4.10	Text	
5	Text	
6	Text	
7	Text	
8	Text	
8.1	Text	
8.2	Text	
8.3	Text	
8.4	Text	
8.5	Text	
8.6	Text	
9	Text	
10	Text	
11	Text	
12	Text	
13	Text	
14	Text	
15	Text	
16	Text	
17	Text	
17.1	Text	
17.2	Text	
17.2.1	Text	
17.2.2	Text	
17.2.3	Text	
17.2.4	Text	

