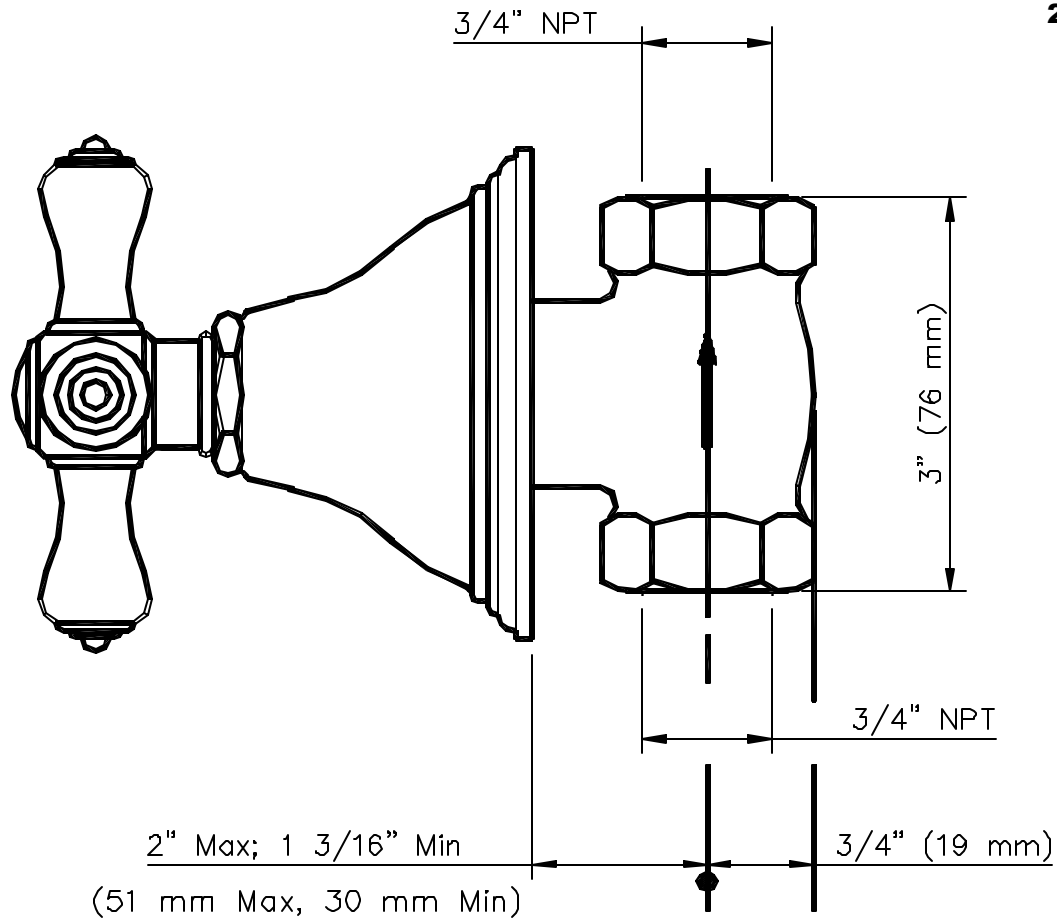


# TECHNICAL SPECIFICATIONS

Asbury & Brunswick: 3/4" Wall Stop or Volume Control

25/27x 665

Asbury#	272 665 xxx□
	275 665 xxx
	277 665 xxx
Brunswick#	278 665 xxx
	255 665 xxx
	256 665 xxx



**Trim:** Hot forged brass.

**Valve:** 3/4" Ceramic disc valve cartridge.

500,000 Tested cycles.

3/4" Turn positive on/off.

Non-rising spindle

2935 Amwiler Road  
Atlanta, GA 30360-6001



Phone: 800.528.4904  
Fax: 800.528.1969

5663260 / 983ED006W01

# TECHNICAL SPECIFICATIONS

## Asbury & Brunswick Series: 3/4" Wall Stop or Volume Control

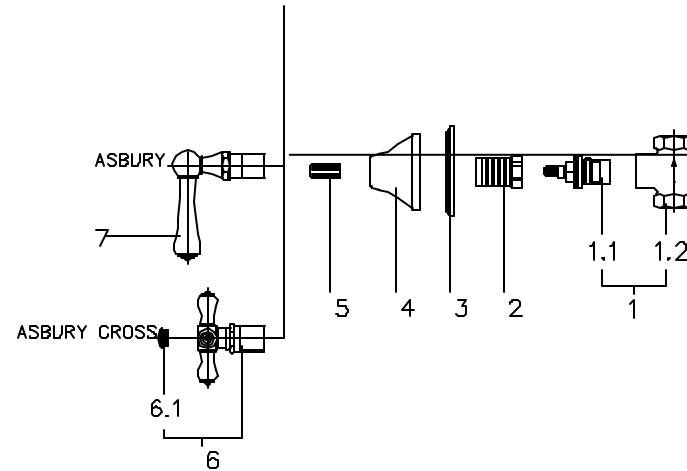
25/27x 665

### Service Parts

1	Stop valve	3221026
1.1	Stop valve body	5711114
1.2	3/4" x 3/4" Cartridge	5711502
2	Stem nut adapter	3491006
3	Spout collar (1")	"OD"/"ER" 34421OD "ER" 34421ER
4	Bell	3441030 xxx
5	Extension 23mm	3500478
6	Complete handle Asbury Cross	277 904 xxx
6.1	Button assembly	277 954 xxx
7	Complete handle Asbury	278 904 xxx

Asbury#  
Brunswick#

272 665 xxx  
275 665 xxx  
277 665 xxx  
278 665 xxx  
  
255 665 xxx  
256 665 xxx



If Max depth is exceeded, stem nut adapter may be cut (however note minimum length of 1 inch from finished wall)

