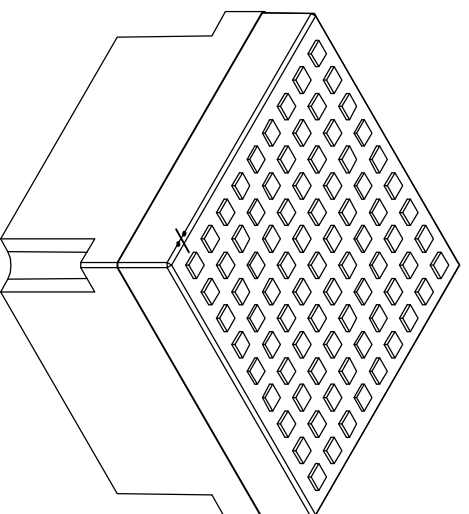
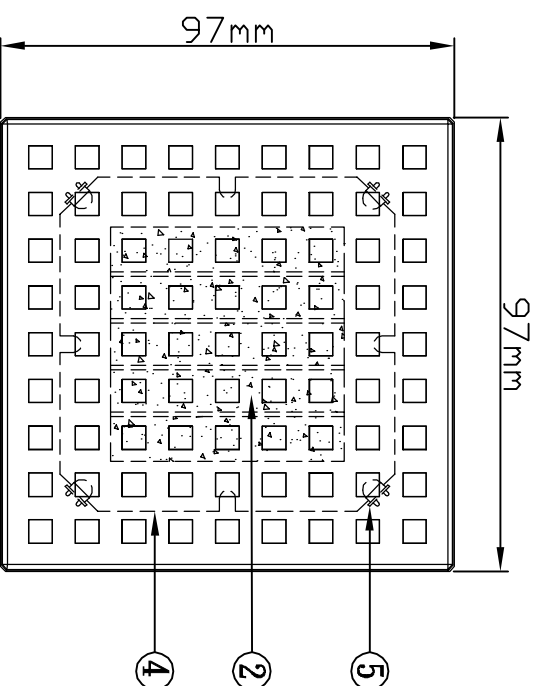


Electronic Components

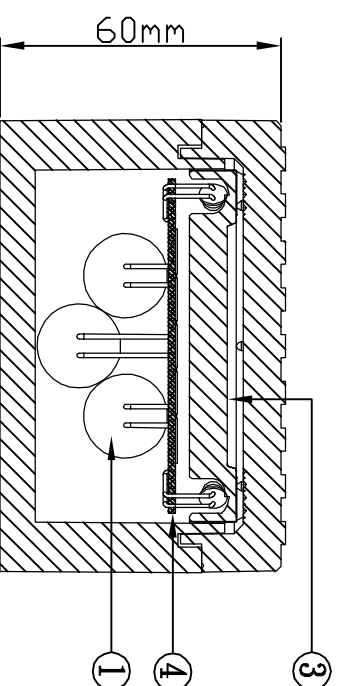
ITEM	Description
1	Battery Condenser
2	Solar Module
3	Reflector
4	PC Board
5	High Brightness LED



Isometric View



Top View



Section View

Function And Parameter

Item	Description
Color	Blue, Green, White, Halogen White, And Red
Solar Battery	Mono-Crystalline Silicon
Electricity Storage	3 X Electrical Double Layered Condensor 50f/2.5v
Light Source	ML-W05B15C-805 4Pcs
Light Hours	Automatically Turns On After Sunset And Off After Sunrise
Time to charge	4 Hours(Sunlight Intensity 900W/M ²)
Light Time	10 Hour
Working Temperature	-4~158 °C
Case Size	97×97×60mm
Weight	300g
Water Resistance	IP68
Pressure Load	7000kgf

MODEL NO.	RSC-S00	COLOR CHOICE	Blue / Green / White Halogen White / Red
PRODUCT	Solar LED Block	UNIT	mm
DATE	2009.07.07	APPROVE	

