



DECOLAV® SPEC SHEET MODEL NUMBER: 1220 SERIES

PRODUCT DESCRIPTION

Stainless Steel Lavatory with Overflow

- Simply Stainless™ Collection
- Double Walled with Overflow
- 16" (40.64 cm) Round
- High-Quality Durable Stainless Steel
- For Drop-in or Undermount Use
- CSA Certified: CSA B45.0-2002, CSA B45.4-2002, ASME A112.19.3-2000



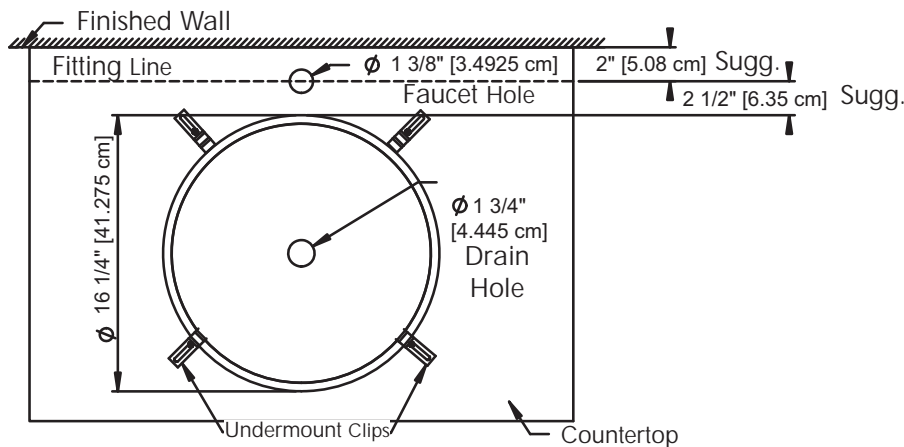
PRODUCT MEASUREMENTS

- Diameter: 16.25 inches (41.28 cm)
- Height: 6.75 inches (17.15 cm)

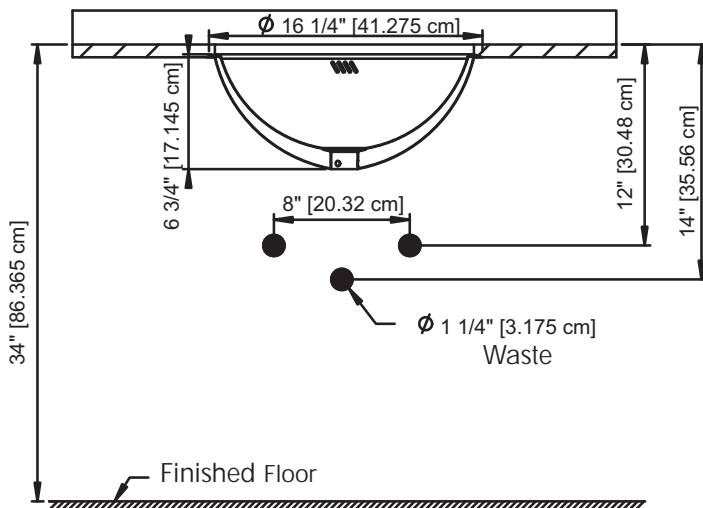
RECOMMENDED ACCESSORIES

- DECOLAV® 9295 Grid Drain or
- DECOLAV® 9297 Push Button Closing Umbrella Drain

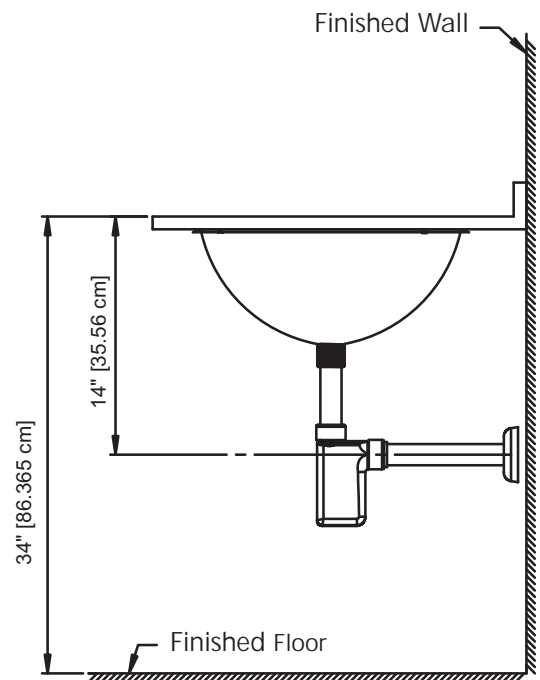
ROUGHING-IN DIMENSIONS



Top View



Front View



Side View

Customer Service: 561-274-2110
www.decolav.com

LET YOUR DREAMS COME ALIVE, YOUR PASSIONS
 BECOME REALITY, BE THE ENVY OF YOUR NEIGHBORS®