



R54B Tap

Cast Iron Traditional 54" Roll Top

Faucet Holes on Tub Rim

54 1/2" L x 30 1/8" W x 22 7/8" H Capacity: 41 Gal

225 lbs. Empty Weight

567 lbs. Filled Tub Weight

345 lbs. Shipping Weight

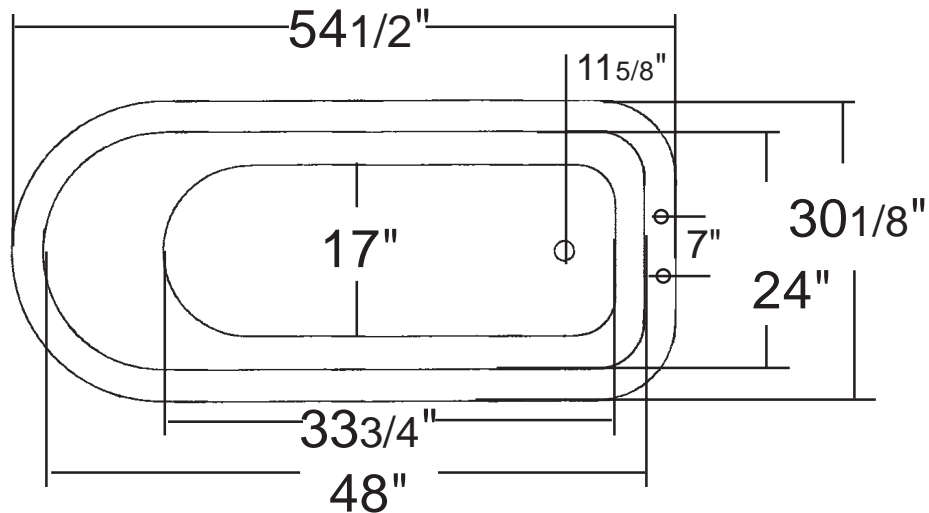
Hole Diameters

Drain Outlet 2"

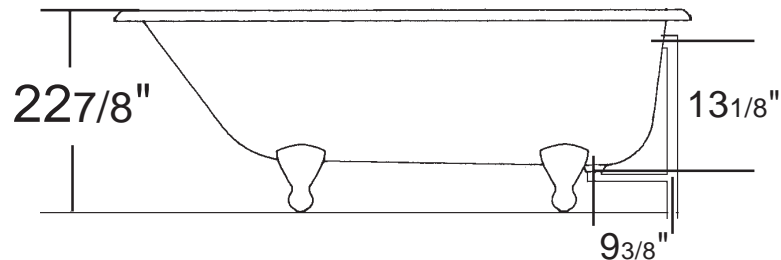
Overflow 2 1/4"

Faucet 1 3/8"

Top View



Side View



Measurement Tolerances

1. Overall lengths & Heights are +/- 3/8"

2. Overall width is +/- 3/16"

3. Hole diameters are

+/- 1/8 for drain hole & faucet holes

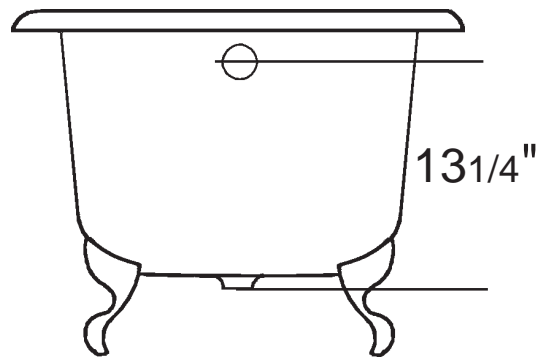
+/- 3/16 for over-flow

Revised 9/14/04



R54B Tap Cast Iron Traditional 54" Roll Top

End View



Feet Placement Diagram

