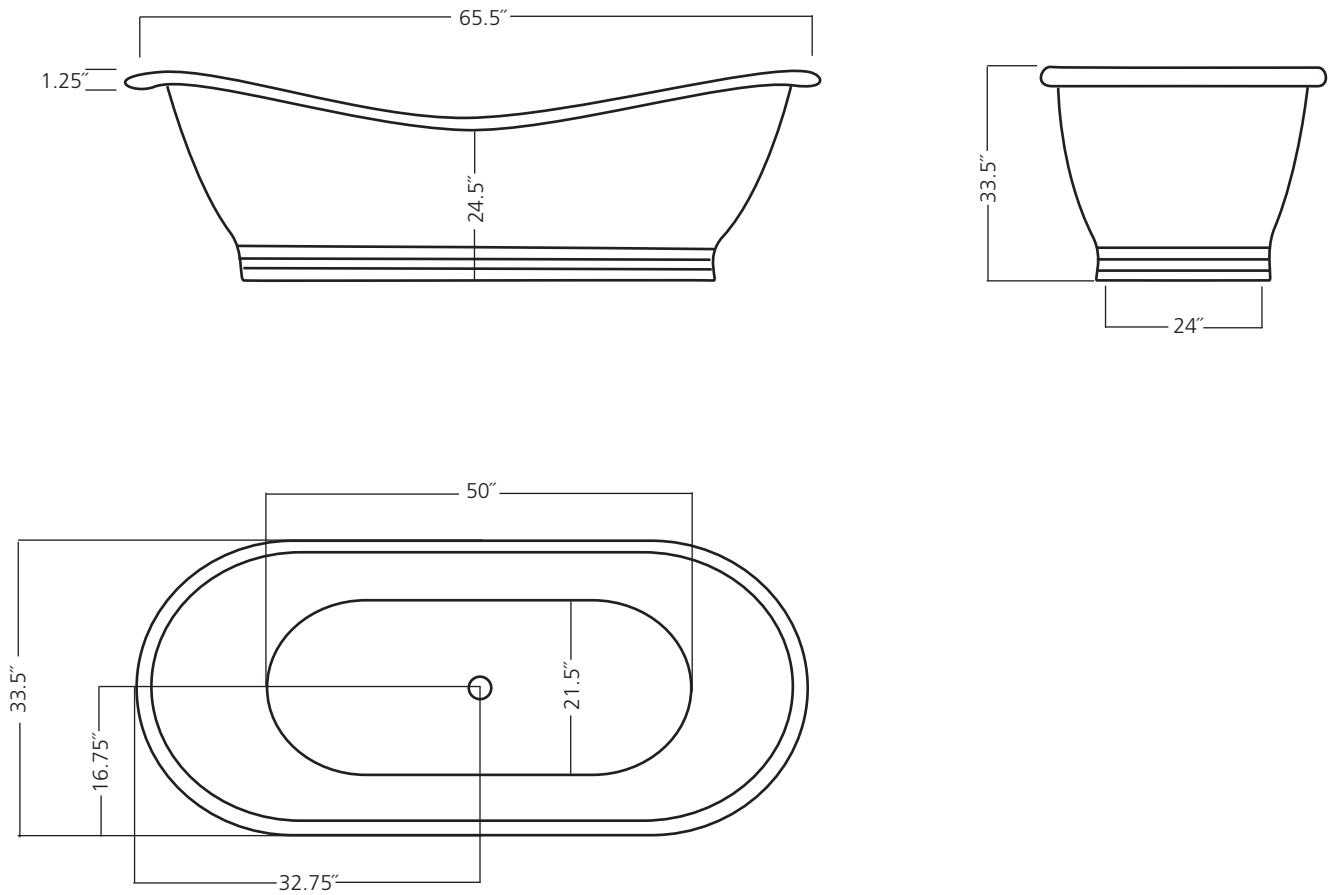


CT1



Drain hole thickness: 3/8" – 1/2"

SEPTEMBER 2007		
MODEL	CT1	
SIZE	65.5" x 33.5" x 33.5" 24.5" Center of Tub Height	
NOTE	These dimensions are for reference only and can vary $\pm 1"$ If exact measurements are required, use the actual tub to be installed. The drawings are not drawn to scale.	