

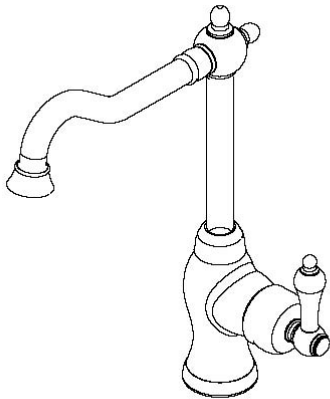


N230 01

SINGLE HANDLE BAR FAUCET

Product Features

- 1 Hole Installation
- 2.2 GPM @ 60PSI water saving aerator
- Brass body
- 1/2" 14 NPS Inlet
- Ceramic cartridge
- Metal lever handle



Standards/Approvals

- N230 01 meets or exceeds:
- ANSI/ASME A112.18.1
- ANSI/NSF 61 – Sec 9
- IAPMO/UPC
- California Proposition 65
- Massachusetts
- N230 01 meets ADA requirements

N230 01



UPC®



PRODUCT SPECIFICATION:

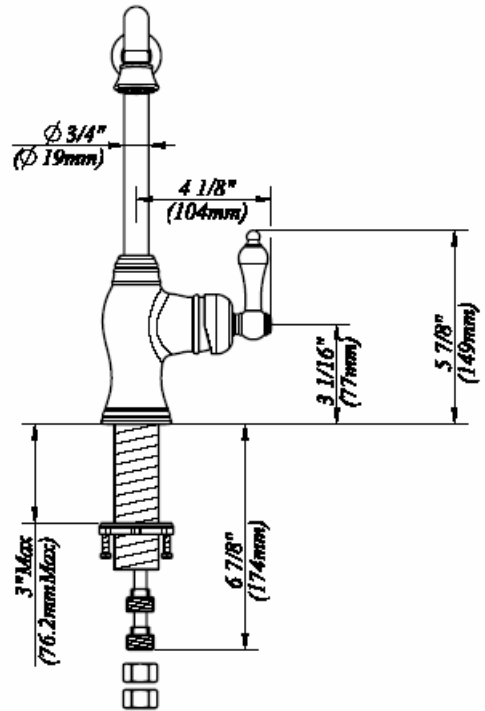
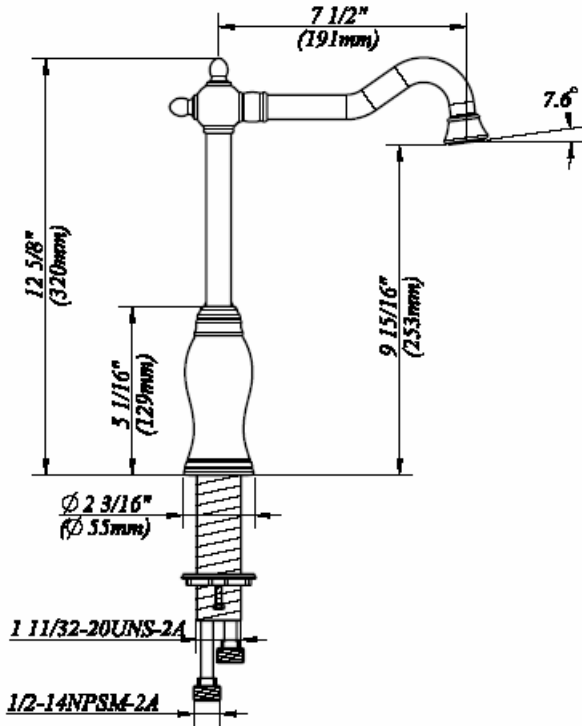
Single handle bar faucet shall have a brass body, ceramic cartridge, 7-1/2" spout, zinc lever handle. Product shall be able to be installed in 1hole installation. Product shall be Belle Forêt model N230 01.



Belle Forêt
collection

N230 01

SINGLE HANDLE BAR FAUCET



Other Specifications

Faucet Hole diameter	1-1/2"
Max Deck Thickness	3"
Spout height	12-5/8"
Spout reach	7-1/2"
Aerator clearance	9-15/16"
Body base diameter	2-3/16"

Available Finishes

- Chrome
- Stainless Steel
- Oil Rubbed Bronze
- Tumbled Bronze

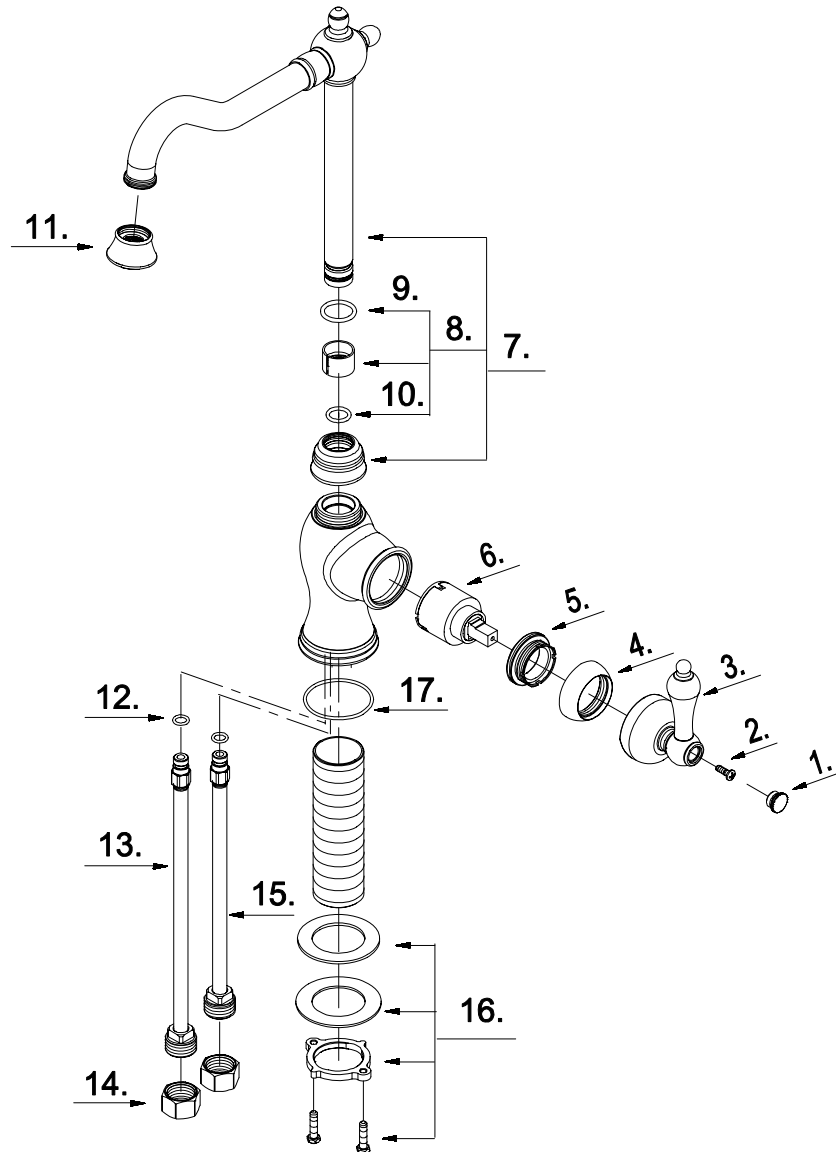


Belle Forêt
collection

N230 01

SINGLE HANDLE BAR FAUCET

PARTS BREAKDOWN





N230 01

SINGLE HANDLE BAR FAUCET

PARTS LISTING

No	Name	Kit / Part #
1	Handle Cap	A206114XX
2	Screw(M4 * 12 mm L)	A008519
3	Metal Handle	A662634XX
4	Trim Cap	A103016XX
5	Locking Nut	A104002
6	Ceramic Disc Cartridge	A507348N
7	Spout Assembly	A666808XX
8	Spout Seal Kit	A663970N
9	O-Ring(Φ 3/4" ID * Φ 15/16" OD)	A004096
10	O-Ring(Φ 1/2" ID * Φ 11/16" OD)	A048047N
11	Aerator	A500767N-50XX
12	O-Ring (Φ 5/16" ID * Φ 7/16" ID)	A004001N
13	Supply Pipe-Hot	A134158N
14	Coupling Nut	A009016
15	Supply Pipe-Cold	A135001N
16	Mounting Hardware	A603222
17	O-Ring (Φ 1-11/16" ID * Φ 1-7/8" OD)	A072057

XX designates finish matched parts