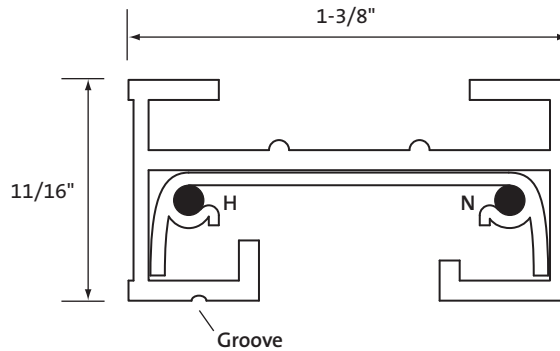


LT

Catalog #

Type

Project

Single Circuit Track

Track Section End View

**Specifications/Features****Track**

A myriad of configurations are possible with these 120V/20A rated commercial grade track sections. Low profile track cross-section; an economic solution for most applications. Track has solid copper conductors with Noryl® insulators placed in heavy 14 ga. extruded aluminum channels. Mechanical polarity with a visual indicator simplifies installation and mounting of fixtures while assuring proper electrical connections. All Con-Tech track fixtures have two position contacts to access 1-circuit conductors. Toggle bolts are supplied for simple surface installation. Nominal length track sections can be cut in the field for exact fit. Strong "H" design construction. Track sections may be mounted within Con-Tech's Recessed Track Housing System to minimize appearance.

Mounting accessories available for T-Bar clips, stems, threaded rods, and aircraft cable.

All track sections are supplied with two insulated end caps.

Warranty

Track is covered by Con-Tech's one (1) year full replacement guarantee after date of installation.

Listing

cULus listed for dry locations.

Ordering Information

Example Order: **LT** - -

1-Circuit Sections	Track Finish
LT - <input style="width: 100px; height: 20px;" type="text"/> -	<input style="width: 100px; height: 20px;" type="text"/>
2 - 2' (24") Length; 20-1/8" Actual Length 4 - 4' (48") Length; 44-1/8" Actual Length 6 - 6' (72") Length; 68-1/8" Actual Length 8 - 8' (96") Length; 92-1/8" Actual Length 12 - 12' (144") Length; 140-1/8" Actual Length	B - Black P - White U - Unfinished Aluminum* *Not Available in 12' Sections

LA11 end caps are supplied with all track sections and may be ordered separately as needed. See other sheets for Recessed Track Systems and 120V Track Accessories. 2', 4', and 6' sections supplied with (2) toggle bolts, 8' and 12' sections supplied with (3) toggle bolts.



1-800-728-0312

www.con-techlighting.com

All specifications subject to change without notice.