

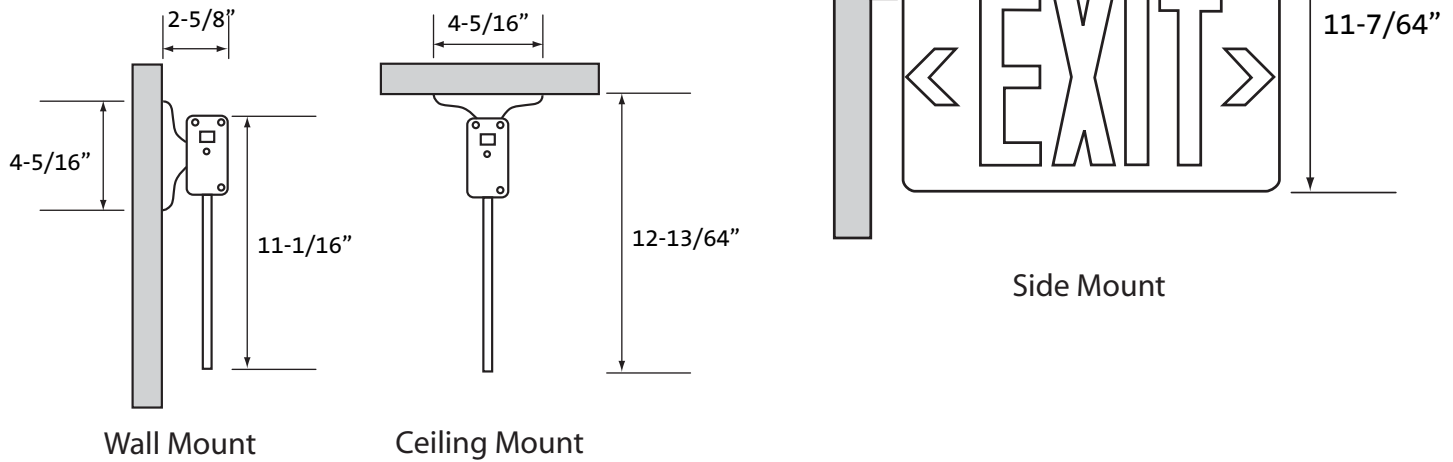
EXELSF EXELDF

LED Edge-Lite
Exit Sign with
Battery Backup

Catalog #

Type

Project



Specifications/Features

Housing

Rigid aluminum housing.
Etched, clear acrylic edge lit panel.
Removeable directional indicators.
Letters are 6" high with a 3/4" stroke.
Single or double face configuration.

Mounting

Universal (wall, side or ceiling) mounting.

Electrical

120/277 VAC dual voltage operation.
Low energy consumption - only 3 watts at 120V.
LED indicator light and test switch.
LED lamps operate in normal (AC input) and emergency (DC input) modes.

Nickel-Cadmium battery (4.8V 650 mA) delivers more than 3 hours capacity to emergency lamps.
24-hour recharge after 90 minute discharge.
Low voltage battery disconnection prevents deep discharge damage to the battery.

Warranty

This fixture is covered by Con-Tech's one year full replacement guarantee after installation.

Listing

ULus listed.

Ordering Information

Example Order: -

Fixture

EXELSFREDEM - Red LED Edge-Lite Exit Sign, Single Face
EXELSGLEDEM - Green LED Edge-Lite Exit Sign, Single Face
EXELDFREDEM - Red LED Edge-Lite Exit Sign, Double Face
EXELDFGLEDEM - Green LED Edge-Lite Exit Sign, Double Face

Finish

P - White Housing
U - UnLook Housing



1-800-728-0312

www.con-techlighting.com

All specifications subject to change without notice.