

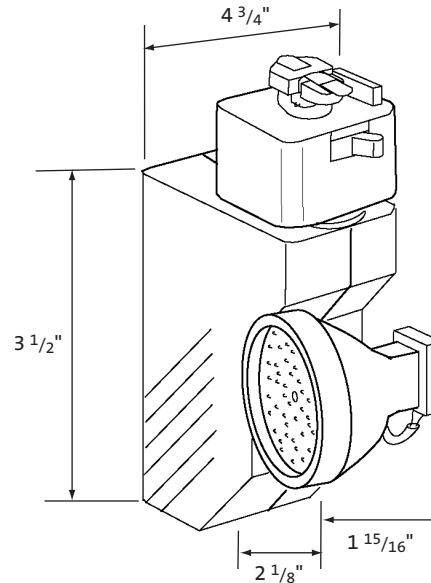
CTL8816T

Mirco/Lyte™
Low Voltage
Track Fixture

Catalog #

Type

Project



Specifications/Features

Fixture

The Micro/Lyte™ Series provides a popular compact look in small track lighting fixtures.

This model features high-tech styling and durable die-cast construction with a side mounted lamp holder to reduce the fixture silhouette.

Lamp/Electrical

(1) 50W MR16 lamp (max).

All styles are equipped with a convenient on/off switch and polarity indicator.

Vertical mount transformer is included.

Warranty

This fixture is covered by Con-Tech's full replacement guarantee which is effective for one year.

Listing

cULus listed. Suitable for dry locations.

Ordering Information

Example Order: - -

Fixture

Finish

P - White
B - Black
S - Silver UNLook™

Accessories

LF16-A - Tempered Amber Glass Filter
LF16-B - Tempered Blue Glass Filter
LF16-G - Tempered Green Glass Filter
LF16-LB - Tempered Light Blue Glass Filter
LF16-R - Tempered Red Glass Filter
LF16-RO - Tempered Rose Glass Filter
LF16-Y - Tempered Yellow Glass Filter
LF16-73 - Tempered Corning Glass Filter
LF16-SL - Soft Light Lens
LF16-LS - Tempered Linear Spread Lens
LF16-UV - Tempered Optivex UV Filter

