

CTL603 CTL603A

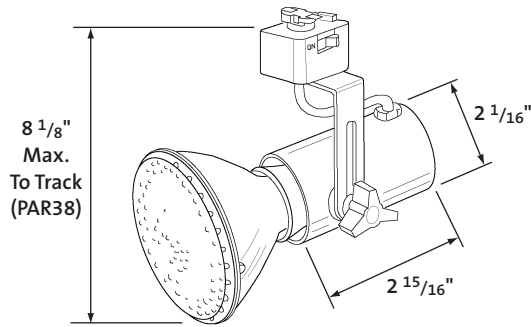
Universal Mini-Swivel

Incandescent
Track Fixtures With
Slide Yoke & Swivel
Adjustment

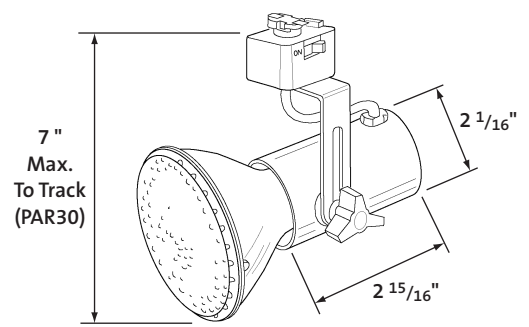
Catalog #

Type

Project



CTL603 Series Shown With
Long Neck PAR30 Lamp



CTL603A Series Shown With
Short Neck PAR30 Lamp

Specifications/Features

Fixture

This Mini-Swivel fixture has vertical slide adjustment to allow numerous fixture heights.

Three arm knob is easy to tighten and holds aiming position accurately.

Half yoke mounting design minimizes fixture presence.

Socket position options for either a short neck or long neck PAR30 lamp.

May be track mounted or used in mono-point applications with the LA-18 mono-point accessory.

All have precise, rigid aiming and full 350° horizontal rotation.

Lamp/Electrical

Maximum Lamp Ratings: Use 120V, E26 medium base lamps.

CTL603 Lamps: 250W max., PAR38
75W max., PAR30 Long Neck
50W max., PAR20
75W max., PAR16

CTL603A Lamps: 75W max., PAR30 Short Neck

Each track connector is equipped with a convenient on/off switch.

Warranty

This fixture is covered by Con-Tech's full replacement guarantee which is effective for one year.

Listing

cULus listed. Suitable for dry locations.

Ordering Information

Example Order: -

Fixture

Finish

CTL603 - Long Neck PAR Lamps
CTL603A - Short Neck PAR Lamps

B - Black
P - White
U - UNLook, Unfinished

