

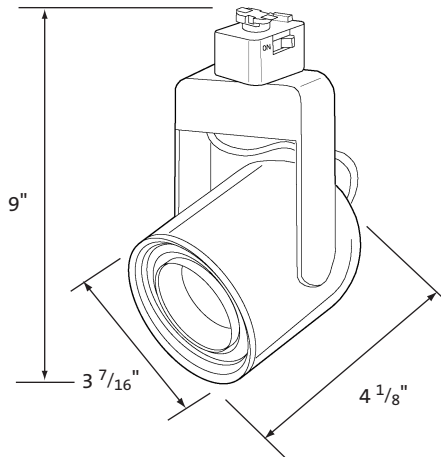
CTL2016 CTL2016/DIM

New Decade
Halogen Series
Track Fixtures

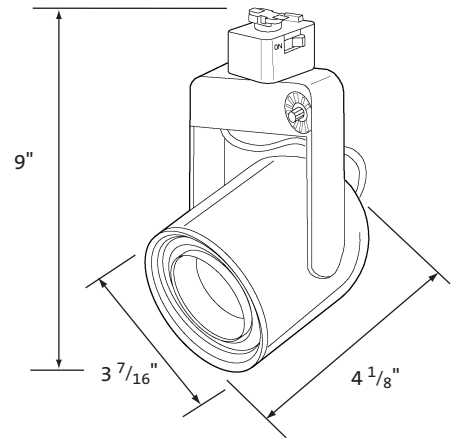
Catalog #

Type

Project



CTL2016



CTL2016/DIM

Specifications/Features

Fixture

These compact fixtures utilize MR16 lamps for exceptional color, efficiency, and beam control. They feature clean, contemporary styling with a Solid State 120V - 12V transformer concealed in the yoke.

The "Sure-Set" yoke design firmly holds any aiming position without unsightly knobs and provides 350° rotation.

A deep set die-cast black baffle provides full cut-off.

The CTL2016/DIM model features a built-in full range dimming device.

The desired lighting level to precisely illuminate an item may be preset with the control knob on the yoke transformer.

Lamp/Electrical

(1) 50W MR16 Lamp (max) 12V.

Transformer is RFI shielded to FCC standards.

All styles are equipped with a convenient on/off switch and polarity indicator.

Warranty

This fixture is covered by Con-Tech's full replacement guarantee which is effective for one year.

Listing

cUL_{US} listed. Suitable for dry locations.

Ordering Information

Example Order: - -

Fixture

CTL2016
CTL2016/DIM - With dimming control

Finish

P - White
B - Black
C* - Chrome

*Available only for CTL2016

Accessories

LF16-A - Tempered Amber Glass Filter
LF16-B - Tempered Blue Glass Filter
LF16-G - Tempered Green Glass Filter
LF16-LB - Tempered LT. Blue Glass Filter
LF16-LS - Tempered Linear Spread Lens
LF16-R - Tempered Red Glass Filter
LF16-RO - Tempered Rose Glass Filter
LF16-Y - Tempered Yellow Glass Filter
LF16-SL - Tempered Soft Light Lens
LF16UV - Tempered Optivex UV Filter
LF16-73 - Tempered Spread Lens
LVD-300E - Dimming Control

