

# CTL1518

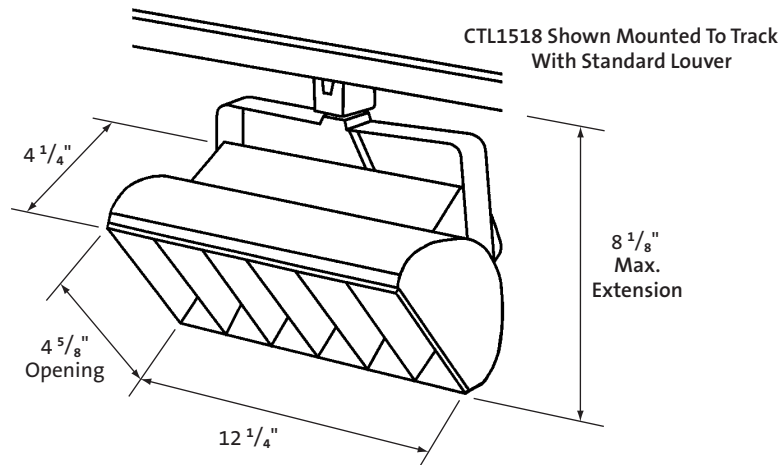
High Efficiency  
Wall/Liter™

Track Mounted  
Fluorescent Fixture With  
Dual 18W Biaxial Lamps  
& Parabolic Louvers

Catalog #

Type

Project



## Specifications/Features

### Fixture

Single piece extruded aluminum with welded end caps.  
Clean housing appearance with no exposed fasteners.  
Heavy duty aiming bracket for solid positioning with dual adjustment knobs to lock aiming position.  
Durable powder coat paint finish.

### Lamps

(2) 18W, biaxial tube, fluorescent lamps with 4-pin, 2G11 base.  
Average Lamp Ratings: 20,000 Hr. life, 1250 initial Lumens.  
Sockets are mounted at opposite ends to create an even wall wash distribution.

### Reflector / Louver

Specular aluminum reflector provides maximum lamp output.  
Parabolic, injection molded, chrome specular louver for optimum efficiency and lamp shielding ( $1/8$ " extension is standard).  
Optional white framed louver is available.

Louver may be removed without tools during relamping.  
Contact factory or see website for photometric information.

### Electrical

Electronic, energy efficient ballast (98%+) with 5 year warranty.  
Low harmonic distortion:  $\leq 15\%$ .  
End of lamp life automatic shut-off circuit protection.  
Sound rating of "A" for quiet operation.  
(2 Lamp) ANSI Input Power (max.): 47W, 120V, .41A

### Mounting

Integral track mounting adapter with on/off switch and polarity indicator.  
Optional fixed point mounting adapter is available.

### Labels/Usage

cULus listed for dry locations.

## Ordering Information

Example Order:  -  -

CTL1518 -  -

B - Black  
P - White

LA-18-(B, P, S) - Fixed Mounting Adapter, Specify Color (Mono-Point outlet box mounting,  $4\ 3/4$ " diameter x  $5/8$ " deep)

1518 LOUVER - Black Frame With Specular Louver (has  $1/2$ " extension)

1518 LOUVER-P - White Frame With Specular Louver (has  $1/2$ " extension)

1518 LENS - Diffusing Lens, Black Frame, Specular Louver Combination  
(for food handling application or soft light needs, has  $1/2$ " extension)

See Accessory Sheet for details.

