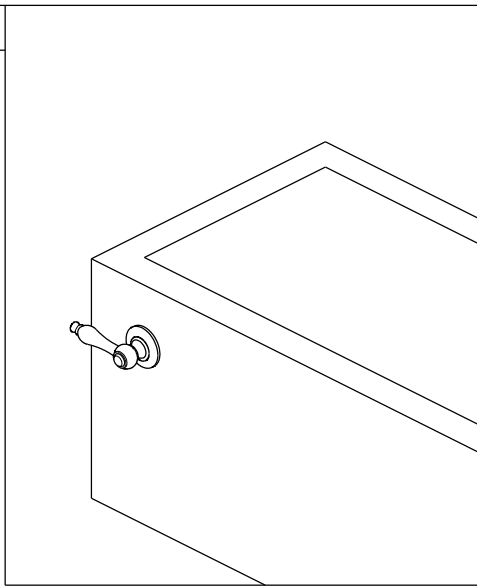


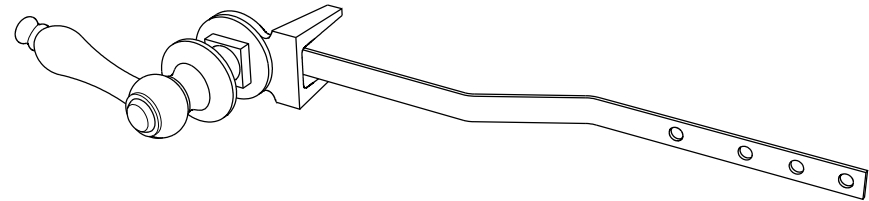
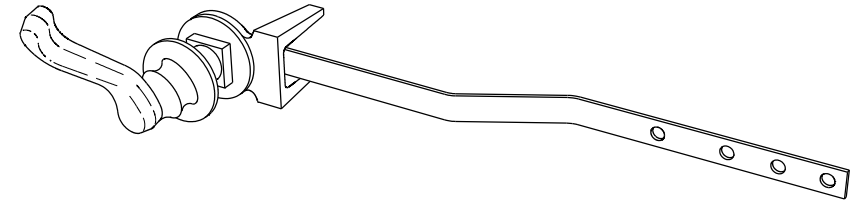
6



6.Flush arm (6) may be bent to fit individual applications.

# ***KINGSTON BRASS***

THE TRADITION OF FINE BRASS

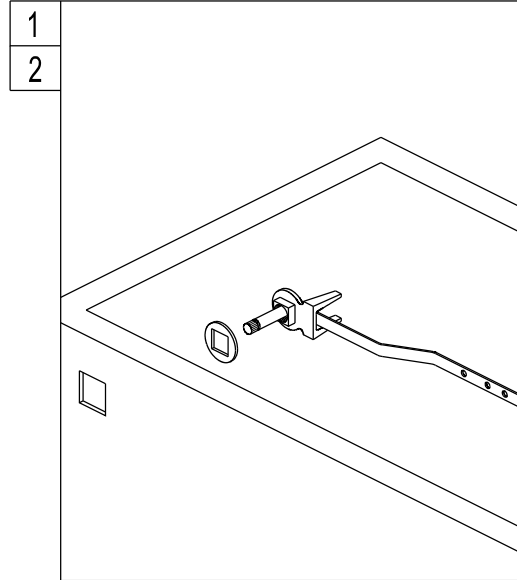
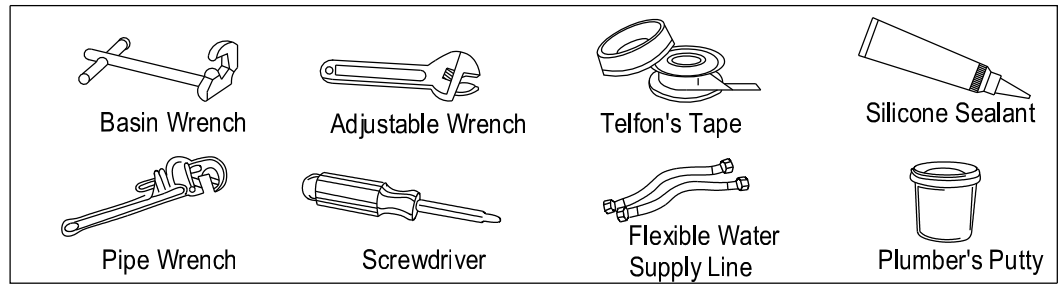
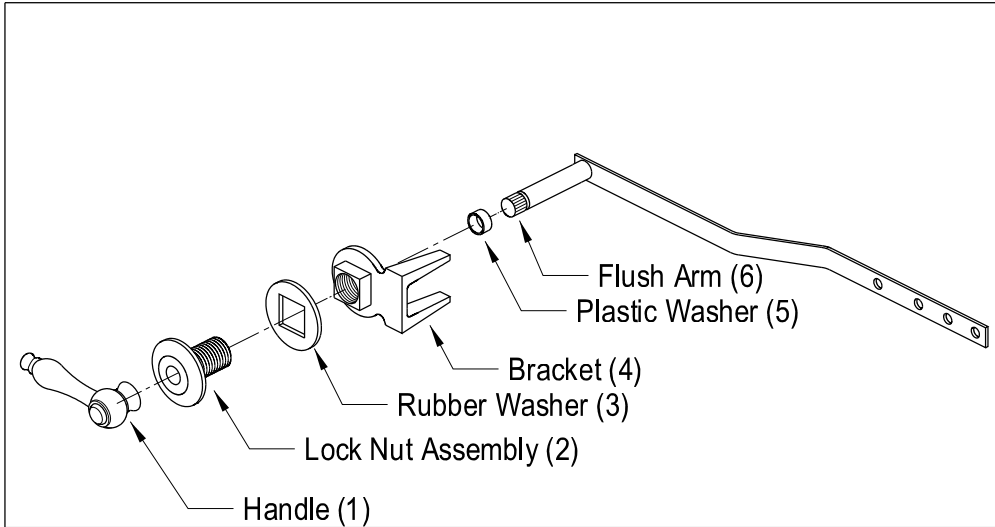


[www.kingstonbrass.com](http://www.kingstonbrass.com)  
TOLL-FREE CUSTOMER SERVICE: 877-2-KBRASS  
TECHNICAL SUPPORT E-mail: [service@kingstonbrass.com](mailto:service@kingstonbrass.com)  
6240 Prescott Court, Chino, CA91710

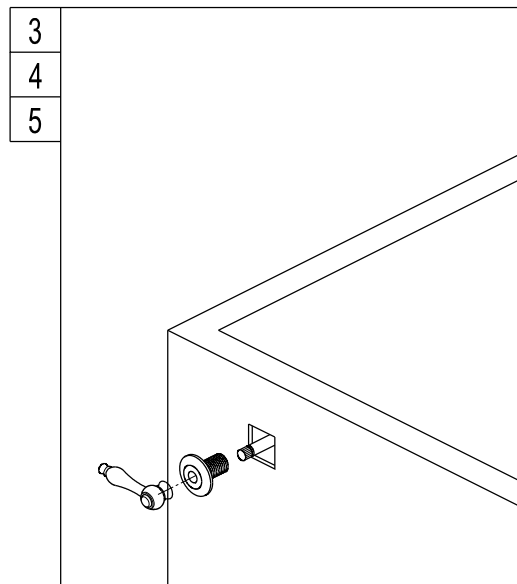
## Front Mount Tank Lever Installation Instruction

### Disassemble tank lever :

Removing brass cotter pin from handle assembly end and slide pieces off.



1. Insert plastic washer (5) and flush arm (6) through bracket (4).
2. Place rubber washer (3) onto bracket (4).



3. Slide lock nut assembly (2) over end of flush arm (6) from front and tighten by hand or wrench.
4. Positioning handle (1) to the right or left depending on preference and tighten it.
5. Insert upper copper pin into lever.