

10 YEAR MANUFACTURER'S

LIMITED WARRANTY

All parts of this Kingston Brass faucet are warranted to the original retail purchaser to be free from defects in material and workmanship for a period of Ten(10) years from the date of purchase as shown on the purchaser's receipt.

This warranty is limited to defective parts only, labor charges and/or damage resulting from improper installation, repair or replacements, as well as incidental and consequential damages connected therewith are excluded.

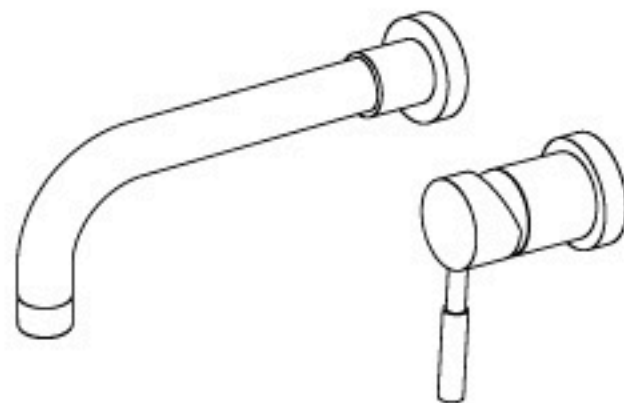
Any damage to this faucet as a result of misuse, abuse, neglect, accident, or improper installation or any use not consistent with the instructions furnished by us, will void this warranty.

Replacement parts can be obtained from your local dealer. Freight cost is not covered by Manufacture.

CAUTION!!!

1. Water lines must be completely flushed before use, to avoid debris & clogs in your water system leading to mal-function and reduction of water flow.
2. Warranty to be void if water lines are not flushed before use of new faucet.
3. Use of abrasives of any strength may damage the finish of your faucet and void this warranty.

CODE APPROVAL: LA#M-000018



www.kingstonbrass.com

TOLL-FREE CUSTOMER SERVICE: 877-2-KBRASS

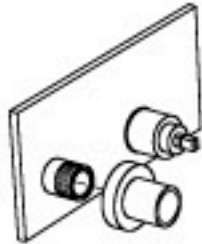
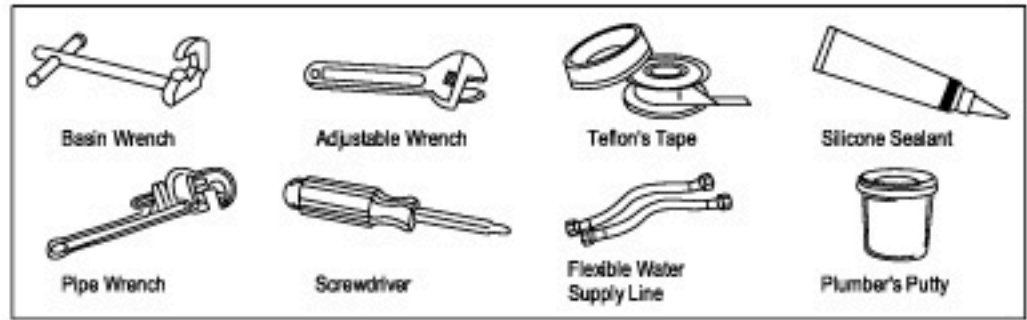
TECHNICAL SUPPORT E-mail: service@kingstonbrass.com

6240 Prescott Court, Chino, CA91710

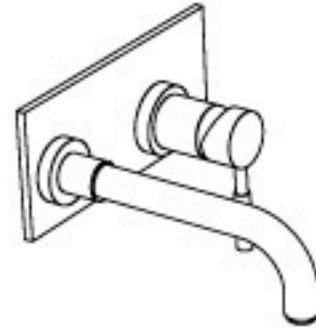
INSTALLATION INSTRUCTIONS
For Use With KB's WALL MOUNT SINGLE
LEVER HANDLE SINK FAUCET

NOTE:

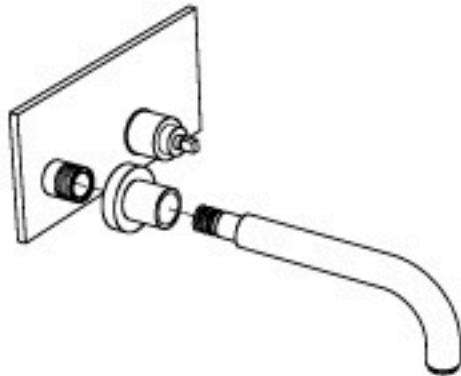
1. FLUSH LINE BEFORE FAUCET INSTALLATION TO REMOVE DEBRIS IN LINES.
2. NO PLUMBER'S PUTTY ON ANY FINISH TO CORRODE FINISH OF FAUCET SURFACE.



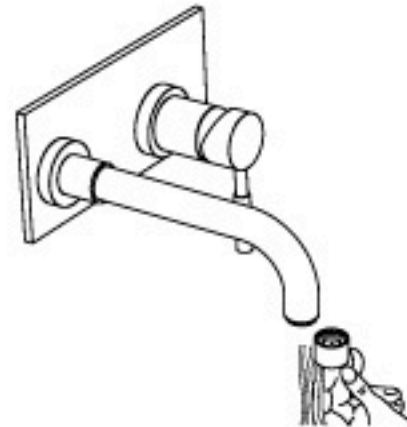
1. Install escutcheon onto spout shank .Loosen set screw from valve .



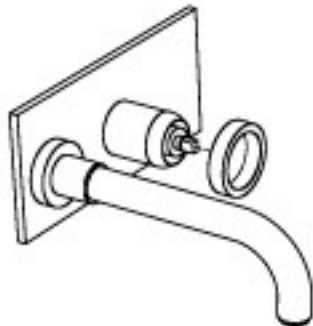
4. Install handle with cartridge by tightening set screw . Put the insert .



2. Install spout to spout shank :
 - A. Slide back canopy from spout end .
 - B. Slide spout onto spout mounting shank . Tighten set screw with Allen wrench .
 - C. Slide canopy to escutcheon .



5. After installing faucet , remove aerator and turn on water to remove any left over debris . Re-assemble aerator .



3. Install the escutcheon , onto handle valve .