

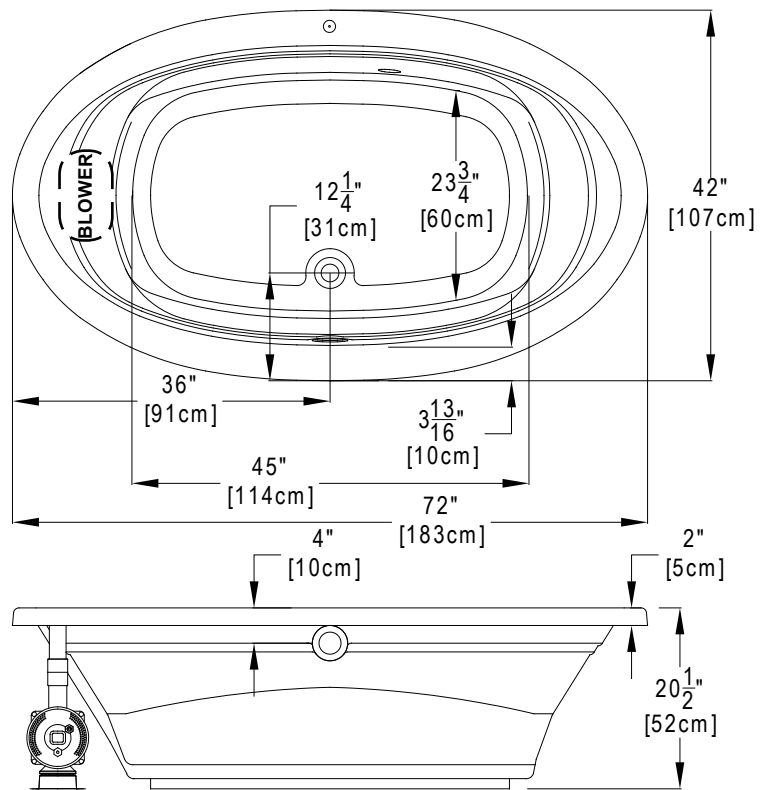
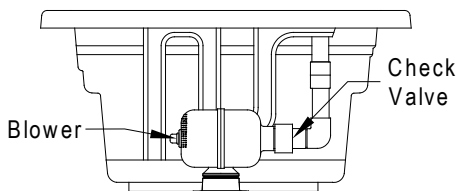
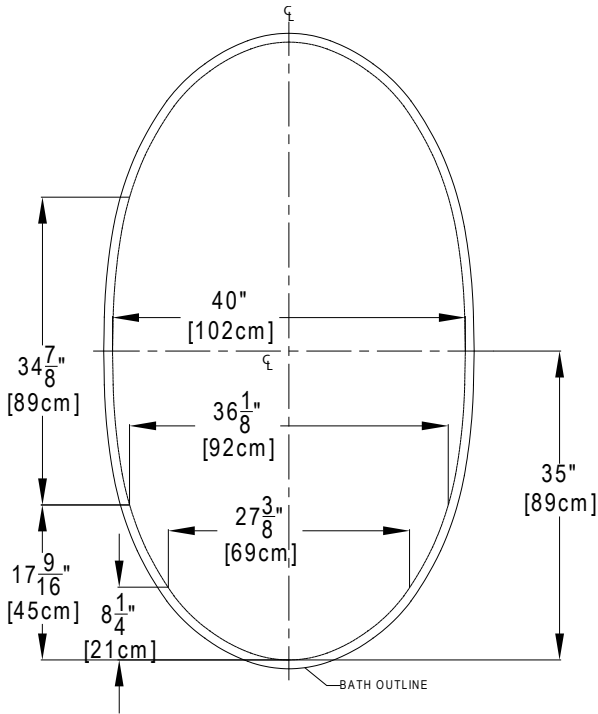
Integrity™ Collection Specifications

AirMasseur® - V4272

Drop In Hole Size

Note: The pump extends approx. 1" past the end radius of the bath. This requires angling the bath into the drop-in hole.

Dimensional Tolerances: +/- 1/4"



Patents received or pending.

Note: Dimensional Tolerances: ±1/4"

Drop-in-Hole Size:	See Diagram
Operating Capacity:	46 Gal.
Overflow Capacity:	74 Gal.
Floor Loading / sq.ft.:	42.8 lbs.
Carton Weight:	120 lbs.
Cube:	43.2 ft. ³

Air Switch Control

Includes a quiet, 120v, 1HP, variable speed air blower with an integral air heater, 20-minute timer and automatic purge cycle. Air switch operates the On/Off and blower speed functions. Requires (1) 15A, 120v GFCI protected circuit.

Construction: Reinforced Acrylic shell mounted on Level Form™ pre-leveled full support base.

We provide products listed with Intertek ETL SEMKO (Edison Testing Laboratories) U.S. and Canadian and with International Association of Plumbing and Mechanical Officials (IAPMO). Consult factory with your listing requirements.