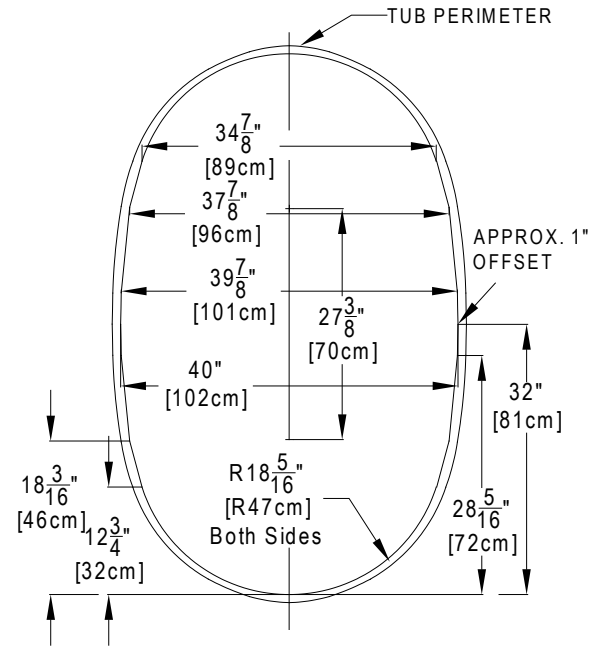
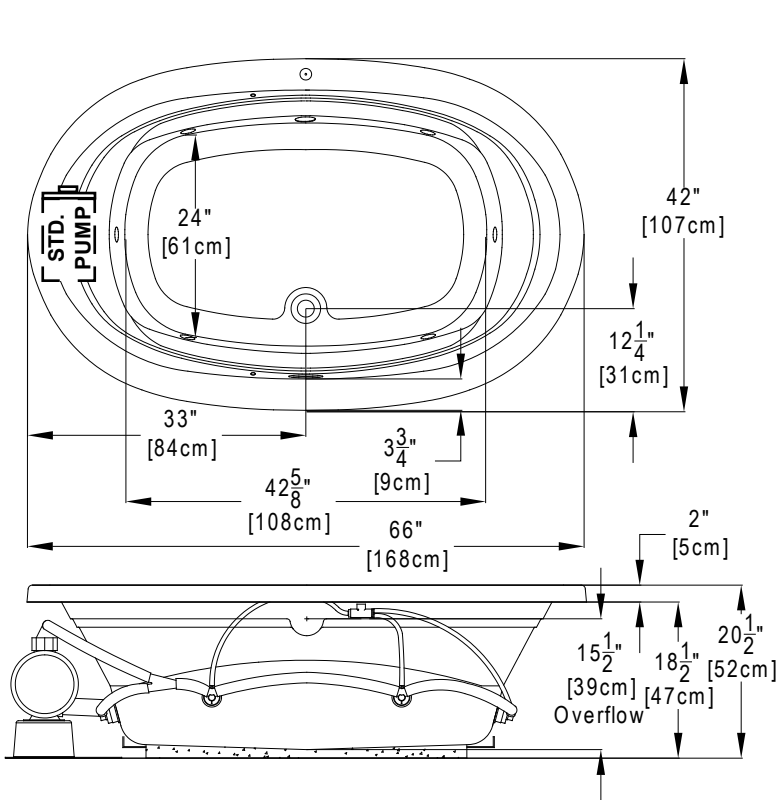


## Integrity™ Collection Specifications

# Whirlpool & Soaking - V4266



### Drop In Hole Size

Note: The pump extends approx. 1" past the end radius of the bath. This requires angling the bath into the drop-in hole.

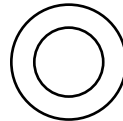
Dimensional Tolerances: +/- 1/4"

Patents recieved or pending.

Note: Dimensional Tolerances: ±1/4"

|                                 |                       |
|---------------------------------|-----------------------|
| <b>Drop-in-Hole Size:</b>       | See Diagram           |
| <b>Operating Capacity:</b>      | 43 Gal.               |
| <b>Overflow Capacity:</b>       | 70 Gal.               |
| <b>Floor Loading / sq.ft.:</b>  | 43.9 lbs.             |
| <b>Carton Wt. (WP/Soaking):</b> | 106/72 lbs.           |
| <b>Cube:</b>                    | 39.7 ft. <sup>3</sup> |

Air Switch Control



Includes a quiet, 120v, 1HP, 1-speed pump and an air switch On/Off control. Requires (1) 20A, 120v GFCI protected circuit.

**Construction:** Reinforced Acrylic shell mounted on Level Form™ pre-leveled full support base.

*We provide products listed with Intertek ETL SEMKO (Edison Testing Laboratories) U.S. and Canadian and with International Association of Plumbing and Mechanical Officials (IAPMO). Consult factory with your listing requirements.*