

Madrid lounge

NUEVO

size : 23.5 x 63 x 28.5"

SKU colours :

HGGA120 black

HGGA121 white

minimum order : 1

multiples of : 1

box size : 24.75 x 64.5 x 19"

box details : reinforced 5-ply
cardboard box

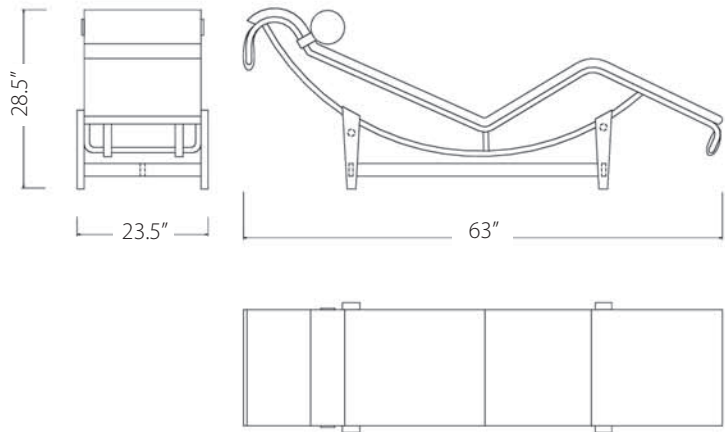
cuft : 17.6

gw : 58 lbs

nw : 48 lbs

cbm : 0.47

shipping format : LTL



assembly instructions : assembled

instruction manual : not applicable

TSSA registered : 11T-0811605

ULC registered : not applicable

technical details :

steel base frame with powder coat finish

stainless steel tube with elastisized supports

cushion CFS foam with leather finish

bolster included, \varnothing 7"