



**ASSEMBLY INSTRUCTIONS & PARTS IDENTIFICATION**  
**SOLID TOP BUTTERFLY EXT. COUNTER TABLE**  
**WITH STORAGE BASE**  
**MODEL NO: 373/477 - 55 T/B**

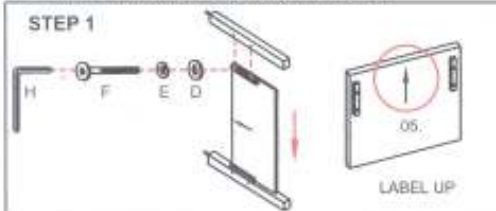


**NOTE:**  
UNIT SHOULD BE ASSEMBLED BY 2 OR MORE PEOPLE.

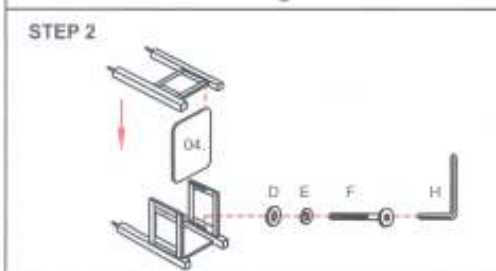
HARDWARE PARTS:									
									
NUT 3/8" 4 PCS	WASHER 3/8" x 19mm 4 PCS	LOCK WASHER 3/8" 4 PCS	WASHER M6 16 PCS	LOCK WASHER M6 x 19mm 16 PCS	JCBC BOLT M6 x 50mm 16 PCS	WRENCH 12.5mm 1 PC	ALLEN KEY M4 1 PC	KNOB 373/477-55TP04 2 PCS	TRUSS HEAD M4 x 25mm 2 PCS

\*Hardware Kits 373/477-55TP01 located in carton with table top\*

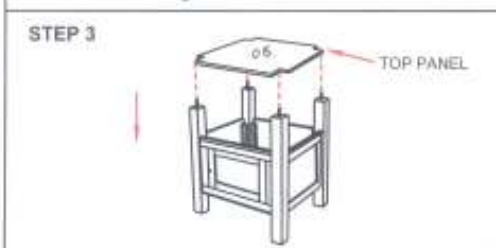
**STEP 1**



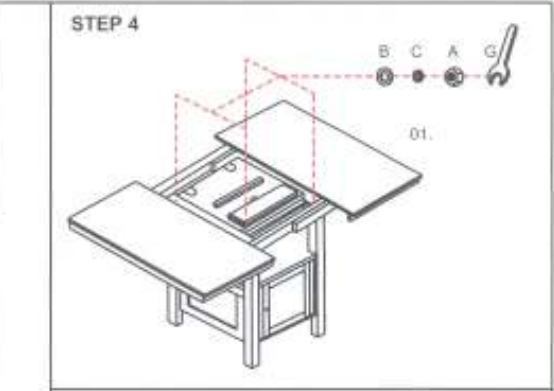
**STEP 2**



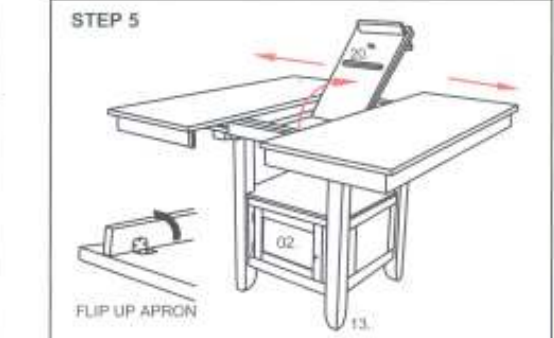
**STEP 3**




**STEP 4**



**STEP 5**



**STEP 6**



**NOTE:**  
ADJUST THE LEVELERS  
TO LEVEL THE UNIT.