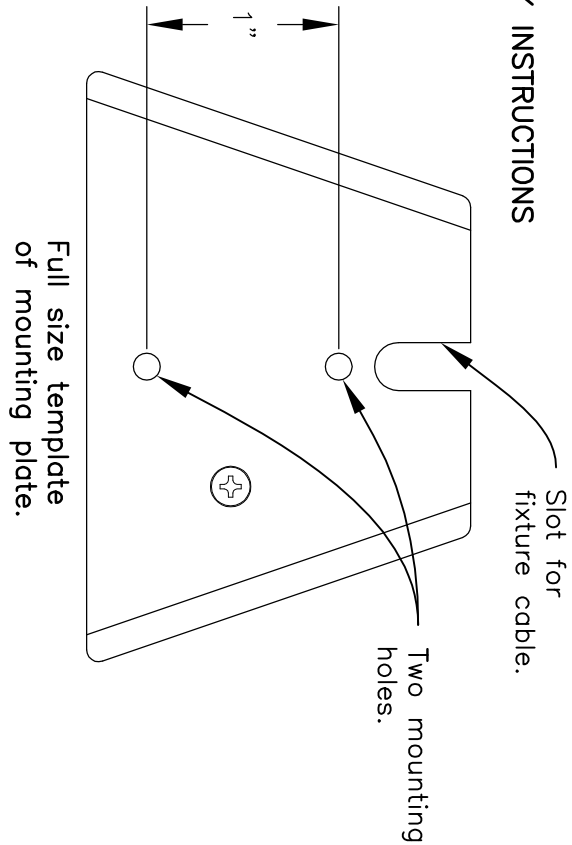
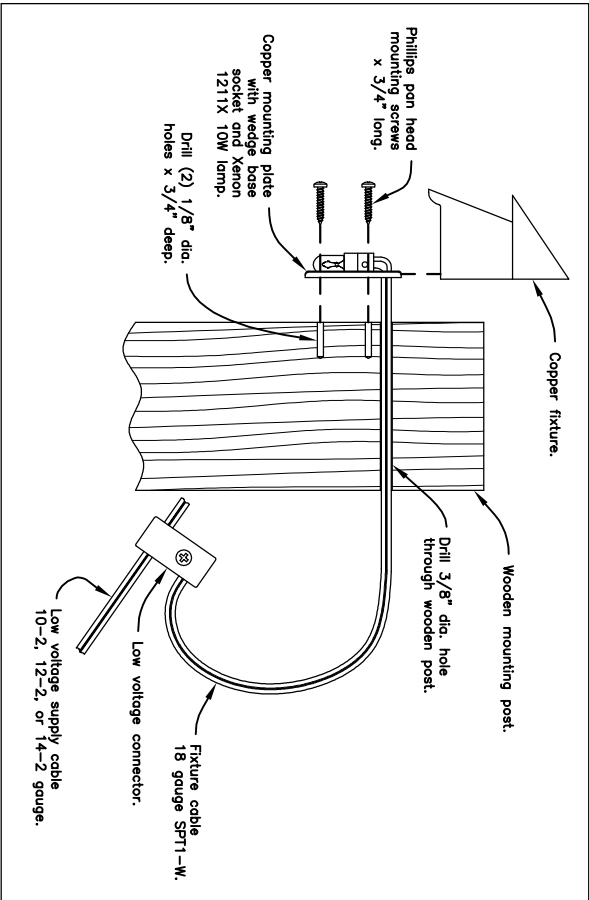


DLC560 ASSEMBLY INSTRUCTIONS

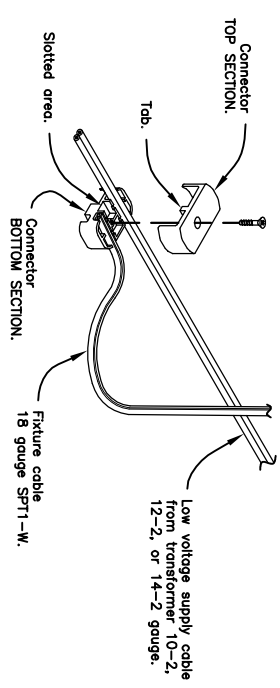
1. Do not connect any wiring until all the following steps are complete.
2. Turn power off.
3. Use template of mounting plate provided to mark mounting holes and cable hole on post at desired location.
4. Drill (2) 1/8" dia. holes 3/4" deep for mounting screws.
5. Drill 3/8" dia. hole through post for fixture cable.
6. Push cable through 3/8" dia. hole in post.
7. Use screws supplied to secure mounting plate to post.
8. Insert lamp into wedge base socket.
9. Slide flat side of fixture over mounting plate as shown.
10. Connect low voltage cable connector. See installation instructions provided on this sheet.



Full size template of mounting plate.

Low Voltage CABLE CONNECTOR FOR DLC560

1. Place 18 gauge low voltage fixture cable into small angled opening provided in the bottom section of connector as shown.
2. Place low voltage power cable (10, 12, or 14 gauge) into large opening provided in the bottom section of connector as shown.
3. Place connector halves together (be sure to align tab in the top section of connector with slotted area in bottom section). Insert screw and tighten. The preset prongs in the top section must pierce both cables to establish contact.



NOTE: Bottom section of connector can be inverted for use to connect any combination of 10-2, 12-2, or 14-2 Hanover Lantern low voltage cable.



350 KINDIG LANE, HANOVER, PA. 17331
 PH: (717) 632-6464 - FAX: (717) 632-5039