



## **Product Information Booklet Three-Stage Drinking Water Filtration System FUGAC300**

**Booklet includes:**

- Complete Product Category of Drinking Water Filtration Systems
- Tearsheets on Individual System with Technical Specifications
- Filter Replacements specific to this unit
- Compliances
- Filter/Filtration Removal Capabilities



### **EWS, INC. and Environmental Water Systems A Complete Line of Water Filtration Product from Sink to Whole-Home**

**Applicable Water Filtration Available Based on Water Conditions and Consumer Needs and/or Preferences:**

Drinking Water Filtration Systems  
Reverse Osmosis  
UV Disinfection  
CWL Series of Whole Home Filtration Appliances  
EWS Series of Whole Home Filtration & Physical Conditioning  
Softener Series  
pH Balancing  
Iron Removal  
and more...

■Municipally-Treated   ■Well Water Applications   ■Residential   ■Commercial   ■Industrial

**ALL FILTRATION PRODUCT MANUFACTURED AND ASSEMBLED IN THE USA**





## Three Stage Drinking Water Systems For Heavier Sediment and/or Particulate Applications

### Model No: FUGAC300

Improves taste, clarity and odor by removing chlorine and other volatile organic compounds. The 5-micron pre-sediment filter serves to remove suspended matter, dirt, rust and sediment and improves performance of other filters. The 20-micron pre-filter is added for heavier sediment and/or particulate water applications.

Meets or complies with NSF Standard 42.

Filter Replacement Codes: 1, 2, 6.



### Model No: FUGAC350

Improves taste, clarity and odor by removing chlorine and other volatile organic compounds. The upgraded filter also safeguards against lead and cysts (giardia and cryptosporidium). The 5-micron pre-sediment filter serves to remove suspended matter, dirt, rust and sediment and improves performance of other filters. The 20-micron pre-filter is added for heavier sediment and/or particulate water applications.

Meets or complies with NSF Standard 53.

Filter Replacement Codes: 1, 2, 7.



### Model No: UU350

This unit improves, removes and safeguards like above model FUGAC350. The additional UV module protects against bacterial, viral, E-coli and other microorganisms and is tested 99.9% effective. The 5-micron pre-sediment filter serves to remove suspended matter, dirt, rust and sediment and improves performance of other filters. The 20-micron pre-filter is added for heavier sediment and/or particulate water applications.

Meets or complies with NSF Standards 53 and 55.

Filter Replacement Codes: 1, 2, 7, 16.



All completely assembled undercounter units include the following standard features:

White 10" housing with full bed depth filtration cartridges, spanner wrench to open housings for easy filter replacement, chrome, lead-free faucet with white trim for dispensing water (other faucet options available), self-piercing saddle valve for water line connection with shut-off valve (see service guide for your correct application), all necessary tubing (color coded) to make proper connections, simple to use mounting bracket, UV lamp and setup (UV unit only) and complete service guide with installation and use instructions.



## FUGAC300

### Three Stage Undercounter Drinking Water Filtration Unit

#### Model: FUGAC300

Improves taste, clarity and odor by removing chlorine and other volatile organic compounds. The 5-micron pre-sediment filter serves to remove suspended matter, dirt, rust and sediment and improves performance of other filters. The 20-micron pre-filter is added for heavier sediment and/or particulate water applications. Meets or complies with NSF Standard 42.

- \* Faucet with Chrome, Lead-Free Dispenser (other faucet options available)
- \* Powder Coated, Corrosive Resistant Bracket Mounts Easily
- \* Quick Connect Fittings for Easy Installation
- \* 10" Heavy Duty Housings Contain our Full Sized, Full Bed Depth Cartridges for Optimum Performance and Longer Life
- \* Replacing Filters is Easy; Use the Included Spanner Wrench to Spin Housing Off, Replace Filter, Spin Housing Back On.



#### Benefits:

- \* Improves Taste, Clarity and Odors
- \* Removes Chlorine and VOC's
- \* Reduces Dirt, Silt, Sediment and Rust
- \* Replaces Costly Bottled Water
- \* Better Tasting, Quality, Filtered Water for Coffee, Tea, Juices and Ice

#### Applications:

- \* Installs Easily at Any Sink, Wet Bar or Any Point of Use Location
- \* Can be Cross-Connected (if applicable) to Refrigerators, Ice Makers and Other Devices (see our options for heaters and chillers)
- \* For All Your Drinking and Cooking Needs
- \* Safe for Pets and Plants

#### Upgrade Options:

- \* For lead and cyst removal (FUGAC350)
- \* For bacterial, viral, e-coli and/or microorganism safeguard (UU350)
- \* Reverse osmosis (5-stage units), if applicable based on water issues
- \* CWL/EWS Series for Whole Home Filtration with POE Pre-Sediment Unit

#### All completely assembled undercounter units include the following standard features:

White 10" housing with full bed depth filtration cartridges, spanner wrench to open housings for easy filter replacement, chrome, lead-free faucet with white trim for dispensing water (other faucet options available), self-piercing saddle valve for water line connection with shut-off valve (see service guide for your correct application), all necessary tubing (color coded) to make proper connections, simple to use mounting bracket, UV lamp and setup (UV unit only) and complete service guide with installation and use instructions.



# FUGAC300

## Technical Information: FUGAC300 REPLACEMENT FILTERS

<u>Part No.</u>	<u>Description</u>	<u>Replacement Time*</u>
WB-20-W	20 Micron Pleated Filter	Up to a Year
93023	5 Micron Sediment Cartridge	Up to a Year
UDF10HP	10" GAC Cartridge	Up to a Year

### FILTER SPECIFICATIONS:

#### **Pre-Filter: WB-20-W**

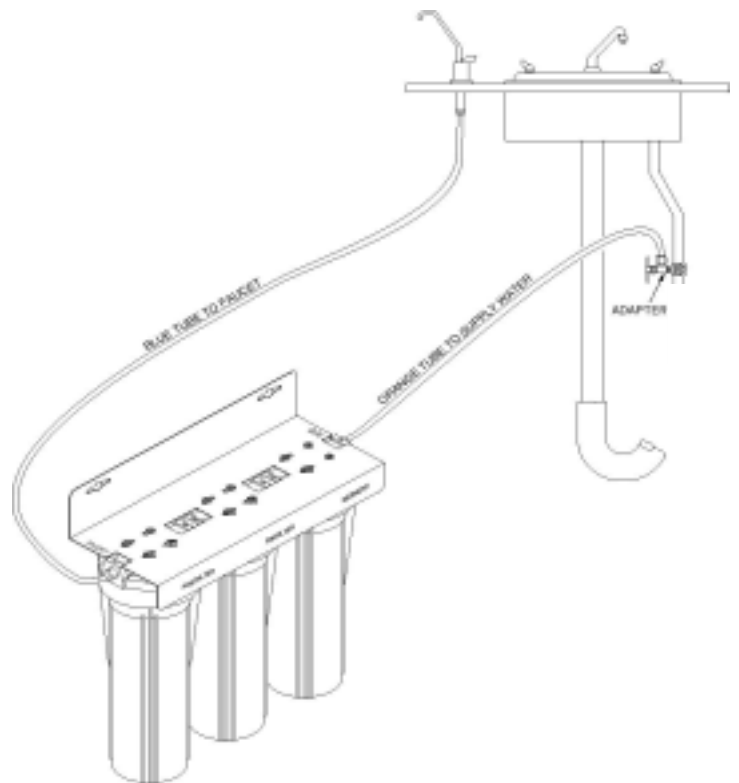
Construction: Pleated Filter  
 Temperature Range: 32°-145° F (0° - 63 C)  
 Maximum Flow Rate: 5 gpm (19 lpm)  
 Dimensions: 2 - 3/8" x 4-7/8" (61mm x 124 mm)  
 Micron Rating: 20 µm Nominal  
 Fits all Standard 10" Housings  
 Meets FDA Requirements for food and beverage contact.

#### **Pre-Filter: 93023**

Construction: 100 % Pure Polypropylene Fibers  
 Temperature Range: 40-145° F (4.4 -62.8°C)  
 Maximum Flow Rate: 5 gpm (19 lpm)  
 Dimensions: 2 - 3/8 in. x4-7/8 in.  
 (61mm x 124 mm)  
 Micron Rating: 5 µm Nominal  
 Initial Pressure Change: 2.00 psid @1.0 GPM  
 Fits all Standard 10 in. Housings  
 Meets FDA Requirements for food and beverage contact.

#### **Filter: UDF10HP**

Vibration Packed Granular Activated Carbon  
 Carbon Wt.: 0.75 lbs. Iodine Rating No. 1100  
 Temperature Range: 40° to 125°F (4.4° to 52° C)  
 Maximum Flow Rate: 1.0 gpm (3.875 lpm)  
 Dimensions: 2- 7/8 in. x 9 3/4 in. (73 X 248 mm)  
 Micron Rating: 5 µm Nominal  
 Initial Pressure Change: 2.00 psid @1.0 GPM  
 Chlorine Reduction: 2,500 Gal. @ 1.0 GPM  
 Fits all Standard 10 in. Housings  
 Cartridge is Tested and Certified by International  
 ANSI/NSF Standard 42 - Conforms to requirements



Tubing Size: 1/4 in. O.D  
 System Weight: 18 lbs. /8 Kgs.  
 System Size: 14 in. W x 6 in. L x 12 in. H / 36 cm x 15 cm x 21 cm  
 Min/Max Water Temperature: 40° / 80 °F - 4.4 / 62.8C  
 Max Water Pressure: 75 PSI / 5.86 Bar  
 Housing Inlet / Outlet Size: 1/4 in. O.D. tube female  
 Quick Connect x 1/4 in. MNPT  
 Flow Rate : <1.0 GPM / 3.78 LPM - Designed system flow rate to insure proper filtration tolerances.

### SHIPPING INFORMATION

Carton Size.:14 in. W x 6 in. L x 16 in. H

For other performance requirements or applications, other models are available.

\*Based on local water conditions and usage.



## Pre-Sediment Filter Replacements for FUGAC300

**Filter Code No: 1**  
**Model No: 93023**  
**Replace: up to a year\***  
**Pre-Sediment Filter (5-micron)**

5-Micron Prefilter (93023) is a pure, high quality polypropylene depth filter, with no fillers or binders, with exceptional dirt holding capability. The removal of any dirt, silt, rust or suspended matter protects the remaining cartridges and extends the performance of other filters. This Prefilter is standard in all our undercounter drinking water systems and reverse osmosis units.



Meets or complies with all FDA requirements for food and beverage contact.

**In Use With: All Drinking Water Filtration Systems**

**Filter Code No: 2**  
**Model No: WB-20-W**  
**Replace: up to a year\***  
**Pre-Sediment Filter (20-micron)**

20-Micron Prefilter (WB-20-W) is a pleated filter with exceptional dirt holding capability. The removal of any dirt, silt, rust or suspended matter protects the remaining cartridges and extends the performance of other filters. This Prefilter is standard in all our three stage undercounter drinking water systems for very particulate water conditions.



Meets or complies with all FDA requirements for food and beverage contact.

**In Use With: Three-Stage Drinking Water Filtration Systems (only)**  
**FUGAC300, FUGAC350, UU350**

**See following page for Post-Filter and UV Lamp Replacements**

**\*Replacement is based on local water conditions and usage.  
Replace as needed and/or not beyond recommended time limit**



## Post Filter Replacement for FUGAC300

**Filter Code No: 6**

**Model No: UDF10HP** (Good)

**Replace: up to a year\***

### **Granular Activated Carbon (GAC) Postfilter++**

This vibration packed cartridge uses the highest quality (Iodine No. 1100) granular activated carbon for effective reduction of taste, clarity and odor problems such as Chlorine and VOC's. Cartridges are designed to allow water to pass through entire carbon bed to allow maximum adsorption.

This Postfilter is standard in our; FUGAC100, FUGAC200, FUGAC300 and all Reverse Osmosis Units.

Meets or complies with NSF Standard 42. See Removal Reference Chart.

**In Use With: FUGAC200, FUGAC300**

++Compare to loosely filled cartridges using carbon of lower Iodine No's. (industry standards are 600-650, imported filters may meet minimum compliances at 450). Be cautious of impregnated papers, KDF media and/or combined materials and filter purposes. Be aware of smaller filter diameters and limited time, usage and replacement requirements.



**■For upgraded filtration capabilities,  
see the Better (FUGAC350), Best (UU350), or, if applicable,  
our selection of Reverse Osmosis Systems.**

**■For filtration to the whole home see our CWL or EWS Series  
of whole home filtration appliances.**

**\*Replacement is based on local water conditions and usage.  
Replace as needed and/or not beyond recommended time limit**



## FDA, EPA and NSF Compliances

Please be advised that all the materials and components utilized in producing all POU (Point of Use) drinking water filtration and reverse osmosis systems, and all POE (Point of Entry) filtration, conditioning and softening equipment, by EWS, Inc., comply with, but are not limited to, one or more of the following regulating standards:

NSF STANDARD 14	FDA 21 CFR 177.1520	FDA 21CFR 177.1640
FDA 21 CFR 177.1350	FDA 21 CFR 175.105	CAS # 7440-44-0
ANSI 304	CDA C360000	NSF STANDARD 60
NSF STANDARD 61	NSF STANDARD 58	ANSI 302
ANSI 316	FDA 21 CFR 177.2600	FDA 21 CFR 175.300
FDA 21 CFR 177.2550	NSF STANDARD 52	NSF STANDARD 42
NSF STANDARD 18	FDA 21 CFR 177.2550	FDA 21 CFR 177.1655
FDA 21 CFR 177.1630	FDA 21 CFR 177.2800	FDA 21 CFR 175.300
FDA 21 CFR 177.2260	FDA 21 CFR 181.32	FDA 21 CFR 177.2660
FDA 21 CFR 177.1950	FDA 21 CFR 177.2910	FDA 21 CFR 177.2250
FDA 21 CFR 177.1680	NSF STANDARD 53	NSF STANDARD 55

■ Most of these standards relate to the Code of Federal Regulations of the United States of America, Title 21, Charter 1, Subchapter B set forth by the U.S. Food and Drug Administration.

■ The NSF (National Sanitation Foundation) standards correlate to materials and potable water.

Furthermore, and without, exception every component included in all POU and POE systems by EWS, Inc. are compliant for food and beverage contact and/or meet or comply with the most current, appropriate, and applicable standards without exception.

### Factory Preparation Summary:

All systems are factory prepared and thoroughly checked to assure proper function and if applicable, quality tests of product water produced to assure that minimum standards of rejection have been met, and/or tests of specific components to assure correct function and flow rate measurements to assure efficiency specifications are met.

### Product Performance Summary: Detailed in Section 5, pg. 5-34

◆ For all product capabilities, compliances and/or warranties to remain valid, all systems are dependent upon proper application, specification, and installation of any specific unit and/or combination of units.

◆ Please know your local or individual water condition(s), and plumbing application(s). Please review system(s) capabilities, applications, setup, installation, startup, maintenance, and related warranties.

◆ Detailed information is published in EWS Product Manuals and specific Product Service Guides (included with each specific unit) and made available upon request throughout US distribution and/or EWS corporate offices. All current information is available online @ [www.ewswater.com](http://www.ewswater.com) or [www.ewswater.com/techandspec.html](http://www.ewswater.com/techandspec.html)



UDF10HP GAC Filter Cartridge

Filter cartridge UDF10HP meets or complies with NSF Standard 42 for reduction of Chlorine and other Volatile Organic Compounds. The UDF10HP utilizes a vibration packed, high performance granular activated carbon (Iodine No. 1100) which provides exceptional filtration capacity and effectively reduces chlorine, voc's, bad taste and odor in drinking water.

In use with: FUGAC100

GRANULAR ACTIVATED CARBON (GAC) Reference List

Below is a simple reference chart to give some perspective as to GAC's capabilities with various substances. Some items are heavy metals and inorganics, while others are VOC's (volatile organic compounds), some of which are man-made pollutants. Still other items, such as hardness, are not even considered contaminants. In general, GAC is very economical and a great compliment to municipally-treated water without the disadvantages of more aggressive filtration. GAC is used in all filtration due to its removal capacities. Know your water to select the correct product for you, your family and your home.

- See the Upgraded PB-1 for greater GAC capabilities (FUGAC150, FUGAC250, FUGAC350)
UV disinfection for greater safeguards (UU250, UU350, optional with Reverse Osmosis)
See CWL or EWS whole home appliances for GAC filtration to the entire home.

Table with 5 columns listing various substances and their GAC removal ratings (0-5).

KEY TO THE ABOVE LIST:

5- EXCELLENT - A proven application 4- VERY GOOD - A proven application 3- GOOD - very acceptable result
2- FAIR - limited application 1- POOR - not a recommended application 0- Not an application for GAC



## Chiller KMA-200-C

**EWS presents the option of chilled water with any of our undercounter water filtration systems or our selection of whole home water filtration appliances**

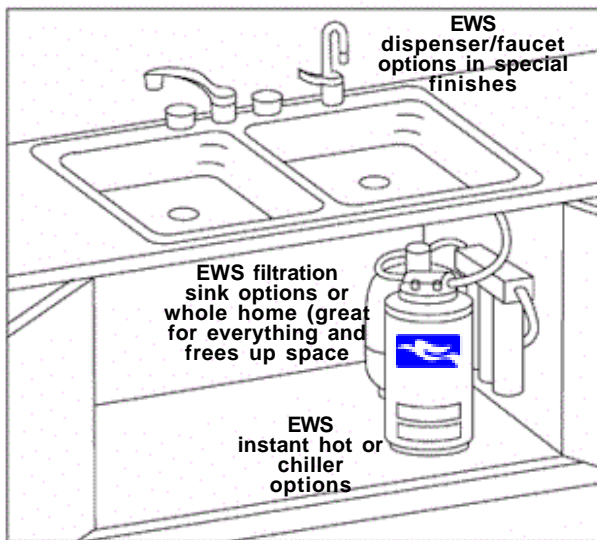
EWS Model Number: KMA-200-C

### The Perfect Residential In-Line Water Chiller.

- Delivers over two gallons of cold water per day.
- Advanced and Proven Thermoelectric Technology, used throughout Europe. No old and inefficient compressors.
- Compatible with all EWS residential drinking water and reverse osmosis systems, and all CWL/EWS whole home appliances.
- Compact size & easy undercounter installation.
- Quiet, efficient & reliable.
- Operates under normal household pressure.



### Cold Water at Your Fingertips!



**Dimensions:** 8" diameter x 18.5" height **Weight:** 12 lbs.  
**Maximum Water Pressure:** 60 psi  
**Electrical:** Separate UL listed 120 vac or CE marked 240 vac Power Converter. Chiller operates on 12 vdc and 4 amps.  
**Compliance:** All waterways are constructed of NSF and/or FDA compliant materials.

### Why Chilled Water?

- Eliminates the need for dispensing water in the refrigerator/freezer, which can be costly and takes up valuable freezer shelf and door space.
- Puts the chilled water at the sink for easy usage. Fill any size cup or bottle with cold filtered water.
- Avoids the spills of dispensed refrigerator water. No more mess at the drain and on the floor.
- A perfect compliment for those consumers purchasing separate stand alone ice-makers.

#### To buy an instant hot or chiller ?

EWS can provide you both and with all your water filtration options. Microwaves provide hot water very quickly for most usages without storing stale water.\*\*\*

Chilled water is wonderful for drinking, used more frequently, and may be a more preferred option.

\*\*\* EWS has heaters available, however the pricing of other companies and big box retailers have stifled any opportunity to create a better unit. They just dress them up. Heaters are prone to failure and a consumer nightmare when they leak. Heaters are unnecessary anyway - instant coffee anyone?



## Point of Use (sink) Pressure Limiting Valve Highly Recommended

- This device is of vital importance to reduce pressure or prevent pressure surges above 60psi.
- All heaters and chillers have warranty issues with water supply pressure exceeding 60psi.
- All Point of Use (sink) Product function best above 40psi but should be limited to 60psi for optimum performance and product longevity.

Item #: FMP-60

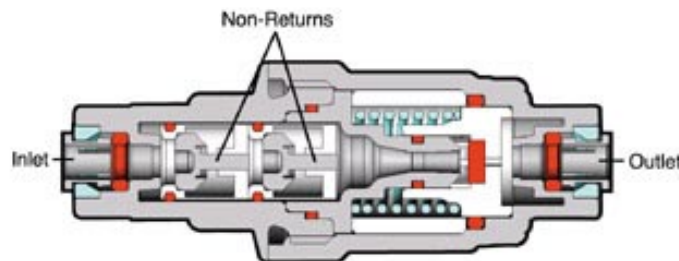
**High pressure system to protect drink dispensers,  
water filters, ice makers, coffee machines,  
chillers (cold water systems),  
hot tanks (hot water systems) and other devices**

Easy to install at supply side to any device  
Simple connection with supplied quick connect  
fittings to 1/4" tubing

- Integral Dual Check Valves • Resists Water Hammer
- Stops backflow • Supplied with fixing clip



**This device is highly recommended with the use of  
all Chillers, Heaters, In-Lines,  
and all other Point of Use filtration systems**





### Dispenser Finish Options

All Drinking Water Systems and Reverse Osmosis Systems include: Standard long-reach dispensers  
Chrome with white tip and handle trim (air gap adaptor included - RO unit only)

### To Order with Any Unit as an Upgraded Dispenser

Select Finish Option	Upgrade and Order Complete with any EWS Point of Use (sink) Filtration System <i>ADD the Finish Code to the EWS Model # (ie: UU250 - SN)</i>
PVD Satin Nickel	xxxx - SN
PVD Polished Nickel	xxxx - PN
PVD Polished Brass	xxxx - PB
PVD Oil Rubbed Bronze	xxxx - ORB

All PVD Finish Options come with black trim



### Important:

Water filtration is not an add-on, gimmick or accessory.  
It is a primary consideration for you and your family.

Once you have selected a sink filtration system, then select the dispenser you would like to see the water coming from.



## EWS, Inc. / Environmental Water Systems

The complete EWS, Inc./Environmental Water System product line from sink to whole-home, available through:



Available on the Internet through Authorized Retail Web Distributors

[www.waterontheweb.com](http://www.waterontheweb.com)

and

Business-to-Business E-Commerce Distributors.

Available through Authorized Building Wholesale Supply Locations, Kitchen & Bath Showrooms and Appliance Dealers, and their Building and Plumbing Contractors throughout the United States.



### **EWS, INC. and Environmental Water Systems A Complete Line of Water Filtration Product from Sink to Whole-Home**

**Telephone:** 702-256-8182  
M-F, 8:30am - 4:30pm  
Pacific Standard Time

**Fax:** 702-256-3744

**E-Mail:** [customerservice@ewswater.com](mailto:customerservice@ewswater.com)

**Web Site:** [www.ewswater.com](http://www.ewswater.com)

For all product information, service guides, technical specifications, well water applications, go to: [www.ewswater.com/techandspec.html](http://www.ewswater.com/techandspec.html)

**ALL FILTRATION PRODUCT MANUFACTURED AND ASSEMBLED IN THE USA**

