



Care and Use Manual

Drinking Water Filtration Systems

Information Provided for the Proper Set-Up, Installation and Start-Up of the following Filtration Systems

- **Two-Stage Undercounter Drinking Water Filtration Units:**
FUGAC200, FUGAC250, UU250
- **Three-Stage Undercounter Drinking Water Filtration Units:**
FUGAC300, FUGAC350, UU350
- **In-Line Filtration Units:**
FUSED100, FUGAC100, FUGAC150



ALL PRODUCT PROUDLY MANUFACTURED AND ASSEMBLED IN THE USA

To the Consumer:

Retain this Care & Use Manual for Maintenance and Information

You Must Register this Product - It is a Requirement for Warranty



A Special Message to Our Customers,

EWS, Inc. and Environmental Water Systems would like to thank you for your consideration in selecting from our comprehensive list of residential filtration and conditioning product.

We recommend that you take the time to read the information that pertains to your product as you begin to use it.

The information in this manual is designed to assist your installer to set-up, install and start-up your system properly. In addition, the information contained in this manual is designed to provide the consumer, the most comprehensive information on this series of product.

Please contact us if you have any questions, comments or additions to the information provided.

Sincerely,
Customer Service at EWS, Inc.



EWS, Inc. and Environmental Water Systems
9101 W. Sahara Ave., Suite 105-J8
Las Vegas, NV. 89117

Office: 702-256-8182 Available Monday through Friday, 8:30 - 4:30 Pacific Standard Time
Fax: 702-256-3744 Dedicated and Available 24/7
E-Mail: customerservice@ewswater.com
Web Site: www.ewswater.com

Installation of the Filtration System - Please Read the Enclosed Information

Please take the time to familiarize yourself with the unit you are about to install. The Table of Contents will point to specific instructions for the simple step-by-step instructions for;

- Installation of a Dispenser/Faucet
- Placement or Locating the Water System
- Inlet Supply Water Connection
- Connection of Tubing from Supply and to Dispenser/Faucet
- System Start-Up and Operation Procedures

You may need the following for proper installation:

- Teflon tape
- Work Gloves
- Safety Glasses
- Knife or scissors
- Adjustable Wrench
- Pliers
- Screwdriver; straight & phillips
- Drill & drill bits

WARNING: Verify that all components are included with the unit and were not lost, misplaced, or damaged in shipping or handling. Any damage in shipping needs to be reported to the shipping company.

WARNING: Do not attempt to install this system using defective or damaged components. Check and inspect, inlet and outlet fittings and any other connections on this system that might have been damaged during shipping and handling. Check all these components again upon installation and start-up for any hidden issues. All plumbing should be done in accordance with all local plumbing codes. Water Pressure: minimum 25psi, maximum 65psi. Water Temperature Range (cold supply only): not to exceed 110°F or below 40°F. Electrical (if applicable): an uninterrupted a/c supply, (if applicable): make sure voltage supply is compatible with your unit prior to install

WARRANTY: Warranty Registration of this product is required to have a warranty. A proper installation and start-up will save you time, money and hassles, and is also required for warranty purposes. Any issue as a result of improper application, set-up, installation and/or start-up will void any warranty.



Table of Contents

INSTALLATION SUMMARY AND INDEX OF YOUR DRINKING WATER FILTRATION SYSTEM

Placement or Locating the Dispenser/Faucet	4
Installation of the Supplied Dispenser/Faucet	5
Dispenser/Faucet Q & A	6
Placement or Locating the Water System	7
Inlet Supply Water Connection	
Basic Supplied Connection	8
Preferred Connection	9
Connection of Tubing from Supply and to Dispenser/Faucet	10
System Start-Up and Operation Procedures	11

HOW TO MAINTAIN YOUR SYSTEM

Replacement of Filter Cartridges	12
Replacement of UV Lamp (if applicable)	13
Optional Disinfection Procedure of Empty Unit	13

GENERAL INFORMATION

Water Filtration Systems Included in this Care and Use Manual	14
---	----

FILTER REPLACEMENTS AND ORDERING

Filter and UV Lamp Replacements	16
Ordering Filters, UV Lamp Replacements, and Parts	17
Trouble Shooting Guide	18
Schematics	20
Warranty	24
Terms and Conditions of Sale	26



Placement or Locating the Dispenser/Faucet

Step by step instructions to mount and secure the supplied dispenser/faucet
Professional Installation is Strongly Recommended

Step 1: Locate Faucet Parts Bag

Parts Included: faucet body with handle, faucet spout with tip, decorative washer, black rubber washer, white beveled washer, lock washer, hex nut, 1/4" tube insert sleeve,
Included 1/4" plastic compression ferrule, 1/4" compression nut
Optional Part: flat white washer (for use under decorative washer depending on hole/application)

Preferred - Select a standard sink location to mount the faucet.

It is recommended that the faucet be placed in a hole provided on most sinks similar to the ones used for a sprayer, soap dispenser and/or dishwasher air gap. If the hole or space is unavailable, an alternative location will be required: MINIMUM HOLE REQUIRED 1/2", MAXIMUM 1 3/8"

Option A: On the sink. This option is to drill a new hole into the sink rim itself, if space allows.

Option B: On the countertop next to a sink. This option is to position the faucet spout in the correct location to drain into the sink. This requires a clearance around the faucet both above and below the countertop. Use the supplied dispenser as a template or see the enclosed dispenser schematic and dispenser dimensions.

Prepare to drill the hole using the dispenser as a template.

- Sinks can be made of, but not limited to, stainless steel, copper, porcelain/steel, enamel/cast iron, man-made surfaces, stone, concrete, and/or materials known or unknown at this time.
- Countertops can be made of, but not limited to, or be a combination of, natural stone, enamel, porcelain, concrete, wood, metals and/or man-made materials known or unknown at this time.

CAUTION: Please consult with the sink or countertop manufacture, supplier, fabricator, or installer for proper drilling techniques and methods.

EXTREME CARE MUST BE TAKEN IN DRILLING THE HOLE FOR ANY SURFACE. THE SURFACE MATERIALS OF SINKS AND COUNTERTOPS CAN CHIP OR CRACK. THE MANUFACTURER ASSUMES NO RESPONSIBILITY FOR ANY DAMAGE RESULTING FROM THIS INSTALLATION.

WARNING: USE SAFETY GLASSES OR OTHER EYE PROTECTION WHEN GRINDING OR DRILLING TO PREVENT POSSIBLE EYE INJURY DUE TO FLYING PARTICLES.

**Follow Steps 2 through 12
 Installation of the Supplied Dispenser/Faucet**





Installation of the Supplied Dispenser/Faucet

Step by step instructions to mount and secure the supplied dispenser/faucet
If using another faucet, please review the instructions included with that product**

Above the Surface

Step 2:

Place decorative washer to bottom of faucet body
(optional: place flat white washer under decorative washer)

Step 3:

Place black rubber washer below decorative washer
(or below optional flat white washer)

Step 4:

Place faucet stem through hole and center

Below the Surface

Step 5:

Insert white beveled washer, bevel side up to fit snugly into a (1 3/8") pre-drilled hole or flat side up depending on the application

Step 6:

Place lock washer on this white beveled washer

Step 7:

Spin hex nut onto faucet stem and tighten hex nut and washers into place

Step 8:

Slide 1/4" compression nut (threads up) onto 1/4" filtered line

Step 9:

Slide 1/4" plastic compression ferrule, long side down onto filtered water tube. Ferrule will seat into compression nut

Step 10:

Insert 1/4" tube insert sleeve into 1/4" filtered water line

Step 11:

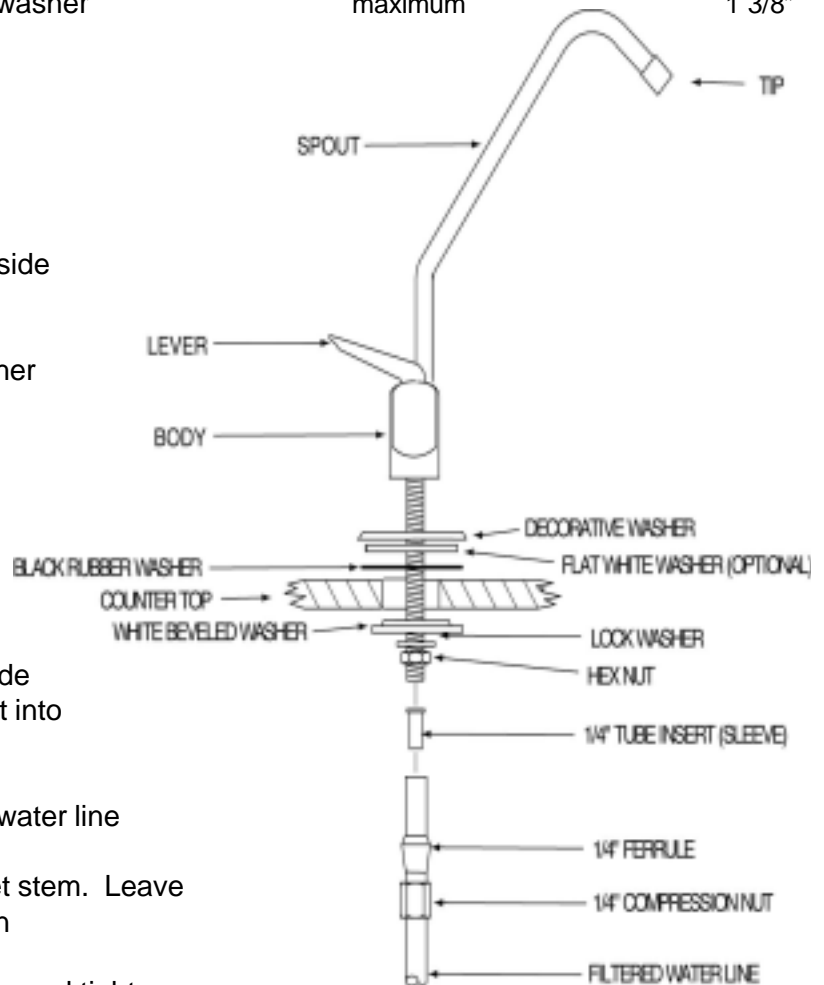
Insert 1/4" blue (filtered water) tube into faucet stem. Leave other end available for system interconnection

Step 12:

Thread 1/4" compression nut onto faucet stem and tighten

Enclosed Dispenser/Faucet Dimensions***

Height: from deck to top of dispenser	8"
from deck to tip of dispenser	6 1/4"
Reach: from center of dispenser to tip	6"
Hole: minimum required	1/2"
maximum	1 3/8"



CAUTION: Do not overtighten fittings

Note: Spout pulls out from faucet body and has 2 o-rings at base. Insert completely into bottom of faucet body to prevent leaking. Spout swivels to direct water. Handle and tip can be removed. Handle can be locked up in open position.

** Other faucets check with specifications.

***All dimensions are approximate.

Go to the Placement or Locating the Water System





Dispenser/Faucet Q & A

Q: I do not want to drill any extra holes or use a separate dispenser/faucet - what can I do?

A: An alternative to installing and using the dispenser/faucet is to consider a direct connection to your existing kitchen (cold side) faucet. Connect the supply from the cold water angle stop to feed/inlet side of the filtration system as directed in this manual. Then connect the filtered/outlet side to the cold feed side of the kitchen faucet. Special fittings, that are readily available to the plumbing professional, will be required to fit this application based on line size and materials used.

WARNING: This is not a preferred method due to a more complicated install, lower flow rates to your kitchen faucet and most importantly, the possibility of water quality issues as a result of the aerator at the end of the kitchen faucet not intended for filtered water.

Note: There will be a diminishment in your flow rate to the cold side of the faucet (kitchen faucet has a flow rate of up to 2.3 gallons per minute and the filtered water is delivered up to 1 gallon per minute). To get filtered water you must be sure you have the faucet to the cold side only. This application or option may not be applicable for reverse osmosis systems.

Q: I would like to use another dispenser/faucet?

A: Based on many styles and finishes, a consumer may have another dispenser they would like to use. No problem, all these items have universal or industry standard fittings, or if not, can be easily adapted to fit.

Note: EWS, Inc. includes a standard chrome, long-reach, lead-free faucet with white handle and tip.

Options: EWS provides the following options to match other items at an additional charge;
Change your white tip and handle to black
Change your faucet to the following finishes; white faucet (with white tip and handle), satin nickel, polished nickel, polished brass, or oil rubbed bronze (all with black handle and tip).
Inquire with your local EWS, Inc. distributor, contact an authorized internet distributor or visit us on the web (see page 4.1-17 for more details).

Q: Can we connect the filtered water up to other devices?

A: Yes, simply connect by a "T" connection, the filtered water line to any instant hot, chiller, ice-maker, refrigerator, etc. Regarding flow rate, be mindful of too many (3 or more) connections and/or any length limitations in excess of 15 feet to any item that may create issues with delivery rates. See our Point of Entry, Whole Home Appliances to filter all the fixtures within the home.

Note: Spout pulls out from faucet body and has 2 o-rings at base. Insert completely into bottom of faucet body to prevent leaking. Spout swivels to direct water. Handle and tip can be removed. Handle can be locked up in open position.

Other faucets check with specifications.
All dimensions are approximate.



Placement or Locating the Water System

Simply place the water system on a level floor, cabinet bottom or horizontal surface.
Always assume for enough space and tubing to remove, move and/or adjust for filter replacement and maintenance.

If mounting the system to a wall, cabinet side or other vertical surface,
Please see the following;

Step 1: All filter cartridges for the system are preinstalled. If the unit is installed in a permanent hanging position, a minimum clearance of 2" will be required to allow filter replacement.

Step 2: Mark pilot holes using the bracket as a template.

Step 3: Using a drill bit or punch, drill a hole or punch as a starter hole to catch the mounting screws.

WARNING: ALTERNATIVE FASTENING METHOD MAY BE REQUIRED FOR PLASTER BOARD, PARTICLE BOARD OR SIMILAR MATERIAL INSTALLATION. USE SAFETY GLASSES OR OTHER EYE PROTECTION TO PREVENT POSSIBLE EYE INJURY DUE TO FLYING PARTICLES.

Step 4: Set mounting screws (provided) with screw driver. Leave a 1/4" gap between the screw head and mounting surface to allow the bracket to slide on easily.

Step 5: Slide the bracket over the screws and hang the unit. Make sure unit is level. Now make the connections of tubing to/from the system.

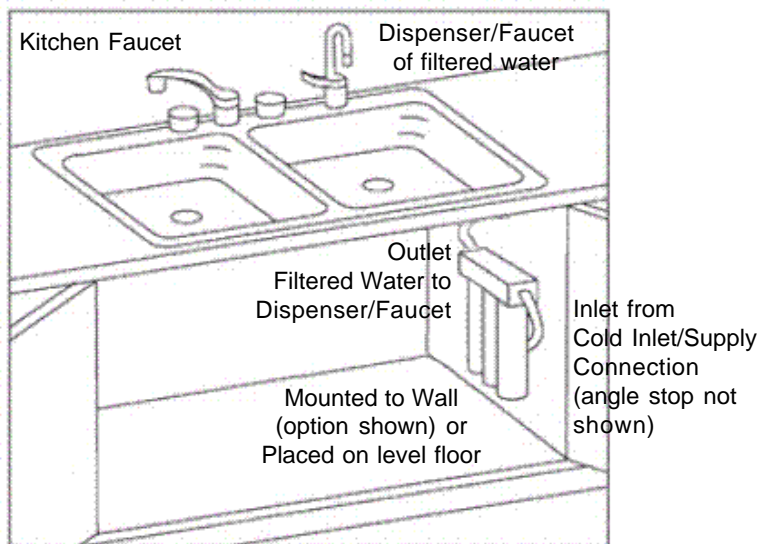
Helpful Hint:

Find the enclosed Spanner Wrench that came with the unit and place it on top of the bracket.

When finished, roll up this Service Guide and place on top with wrench.

Take a note of the Model # and WQA Serial # for the required warranty registration of this unit.

This Service Guide and the wrench will come in very handy when it's time for filter replacement.



strictly for illustration purposes only

Go to the Inlet Supply Water Connection





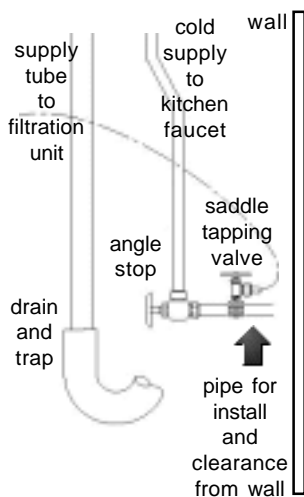
Basic Inlet Supply Water Connection **

Professional Installation Using a Preferred Connection is Strongly Recommended

**This unit is supplied with a saddle tapping valve and should be considered a basic connection for copper, steel or brass 3/8" to 1/2" O.D. pipe prior to the angle stop shut-off of the cold water line to the kitchen faucet. This should be considered a "do-it-yourself" connection which is not applicable in many situations and may not meet local codes. A qualified plumber should choose to make the inlet supply water connection by a more preferred method.

Instructions from the bag containing the supplied saddle tapping valve, if applicable

Step 1: From parts bag locate: saddle tapping valve and 4' of 1/4" tubing, color coded: red or orange (supply line to unit).



Step 2: Locate cold water line that feeds your existing faucet. Determine if there is enough space to install the saddle tapping valve on the hard line between the wall and the angle stop.

CAUTION: USE ONLY COLD WATER LINE. NOT INTENDED FOR SUPPLY BY HOT WATER.

Step 3: Shut off the main water supply to the house and open the faucet to relieve water pressure in the hard pipe. NOTE: Shutting the angle stop only, still leaves water in that pipe. Shut the main supply.

CAUTION: Do not turn valve handle before or while installing the "saddle tapping valve". Make sure the piercing lance does not protrude beyond the rubber gasket. Failure to do this may result in damage to the piercing needle.

NOTE: For Copper Pipe - go directly to #4.

For Steel or Brass Pipe - follow A, B, C below, then go to #4

A: Drill a 3/16" hole in pipe. Use a hand drill to avoid shock hazard.

B: Turn handle to expose lance beyond the rubber gasket no more than 3/16".

C: Place body of valve over hole so the lance fits into the hole

Step 4: Loosely assemble saddle tapping valve on pipe

A: For all 3/8 O.D. pipe, use side of bracket with side projections toward or against pipe to prevent distortion of tubing.

B: For all 1/2 O.D. pipe, use "V" side of bracket with that notch toward or against pipe.

Step 5: Tighten screws evenly. Make sure brackets are parallel, then tighten firmly until the valve is not moving on the pipe.

CAUTION: Do not over tighten fittings.

Step 6: Connect the 1/4" plastic tubing to the saddle tapping valve by following these instructions:

A: Slide 1/4" compression nut over plastic tubing with threads toward the saddle tapping valve.

B: Slide 1/4" plastic ferrule over plastic tubing with long tapered side toward saddle tapping valve.

C: Place 1/4" brass insert sleeve into the end of the 1/4" or orange/red plastic tubing.

D: Insert orange/red tubing into saddle tapping valve. Leave other end available for system interconnection

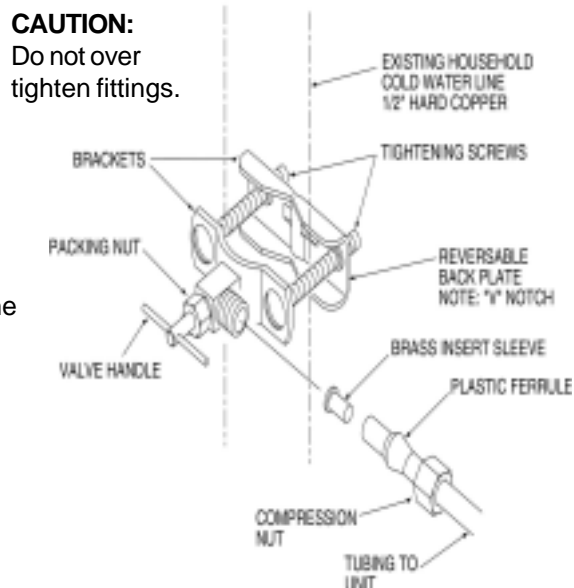
E: Tighten compression nut onto saddle tapping valve.

Step 7: Be sure the packing nut is tight, then turn the handle of the saddle tapping valve clockwise until it is firmly seated. **NOTE:** For Copper Pipe - the pipe is now pierced.

HINT: Back the end of the piercing lance out, turning the handle counter-clockwise. Then re-insert by turning the handle of the saddle tapping valve clockwise until it is again firmly seated. This will clear any possible debris that can block piercing lance and water flow.

Step 8: Turn the handle counter-clockwise to open the valve for water supply. Keep main line shut off and proceed with the remainder of the installation and start-up.

SADDLE TAPPING VALVE



CAUTION: Do not over tighten fittings.



Preferred Inlet Supply Water Connection - All Applications

Professional Installation Using a Preferred Connection is Strongly Recommended

A qualified plumber should choose to connect the inlet supply water supply by a more preferred connection. ***

The Preferred Inlet Supply Water Connection is Applicable in All Applications and Codes Replace the Angle Stop with a Proper 3-Way Fitting:

There are a number of options to properly install any one of these drinking water filtration systems.
Identify the cold water supply line and then you will need to know;

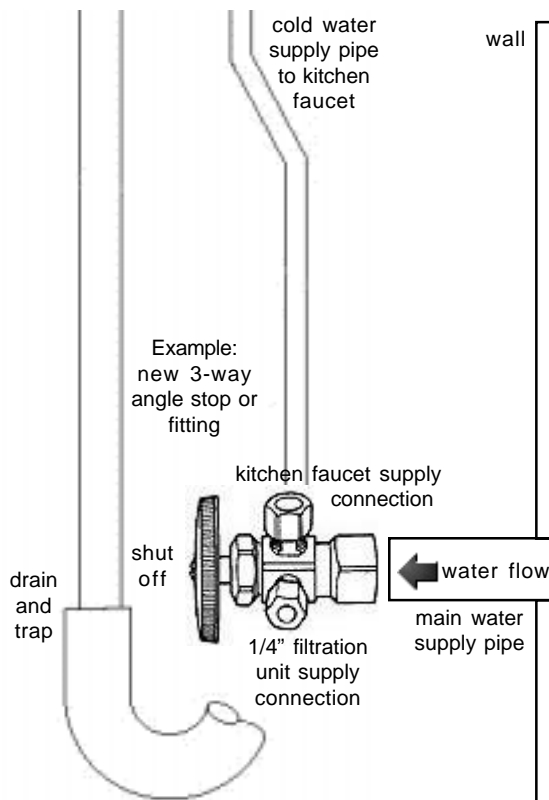
- Size or O.D. diameter of pipe or tubing
- Pipe material (hard or soft copper, steel, brass, stainless, PVC, plastic, etc...)
- The existing angle stop or fitting will assist in determining the proper 3-way angle stop or fitting needed for your specific application

A more preferred method to connect the inlet supply line is to shut off the water main and replace the entire angle stop. This will have a connection from the house main water line, a connection to the cold water side to the kitchen sink faucet and a much better connection for the inlet supply to the filtration unit. This will provide one fitting with a shut off to the kitchen faucet and a shut off to the filtration system. The replacement of the angle stop is a better plumbing connection and any number of fittings can be used for the correct application under any circumstances.

Examples of common connections and fittings available:

- OPTIONS:
1/2" IPS x 3/8" compression x 1/4" compression
3-way angle stop
- OPTIONS:
1/2" compression x 3/8" compression x 1/4" compression
3-way angle stop

Note:
Be sure one outlet is 1/4" compression for the water filter 1/4" inlet/supply tubing



Proper installation is dependent on your specific application and the concept of proper installation is universal.
Locate the supply, shut off your main water supply, install the proper connections and follow the remaining instructions in this manual.

***EWS, Inc. can not anticipate all the different locations, applications and materials used by your builder and/or plumbing contractor regarding your household or sink piping, therefore we offer a generic and common fitting with proper instructions. A qualified plumber, plumbing supply location, or hardware store will have no problem with alternative parts and advice necessary to install your unit.

Go to the Connections of Tubing to and from System





Connection of Tubing from Supply and to Dispenser/Faucet

Step 1: **Before Making the Connections - Remove Colored Vinyl Plugs Correctly**
This system may have come with sample plugs. Please remove before installation.

WARNING: NEVER ATTEMPT TO REMOVE TUBING OR SAMPLE PLUGS BY JUST PULLING.
 Follow simple instructions illustrated below to remove properly.

INSPECT: Inspect the fitting for any damage from shipping, handling and/or delivery. STOP, if collet is damaged in any way; call, fax or e-mail customer service for a replacement fitting.

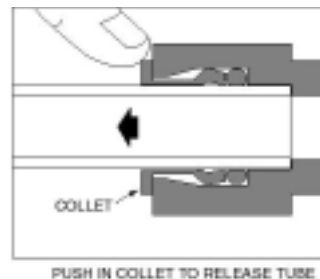
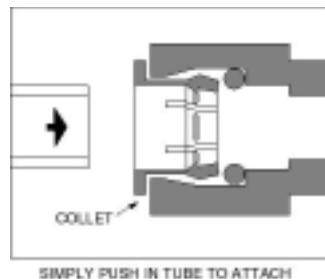
Step 2: **Making the Connections from Inlet/Supply Connection to Unit
 and from Unit to Faucet/Dispenser**

Firmly insert the tubing completely into the fitting.
You may feel a resistance at the o-rings when you insert the tubing.

Step 2a: Connect the orange/red tubing from the installed Inlet/Supply Connection to the location on the unit labeled "FEED" (into "Prefilter" housing for all 2-Stage Units, "Sediment" housing for all 3-Stage Units, or at "Inlet" for Single-Stage, In-Line Units). This is the raw supply water into the system. Insert and press the tubing firmly and completely into the fitting.

Step 2b: Connect the blue tubing from the installed Dispenser/Faucet to the location on the unit labeled "FAUCET" (out of "Postfilter" housing for all Units or at "Output" for Single-Stage, In-Line Units). This is the filtered water line. Insert and press the tubing firmly and completely into the fitting.

Never Pull Tube Out To
Remove
Push Collet In To
Release



To Test Integrity of Fitting,
Give a Gentle "Tug" To
Insure Proper Connection

See All
Cautions, Warnings and
Inspections

CAUTION: Always leave the tubing provided to allow lifting the unit for filter replacement and maintenance. Make sure tubing has gentle curves. Roll and secure as needed. Do not bend or kink tubing. We do not recommend shortening the tubing, however, If needed, at end, cut tube straight and do not flatten. Avoid any tubing contact to hot water lines

WARNING: NEVER ATTEMPT TO REMOVE TUBING BY JUST PULLING.
 Follow simple instructions illustrated above to remove properly.

INSPECT: Upon installation, inspect the connection and give the tubing a gentle "tug" to insure proper connection and integrity of the fitting.
 Inspect the fitting for any damage from shipping, handling, delivery, and/or installation. STOP, if collet is damaged in any way; call, fax or e-mail customer service for a replacement fitting.

Go to the System Start-Up and Operation Procedures





System Start-Up and Operation Procedures

A proper start-up insures the system is without issues. If anything is discovered, this is the time to discover it and correct any problems or questions that arise.

Lack of any, or a proper, start-up will void the warranty.

Step 1: For UV Option Only

Connect UV lamp cord and plug in transformer unit to typical 110v electric outlet. (UU250, UU350 only)

NOTE: Electrical outlet must be dedicated and unswitched. Be aware of any GFI outlets and the need to reset. Surge suppression highly recommended.

Step 2: Pull up and lock dispenser/faucet handle (if using another type of dispenser - put into open position). This will allow water to flow in the open position. Turn off water supply to other devices. Do not make this water available to any ice-makers, refrigerators or any other devices until the system is completely flushed and running clear.

Step 3: Slowly - Turn on or open any main water supply which was shut off earlier.

Step 4: Open or make sure there is inlet water supply to the system. Water will begin to flow from dispenser/faucet. Initially it may sputter until it reaches full flow. Allow system to run steadily for approximately 2 minutes or more, if needed. This will wash all carbon fines and air from the system. End this flushing of the system once water runs clear. System is now available to use as normal. Open water supply to other devices, if applicable.

Leave Spanner Wrench that came with unit and this Service Guide on top of unit bracket to assist consumer.

NOTE: If you draw your water into a glass and it appears to be cloudy, it's only air and nothing bad. Let the glass sit and watch the air rise and dissipate. The filter cartridges used are full bed depth. The carbon (GAC) cartridges have a great deal of surface area. With usage, it may take 24-48 hours for this to correct itself.

Step 5:

Inspect for leaks at all connections, fittings and/or housings. If a problem exists, please shut off water supply to the system and consider the following solutions;

- Plumbing connections at the inlet/supply connection, saddle tapping valve, or angle stop. Please review these plumbing procedures and correct.
- Plumbing connections to dispenser/faucet and any other fixtures or cross-connections. Please review and correct.
- Inspect for leaks at all unit connections such as connections between housings, UV housing and connections (if applicable), cartridge housings. Report any issues for assistance or needed part(s).
- Inspect for leaks at the labeled "FEED" and "FAUCET" connections between the supplied tubing and the quick connect fittings. To insure proper connection, give a light "tug" (not a hard pull) on tubing to check the grip on all fittings.

■ If any damage was identified in shipping or handling. You'll need to make a claim with the shipper, as indicated on our Packing Materials, our Packing Slip and the published General Terms and Standard Conditions of Sale.

■ If you have identified a problem, please contact our offices. The Best Way; go to www.ewswater.com, click button "Contact Us" and click link to "Customer Service and Help", fill out the form and help will be on the way. Let us know if we can offer advice on a plumbing issue that may not be related to the actual unit, or a question or issue that may be unit related. If in need of a part under warranty we can readily send it. Parts (original only) needed out of warranty can be obtained through your contractor, local distribution or at www.waterontheweb.com.

WARNING: Maximum pressure is 65 PSI. Pressure unregulated can surge or exceed the maximum rating on this and many items in the home. High pressure creates a water hammer or banging pipes. It's also the reason to use stainless hoses for washer machine connections and not the rubber. A pressure reducing valve (PRV) at your main water service line (if not code) is greatly recommended by many manufacturers' of many different household items, plumbing products and appliances and must be checked annually. A point of use (sink location) pressure limiting valve is also available.

Finished, Go To Required Product Registration





Register this Product - It is a Requirement for Warranty

- Familiarize yourself with the system, its' replacement filters and maintenance. To Register, take note of the Model # and WQA Serial # found on the unit's bracket,
- Understand your system's capabilities, put the enclosed Spanner Wrench and this Service Guide on top of the unit bracket,
- See your options in water treatment, for you , your family and your home by EWS, Inc.
- **Register Your System**
our confidential data base will remind you to replace your filters, use our enclosed form which you can fax or mail to our offices, or register on-line at www.ewswater.com, click the "PRODUCT REGISTRATION" Button, then the link for "Online Interactive Registration"

Replacement of Filter Cartridges

It is recommended that filters be changed at least annually or more frequently based on usage and local water conditions. The quantity and quality of the water processed effects the life of the filters.

Step 1:

Close inlet water supply to the system.

Step 2:

Open dispenser/faucet. Lock handle in the up position and/or allow water to flow (water flow should stop in a short time) and keep open to relieve pressure.

CAUTION:

WATER WILL BE PRESENT WHEN FILTERS ARE CHANGED.

A pan, towel, etc. should be placed under the housings to catch any water.

Step 3:

Using your spanner wrench, turn housing (which contains the filter cartridge) counterclockwise to loosen. Remove housing.

Step 4:

Remove filter and dispose.

NOTE:

See optional disinfection procedure of empty unit before replacing any filters or UV lamp (if applicable)

Step 5:

Insert new filter(s), replace and tighten housing by turning clockwise.

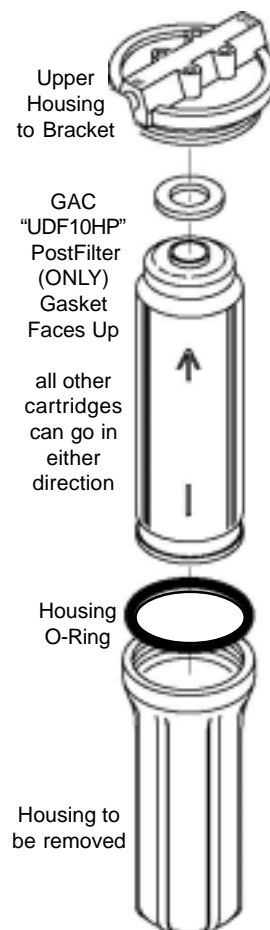
CAUTION:

The GAC Postfilter (UDF10HP for units FUGAC200, FUGAC300) has a gasket that must be at the top of the filter to be replaced correctly. All other filters do not have a top or bottom and can be inserted either way.

CAUTION:

Inspect O-Ring for housing base. Make sure it is clean, free of any debris and not damaged or kinked. Make sure it is correctly seated into the channel inside the housing before replacement.

Step 6: FOLLOW SYSTEM START-UP AND OPERATION PROCEDURES AND FOLLOW PROPER TUBING CONNECTION INFORMATION





Annual Replacement of UV Lamp (if applicable)

Step 1:

Unplug the transformer. Then disconnect the UV lamp cord.

NOTE:

- Two-Stage Units - UV module is set between the filter housings.
- Three-Stage Units - UV module is set on top of bracket (easier access)

Step 2:

Pull firmly on the UV lamp tail only to remove the lamp. Do Not remove cap at top of UV Module

Two-Stage Units only: Snap the UV module from the bracket clips to gain access for lamp removal. Do not disconnect any fittings.

Step 3:

Insert and firmly press new UV lamp into the top of the cap.
Reconnect UV lamp cord.

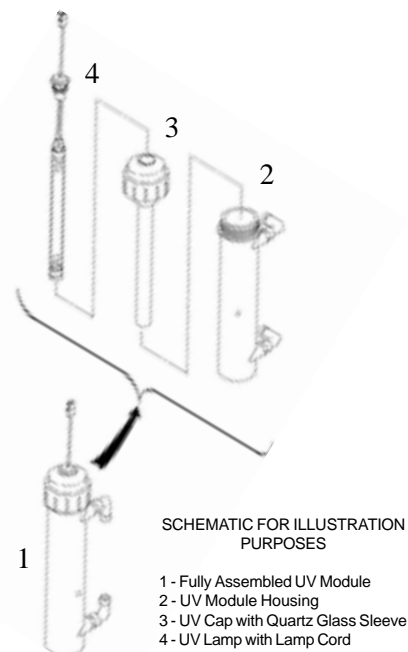
Two-Stage Units only: Thread UV lamp cord through bracket hole and then snap the UV module back into the bracket clips.

Step 4:

Reconnect UV lamp cord. Plug in unit transformer.

WARNING:

DO NOT DISCONNECT UV MODULE FROM THE FACTORY CONNECTIONS AND DO NOT OPEN UV CAP FROM UV MODULE FOR TYPICAL UV LAMP REPLACEMENT.



Optional Disinfection Procedure of Empty Unit

NOTE:

All containers, surfaces and items exposed to water can accumulate a clear or discolored film which may also be slippery or slimy to the touch. This is a bio-film that is non-pathenogenic and usually of no harm. This film is most commonly a nuisance and is readily wiped off. It is this reason we suggest a simple cleaning procedure prior to returning new filters to the filtration system.

This procedure may be performed at any time when changing filters or after extended periods of inactivity of the system.

Step 1: Follow Steps 1 through 4: Replacement of Filter Cartridges. Empty all housings of their filters.

Step 2: Using chlorine bleach, measure 1/2 cup and pour into first housing base (side of the unit labeled "FEED" into "Pre-filter" housing for all 2-Stage Units, "Sediment" housing for all 3-Stage Units).

Step 3: Replace all empty housings and tighten. Take note of the housing O-Ring.
Close dispenser/faucet to prevent water flow.

Step 4: Slowly Open water inlet valve and allow system to completely fill. Let water sit in system for at least 5 minutes (leaving it for a longer time will not hurt).

Step 5: Open dispenser/faucet and let the water run for at least 5 minutes.
WARNING: DO NOT USE THIS WATER.

Step 6: Now the system, tubing, faucet, and all connections should be disinfected. Follow steps for Replacement of Filter Cartridges and Replacing UV Lamp (if applicable) and prior to Step #5, wipe away any residual found in housings or around unit to totally clean this system prior to new filter and UV replacement.
Follow System Start-Up and Operation. Always follow proper tubing connection information.



Water Filtration Systems Included in this Care and Use Manual

For Proper Installation, Information and Maintenance - Identify your Filtration System

- check the unit
- check replacements for easy future reference

In-Line, Single-Stage, Limited Usage, Point of Use Filtration Units



Model No: FUSED100 - PRE-SEDIMENT ONLY

In-line 5-micron pre-sediment filter reduces suspended matter, dirt, rust, silt and sediment.

Easy to Reference Filter Replacement Code: 1

Model No: FUGAC100

Improves taste, clarity and odor by removing chlorine and other volatile organic compounds. Meets or complies with NSF Standard 42.

Easy to Reference Filter Replacement Code: 6

Model No: FUGAC150

Improves taste, clarity and odor by removing chlorine and other volatile organic compounds. The upgraded filter also safeguards against lead and cysts (giardia and cryptosporidium). Meets or complies with NSF Standard 53.

Easy to Reference Filter Replacement Code: 7

Undercounter Drinking Water Filtration and UV Units Standard Two Stage Undercounter Drinking Water Systems



Model No: FUGAC200 - Good

Improves taste, clarity and odor by removing chlorine and other volatile organic compounds. The 5-micron pre-sediment filter serves to remove suspended matter, dirt, rust and sediment and improves performance of other filters. Meets or complies with NSF Standard 42.

Easy to Reference Filter Replacement Codes - the Set Includes: 1, 6



Model No: FUGAC250 - Better

Improves taste, clarity and odor by removing chlorine and other volatile organic compounds. The upgraded filter also safeguards against lead and cysts (giardia and cryptosporidium). The 5-micron pre-sediment filter serves to remove suspended matter, dirt, rust and sediment and improves performance of other filters. Meets or complies with NSF Standard 53.

Easy to Reference Filter Replacement Codes - the Set Includes: 1, 7



Model No: UU250 - Best

This unit improves, removes and safeguards like above model FUGAC250. The additional UV module protects against bacterial, viral, E-coli and other microorganisms and is tested 99.9% effective. The 5-micron pre-sediment filter serves to remove suspended matter, dirt, rust and sediment and improves performance of other filters. Meets or complies with NSF Standards 53 and 55.

Easy to Reference Filter Replacement Codes - the Set Includes: 1, 7, 16



Undercounter Drinking Water Filtration and UV Units Three Stage Units for Heavier Sediment and/or Particulate Applications

☐ Model No: FUGAC300

Improves taste, clarity and odor by removing chlorine and other volatile organic compounds. The 5-micron pre-sediment filter serves to remove suspended matter, dirt, rust and sediment and improves performance of other filters. The 20-micron pre-filter is added for heavier sediment and/or particulate water applications. Meets or complies with NSF Standard 42.

Easy to Reference Filter Replacement Codes - the Set Includes: 1, 2, 6 ☐



☐ Model No: FUGAC350

Improves taste, clarity and odor by removing chlorine and other volatile organic compounds. The upgraded filter also safeguards against lead and cysts (giardia and cryptosporidium). The 5-micron pre-sediment filter serves to remove suspended matter, dirt, rust and sediment and improves performance of other filters. The 20-micron pre-filter is added for heavier sediment and/or particulate water applications. Meets or complies with NSF Standard 53.

Easy to Reference Filter Replacement Codes - the Set Includes: 1, 2, 7 ☐



☐ Model No: UU350

This unit improves, removes and safeguards like above model FUGAC350. The additional UV module protects against bacterial, viral, E-coli and other microorganisms and is tested 99.9% effective. The 5-micron pre-sediment filter serves to remove suspended matter, dirt, rust and sediment and improves performance of other filters. The 20-micron pre-filter is added for heavier sediment and/or particulate water applications. Meets or complies with NSF Standards 53 and 55.

Easy to Reference Filter Replacement Codes - the Set Includes: 1, 2, 7, 16 ☐



NOTE: All completely assembled units include the following standard features

Two and Three Stage Drinking Water Systems include: White 10" housing with filtration cartridges, spanner wrench to open housings for easy filter replacement, chrome, lead-free faucet with white trim for dispensing water, self-piercing saddle tapping valve for water line connection with shut-off valve (see service guide for your correct application), all necessary tubing (color coded) to make proper connections, simple to use mounting bracket, UV lamp and setup (UV unit only) and complete service guide with installation and use instructions.

In-Line Units are completely assembled units that include the following standard features: White 10" housing with filtration cartridges, mounting bracket, spanner wrench to open housings for easy filter replacement, saddle tapping valve, tubing and complete service guide with use instructions.

Register this Product - It is a Requirement for Warranty

Visit www.ewswater.com, Click  "PRODUCT REGISTRATION" Button and Click the "Online Interactive Registration" link

EWS, Inc. will keep this information confidential and will offer you reminders to replace your filters and offer you updates on water issues and concerns

Filter Replacements and How to Order For more information on the entire product line from sink to whole home, visit us on the web





Filter and UV Lamp Replacements

Easy Reference: Filter Code No: 1 **Replace: UP TO A YEAR***

Model No: 93023 Pre-Sediment Filter (5-micron)

5-Micron Prefilter (93023) is a pure polypropylene full-bed depth filter with exceptional dirt holding capability. The removal of any dirt, silt, rust or suspended matter protects the remaining cartridges and extends the performance of other filters. Meets FDA requirements for food and beverage contact.

In Use: All 2- and 3-Stage and In-Line Sediment Units :

FUGAC200, FUGAC250, FUGAC300, FUGAC350, UU250, UU350, FUSED100



Easy Reference: Filter Code No: 2 **Replace: UP TO A YEAR***

Model No: WB-20-W Pre-Sediment Filter (20-micron)

20-Micron Prefilter (WB-20-W) is a pleated filter with exceptional dirt holding capability. The removal of any dirt, silt, rust or suspended matter protects the remaining cartridges and extends the performance of other filters and is used in very particulate water conditions. Meets or complies with all FDA requirements for food and beverage contact.

In Use: FUGAC300, FUGAC350, UU350 (all 3-stage units only)



Easy Reference: Filter Code No: 6 **Replace: UP TO A YEAR***

Model No: UDF10HP Granular Activated Carbon (GAC) Postfilter

UDF10HP is designed for effective reduction of taste, clarity and odor problems such as Chlorine and VOC's. Cartridges are designed to allow water to pass through entire carbon bed to allow maximum adsorption. Meets or complies with NSF Standard 42.

In Use: FUGAC100(in-line), FUGAC200, FUGAC300



Easy Reference: Filter Code No: 7 **Replace: UP TO A YEAR***

Model No: PB1 Carbon Block 1-Micron Postfilter

PB-1 is an upgraded postfilter designed for effective reduction of taste, clarity and odor problems such as Chlorine and VOC's. In addition, the filter reduces Lead and Cysts such as Giardia and Cryptosporidium. Cartridges are designed to allow water to pass through entire carbon bed to allow maximum adsorption. Meets or complies with NSF Standard 53.

In Use: FUGAC150(in-line), FUGAC250, FUGAC350, UU250, UU350

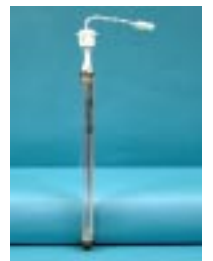


Easy Reference: Filter Code No: 16 **Replace: ANNUALLY***

Model No: UST-200 RL (lamp only) UV Lamp - UV Bacteria-Kill Units

UV Unit (UST-200) contains a 6 Watt UV lamp that effectively kills bacteria (>99%). A 316 Bonded Stainless Steel Interior enhances kill power by reflecting UV light and eliminates degradation of polypropylene housing. Due to advanced design, water is spun through the module to eliminate shadowing and shading which additionally maximizes kill power. UV Module meets or complies with NSF Standard 55.

In Use: UU250, UU350



***Replacement of all filters are based on local water conditions and usage.
UV lamp replacement annually (or, as needed within the year)**

For all removal capacities, test results and compliances.

Visit www.ewswater.com



Ordering Filters, UV Lamp Replacements, and Parts

There are several ways to obtain and order filter replacements for your unit.

Contact;

- ... your builder, plumbing contractor and/or your installer that provided the product...
- ... the kitchen & bath showroom, distributor, and/or retailer where you purchased the product...
- ... or use the internet in the following manner...

Go to our Corporate Site @ www.ewswater.com and note the “Showroom Locator” button towards the top right side of every page. Click on your State and scroll towards a distributor. You can call someone close to you (hopefully someone will be responsive), let them know what you have, and they can place your order. As a manufacturer, EWS, Inc. does not sell direct to consumers, only into distribution.

The most convenient way to purchase the correct filters for your unit may be to visit an authorized web distributor such as www.waterontheweb.com

Follow these easy instructions to obtain the correct filters for your system;

- 1..... Click on “Products” button,
- 2..... On right side of that page, find “Filter Replacements” and click here,
- 3..... Find “Filters by Sink Product” and click,
- 4..... Identify the unit you own and click on the model #, (for example UU250)
- 5..... Click on the “Place Order” button to order your complete set of filters for your particular unit. Now just follow the secure store instructions to complete the purchase and you’re done.

Waterontheweb is very similar to the EWS Corporate Site in order to provide the consumer with the most complete information and an e-commerce solution to the consumer’s needs. This site is designed to be simple and prevents any confusion as to what items are needed for any particular unit. This distributor will place their order with EWS, Inc. (similar to any other distributor) and will ship your order directly to the address you designated in the store.

To order needed parts from the same authorized internet distributor:

- 1..... Click on “Products” button,
- 2..... On right side of that page, find “Parts” and click here,
- 3..... Find your part(s) by scrolling the clearly described items,
- 4..... Click on the “Order” button to order a part (return to this page if you need more items) for your particular unit. Once complete, just follow the secure store instructions to complete the purchase and you’re done. Call or e-mail us if you need any help.

Thank you and we hope we have been of assistance in this matter.
EWS, Inc. and Environmental Water Systems – Customer Service



Trouble Shooting Guide - Drinking Water Filtration Systems

Problem	Possible Causes	Solution
Any or All Leaks	Excessive pressure or pressure surges	Pressure reducing valve (PRV) at main water supply to maintain pressure at or below 65 PSI or the addition of a Pressure Limiting Valve (item# FMP-60) on the inlet tube prior to the point of use unit
Leaks at Tubing Connections Leak at inlet fitting (labeled "Feed" &/or "Pre-Filter" for all 2-Stage Units or "Sediment" for all 3-Stage Units) or Leak at outlet fitting (labeled "Faucet" &/or "Postfilter" or "Output") Leak at 90 degree elbow connection(s) for all 3-Stage Units (FUGAC300, FUGAC350, UU350) Leak at plastic compression fitting at UV Module (UU250, UU350) Leak at connection between housings on 2-Stage Units (FUGAC200, FUGAC250)	Various causes to inspect •Is the tubing cut with a straight end to grab squarely? •Is the tubing inserted completely into fitting? •Broken collect or fitting •Is there a problem with the collet and the quick-connect fitting? •Tubing incorrectly removed •Damaged in shipping, handling, and/or delivery Damaged in shipping, handling, and/or delivery Damaged in shipping, handling, and/or delivery Damaged in shipping, handling, and/or delivery	•Follow instructions for Connection of Tubing. Access the filter unit, remove tubing by depressing the collet and pulling tubing out. Using a utility razor knife, <u>squarely</u> cut 1/2" off tubing from the end. Make sure end of tubing is not flattened Reinsert the tubing into the fitting as far as possible. Check for leaks. •Tug on tubing (do not pull hard) to check fitting and the integrity of the connection •Upon inspection, prior to install or a result of proper start-up and inspection and fitting is damaged, then Replace simple part (item# fc-std-all) Replace simple part (item# fc-jg-90) Replace simple part (item# fc-uv-jaco) Replace simple part (item# fc-fu-conn) with proper procedure (no plumbing needed)
No water Not enough water Water flow is restricted Low flow from unit	Water supply is off Saddle tapping valve piercing not complete, if applicable Low water pressure Kinked or bent tubing Saddle tapping valve, if applicable may be restricting flow or misapplied on type of pipe being used (only applicable on hard pipe of copper, brass or steel) Clogged prefilter cartridge	•Turn main water supply on •Saddle tapping valve not open, if applicable •Turn water on at inlet connection, other if applicable •Follow instructions to re-do piercing or use a preferred method to make this connection •Open dispenser/faucet Unit may not operate properly at less than 25 PSI feed line pressure (max: 65 PSI) Make longer loop with tubing to remove kink or bend Back the end of the piercing lance out, turning the handle counter-clockwise. Then re-insert by turning the handle of the saddle tapping valve clockwise until it is again firmly seated. This will clear any possible debris that can block piercing lance and water flow. If there is flow rate through unit without filters then there is a need to replace sediment and/or other filters based on water conditions and usage



Trouble Shooting Guide - Drinking Water Filtration Systems

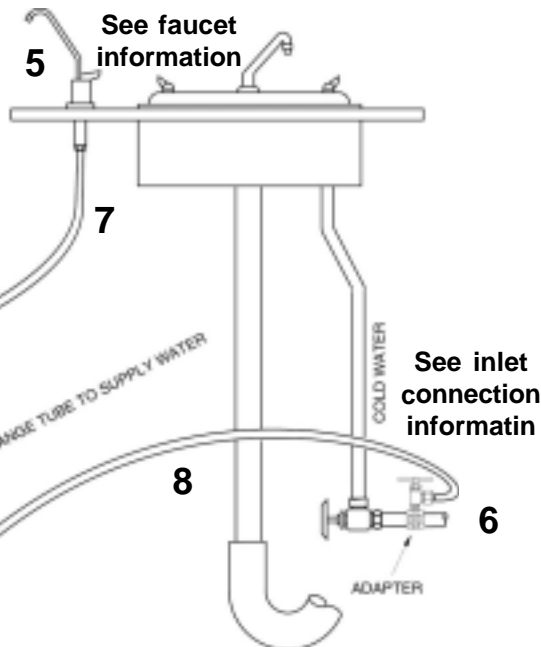
Problem	Possible Causes	Solution
<p>Leak at the supplied dispenser/faucet spout</p> <p>Leak at the supplied dispenser/faucet base by handle (brass "T")</p> <p>Leak at the connection to supplied dispenser/faucet</p> <p>Leak at another Mfg's faucet and/or connection to another device</p>	<p>Spout needs to be re-inserted</p> <p>O-ring issue at inserted brass piece or "T" that holds and operates handle</p> <p>Dispenser connections need to be properly made</p> <p>All connections need to be properly made</p>	<ul style="list-style-type: none"> •Spout pulls out from faucet body that's why it swivels. Spout has 2 o-rings at base and is inserted completely into bottom of body to prevent leaking. •Replace the supplied faucet dispenser (item# depends on any finish option) •Check connections at various locations and re-connect, re-insert, tighten and/or correct. •Consult with Mfg of other product and/or installer to check connections at various locations and reconnect, re-insert, tighten and/or correct.
<p>Leak at Inlet Water Supply Connection</p>	<p>Various causes to inspect. Saddle tapping valve may not be applicable or installed correctly</p>	<ul style="list-style-type: none"> •Check connections and/or correct. •Follow the inlet supply water instructions in this manual and/or install the preferred inlet connection
<p>Leak at cartridge housing</p>	<p>Misaligned, damaged or missing o-ring</p> <p>Cracked housing due to pressure issues, misaligned filter replacement and/or overtightening</p>	<ul style="list-style-type: none"> •Locate and align O-ring into groove inside housing •Replace simple part (item # h-f-o-ring) •Replace part (item # h-filter) and correct issue that caused the problem (no plumbing needed)
<p>Leak at UV housing</p> <p>UV not working</p>	<p>At Cap: Misaligned, damaged or missing o-ring Cracked housing due to pressure issues, misuse, and/or overtightening</p> <p>Lamp damaged, lamp cord has not been connected, transformer is not plugged in, connected to wrong type of outlet or lamp has burned out</p>	<ul style="list-style-type: none"> •Locate and align O-ring into groove inside cap •Replace part (item # h-uv) and correct issue that caused the problem (no plumbing needed) •Connect lamp cord and/or Plug in transformer. •Make sure unit plugged into an unswitched electrical outlet. Check GFI reset. Surge suppression is highly recommended •Replace UV Lamp
<p>Unpleasant taste and/or odor Metallic flavor Discoloration Rotten egg smell from water</p> <p>Cloudy water</p>	<ul style="list-style-type: none"> •Need to replace filters •System needs disinfecting •System was idle, stored or misused for a long period of time. •System under unfavorable conditions or changing water conditions •Hydrogen sulfide, iron, manganese is in the household water supply •System misapplied •New installation, changing filters, disinfecting the system •Open/close and open of water supply to home or in home 	<ul style="list-style-type: none"> •Replace filters and follow start up procedures •Follow disinfection procedure •Flush system by running water, replace filters and/or disinfect •Determine what changed in your water supply and Flush, Replace and/or Disinfect, or change type of water treatment system based on local water conditions. Call your municipality or have your well tested. •Hydrogen sulfide, iron and manganese must be removed from household water supply before filter system. Visit our web site for other systems. •Specify the correct system for the application <p>It is simply - air. Check by filling glass and watch air dissipate. Run and flush system for several minutes. Sometimes it takes 24 - 48 hours to totally clear due to the full bed depth of our filters</p>



Two-Stage Model #s: FUGAC200, FUGAC250

Ref #	Part	Description
1	h-filter	Housing base
1a		Upper housing
2	93023	5 Micron Pre-Sediment Filter Cartridge
3	fc-std-all	JG 1/4"x1/4"m-white quick connect
4	bracket-2	aluminum bracket, powder coat
5	fd-ch-wh	Std chrome w/wh, long reach
6	stv-2	saddle tapping valve
7	t-blue	1/4" pe tubing 60" bl-p
8	t-orange	1/4" pe tubing 60" or-p
9	UDF10HP	GAC Filter Cartridge (FUGAC200)
9a	PB-1	Upgraded GAC Cartridge (FUGAC250)
10	h-f-o-ring	Housing base o-ring
11	fc-fu-conn	Dual male connect between housings

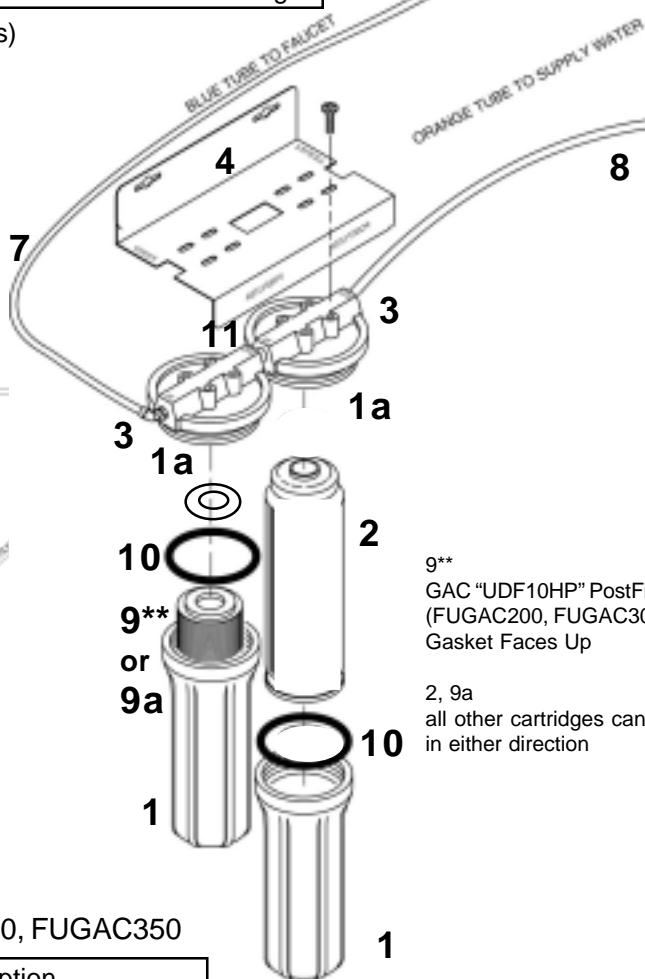
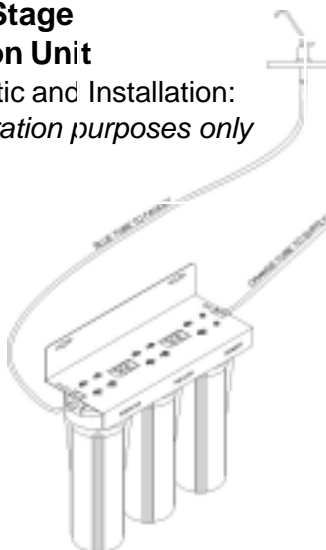
Two-Stage Filtration Unit
Schematic, Parts, Installation:
for illustration purposes only



Not pictured: spanner wrench (all units)

Three-Stage Filtration Unit

Schematic and Installation:
for illustration purposes only



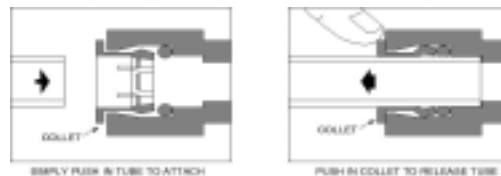
9**
GAC "UDF10HP" PostFilter
(FUGAC200, FUGAC300 ONLY)
Gasket Faces Up

2, 9a
all other cartridges can go
in either direction

Three-Stage Model #s: FUGAC300, FUGAC350

Ref#	Part	Description
1-8,10	items from above	remain the same
9 or 9a	GAC filters	Depending on unit
Add (not pictured)		
1,10	see above	add'l housing for 3rd stage
2a	WB-20-W	20 micron pleated filter
4 to 4a	bracket-3	alum bracket 3-stage

Not pictured: spanner wrench (all units)



**illustrated quick connect fitting
and proper tubing connection**



Two-Stage with UV Model #: UU250

Ref#	Part	Description
1,1a	h-filter	Housing base and Upper Housing
2	**93023	5 Micron Pre-Sediment Filter Cartridge
3	fc-std-all	JG 1/4"x1/4"m-white quick connect
4c	bracket-uv2	aluminum uv-2 bracket, powder coat
5	fd-ch-wh	Std chrome w/wh, long reach
6	stv-2	saddle tapping valve (Not Shown)
7	t-blue	1/4" pe tubing 60" bl-p
8	t-orange	1/4" pe tubing 60" or-p
9a	**PB-1	Upgraded GAC Block Filter Cartridge
10	**h-f-o-ring	Housing base o-ring
12	fc-jg-90	JG 1/4 x 1/4 elbow
13	fc-uv-jaco	Jaco compression @ uv module
14	h-u-clip	Bracket clip uv housing
15	UST-200-RL	UV Replacement Lamp with Cord
16a	h-uv	UV assembly cap with quartz glass sleeve
16b		UV housing with housing o-ring
17	**pou-uv-e68	UV Transformer

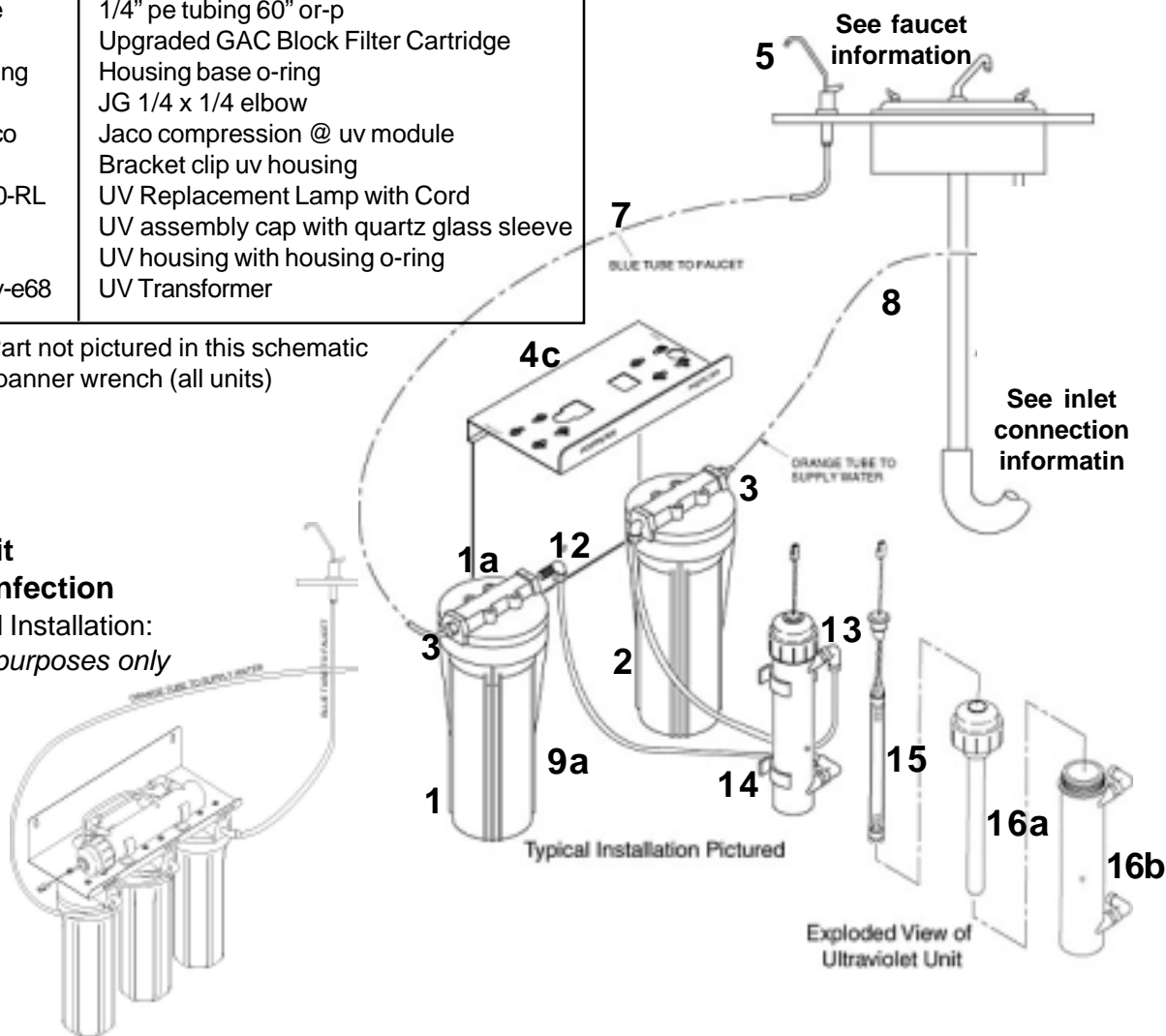
Two-Stage Filtration Unit with UV Disinfection

Schematic, Parts, Installation:
for illustration purposes only

**Not pictured: Part not pictured in this schematic
Not pictured: spanner wrench (all units)

Three-Stage Filtration Unit with UV Disinfection

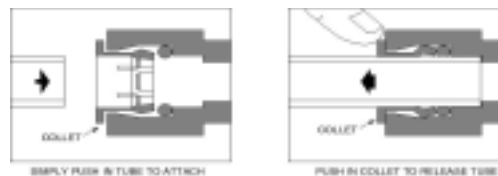
Schematic and Installation:
for illustration purposes only



Three-Stage with UV Model #: UU350

Ref#	Part	Description
1-17	all items above remain the same	
Add (not pictured)		
1,10	see above	add'l housing for 3rd stage
2a	WB-20-W	20 micron pleated filter
4c to 4d	bracket-uv3	alum uv-3-stage bracket

Not pictured: spanner wrench (all units)



illustrated quick connect fitting
and proper tubing connection

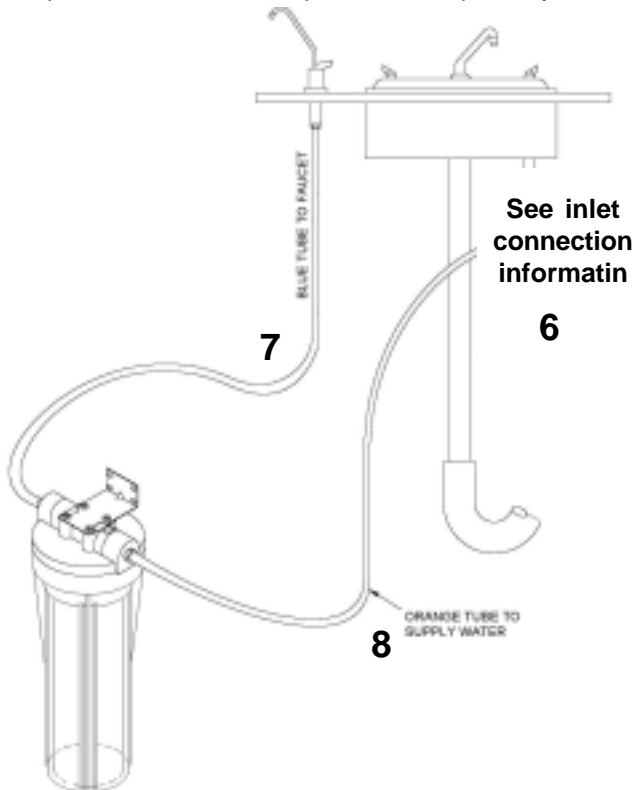


In-Line, Limited Usage, Single-Stage Units
 Model #s: FUSED100, FUGAC100, FUGAC150

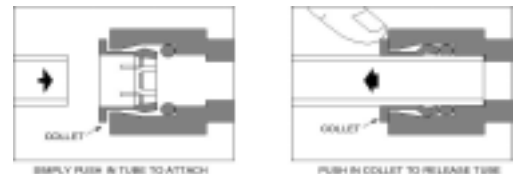
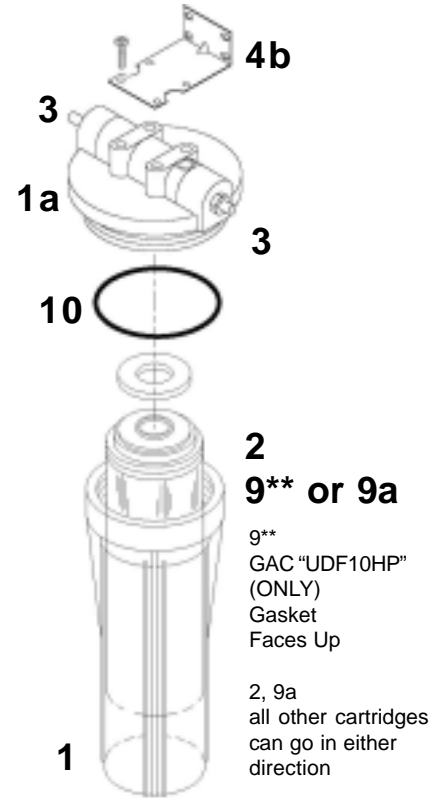
Ref #	Part	Description
1	h-filter	Housing base
1a		Upper housing
2	93023	5 Micron Pre-Sediment Filter Cartridge (FUSED100 only)
3	fc-std-all	JG 1/4"x1/4"m-white quick connect
4b	bracket-inline	In-line single bracket
6	stv-2	saddle tapping valve
7	t-blue	1/4" pe tubing 60" bl-p
8	t-orange	1/4" pe tubing 60" or-p
9	UDF10HP	GAC Filter Cartridge (FUGAC100 only)
9a	PB-1	Upgraded GAC Cartridge (FUGAC150 only)
10	h-f-o-ring	Housing base o-ring

Not pictured: spanner wrench (all units)

Note:
 In-Line Units do not come with Dispenser/Faucets.
shown for illustration purposes only
 Dispenser/Faucet can be purchased separately



In-Line, Single-Stage Unit
 Schematic, Parts, Installation:
for illustration purposes only



illustrated quick connect fitting and proper tubing connection



NOTES

What unit(s) do I have? What filters do I need to order?
Reminder to Register your Purchase
register on-line at www.ewswater.com, click the "PRODUCT REGISTRATION" Button,
then the link for "Online Interactive Registration"

Helpful Hint:

Find the enclosed Spanner Wrench that came with the unit and place it on top of the bracket.

When finished, roll up this Service Guide and place on top with wrench.

This Service Guide and the wrench will come in very handy when it's time for filter replacement.



Limited Warranty

Notification:

This warranty is referenced by EWS, Inc. in all literature, addressed in General Terms and Standard Conditions of Sale, and is published in its entirety in all EWS, Inc. product manuals, websites, and in all service guides supplied with all product.

Limited Warranty:

EWS, Inc., a Nevada corporation, hereby warrants all products to the original consumer purchaser to be free from defects in material and workmanship as stated in the following paragraphs:

- All residential point of use: countertop filtration, in-line filtration, undercounter drinking water filtration, shower filtration, residential reverse osmosis, and point of entry pre-sediment units or systems for one year from date of purchase.
- All residential point of entry: pH decreasing and softener (resin and ion-exchange) systems, Environmental (EWS) Water Systems, pyrolox units, CWL whole-home (filtration media) systems, pH increasing reagent (sacrificial media) units for 10 years on the tank and riser, 10 years on the ICN conditioner(s) (if applicable) and 3 years on the valve head from date of purchase.
- All commercial systems: Dependent on specification and application, please consult with EWS, Inc. upon specification.
- All filtration medias, resins, cartridges, uv lamps, and/or membranes are not covered by any warranty. Filter media, resin, cartridge, uv lamp, and/or membrane replacement or maintenance schedule will vary and must be replaced, as necessary, as determined by usage and local water conditions.

Product performance may vary based on local water conditions, proper product specification and application, proper plumbing application, setup, installation, startup, maintenance and/or usage. To ensure proper operation, follow all setup, installation, start-up and maintenance procedures as detailed in all service guides.

Not intended for use where water is microbiologically unsafe or with water of unknown quality without adequate disinfection before or after unit(s). The contaminants or other substances removed or reduced by these and any other water filtration or treatment devices are not necessarily in your water. To confirm the presence of any primary and secondary contaminants, have your water supply completely analyzed by an independent and approved facility or if applicable, contact your local water utility for information. Aesthetic, non-health related, or constituents without set federal standards may be part of water testing but are insufficient to determine proper application of any water filtration or treatment device.

EWS, Inc. will replace, free of charge, during the warranty period, any part which proves defective in material and/or workmanship under proper product and plumbing specification and application, normal and proper installation, use, service and proper care as published in detail in all service guides included with product. Labor charges are excluded from any warranty service or repair and are not the responsibility of EWS, Inc. Shipping charges may apply to delivered replacement parts or materials. Charges may also apply for the cost of any replacement media, resin, cartridges, uv lamp and/or membrane from any warranty service or repair. Information can be obtained at any time through a local dealer, distributor, representative or direct from EWS, Inc. and/or on-line at; www.ewswater.com or www.ewswater.com/techandspec.html. Replacement parts can be obtained from your local dealer, distributor or contractor.

This warranty is the exclusive warranty granted by EWS, Inc. and is in lieu of all other warranties of merchantability and fitness for a particular purpose and is further limited to defective parts replacement only. Labor charges and/or damage incurred in setup, installation, and startup, or repair, or replacement, as well as, incidental and consequential damages connected there with, are excluded, and are not the responsibility of, and will not be paid by EWS, Inc.

This warranty is void for any damages due to improper product and/or plumbing specification and/or application, misuse, abuse, neglect, accident, acts of nature, action of any military or civil authorities, improper handling and transportation, or improper setup, installation, and/or startup, or any violation of instructions furnished by EWS, Inc., or any replacement parts other than genuine parts or replacements supplied by EWS, Inc.

This warranty is not a warranty of merchantability, fitness, taste, aesthetics, and/or performance that may be subject to improper product and/or plumbing specification and/or application, misuse, abuse, neglect, accident, acts of nature, action of any military or civil authorities, improper handling and transportation, or improper setup, installation, and/or startup, or any violation of instructions furnished by EWS, Inc.

This warranty is not a warranty of merchantability, fitness, taste, aesthetics, and/or performance that may be personal and of subjective opinion and that does not relate to the performance of any system.



Limited Warranty - Original Purchaser's Responsibility

Keep a record of the purchase receipt and/or installation receipt. Purchaser is required fill out warranty registration form(s) on applicable product(s) and register all product by either on-line @ www.ewswater.com, telephone, postal delivery, fax, e-mail (either register@ewswater.com or information provided to customerservice@ewswater.com). **Failure to do so voids the warranty.** EWS, Inc. does not sell, show or make available any information on any consumer in our database. This database is to ensure, if needed, proper warranty service, and good customer service for years to come. Please see our privacy policy published in our website at www.ewswater.com.

Know Your Water:

- If on a municipal system, large or small, it is your right as a consumer to have access to the most recent test results and to expect adherence to federal guidelines, as well as any state or local requirements. Any problems should be reported to the appropriate agencies. Please acquire those municipal test results to become an informed consumer.
- If on an individual well, have your water completely and independently tested. Local code may require a simple test for coliform bacteria to approve a well, however you may be unaware of potential problems for you and/or your home. A local water salesman is looking to close a sale and is going to test for hardness minerals and a few simple and obvious issues, which may or may not be contamination problems. Their solution is almost always the same and yet may provide no resolution to any true problems. Obtain our "Guide for the Private Well Owner" on our website; www.ewswater.com (under Service Guides). Review our section on well water testing and applications in our complete catalog with your local distributor, dealer, or our representative or visit our website.

• WARNING:

Some restrictions apply to the use of softeners. Contact your local municipal water district or Gov't Agency. Brine discharge is already restricted on, or may be a problem for, septic applications and waste water treatment facilities. Since some states have already restricted softeners to metered valves to prevent excessive brine discharge, EWS, Inc. only provides metered valving in its line of softeners.

Restrictions may also apply to hot-side only, salt-exchange tanks or services, or an outright ban. Local water dealers and other organizations do not inform consumers of these issues and believe these rules are unenforcable. The consumer is ultimately responsible.

Softeners may also provide warranty issues with pools and spas, certain other products and finishes. Softened water should not be used for drinking, cooking, pets or plants and is usually bypassed or "looped away" from the cold side of the kitchen sink. Reverse osmosis, which also has its drawbacks and issues with other products and materials, may be used to remove the salt from the water that the softener put in at the kitchen sink, yet may be misapplied for the actual local water conditions.

Any problems of water quality, or the fitness of any EWS, Inc. product that is associated with any mechanical, construction, application, installation, and/or environmental issue(s) (ie: flow rates, line pressure, piping materials, broken supply lines, changing water conditions; well or municipal water quality, et. al.), known or unknown, of the home or facility will not be considered by EWS, Inc. until such issue(s) have been resolved.

Responsibility for the proper product and/or plumbing specification, application and/or installation of any device manufactured by EWS, Inc. lies with the consumer, their builder contractor, plumbing sub-contractor and any other installer of choice. Items do not specify and/or install themselves. EWS, Inc. has provided many sources to acquire information on the proper application of systems and their installation prior to any purchase. EWS, Inc. manufactures a complete product line of point of use water filtration systems and point of entry filtration, softening and/or conditioning systems and/or appliances. EWS, Inc. and the distributors of EWS, Inc. will stand behind the warranties of materials and workmanship. However, EWS, Inc. and the distributors of EWS, Inc. and the Environmental Water Systems Product Line do not bear any responsibility for improper applications of product and/or improper installation. It is for this reason that EWS, Inc. provides complete information on all product for your understanding, specification, application and selection, and proper plumbing application and installation.

To obtain warranty service support, contact your local dealer or contractor from whom you obtained the product or contact EWS, Inc., Customer Service, via phone, fax, or email.



PRICING POLICY

EWS, Inc. has a current, published, and widely distributed, Pricing Guide that contains suggested list prices for certain water filtration and conditioning products ("Products") sold by EWS, Inc. ("Seller"). Seller assumes no obligation to sell to anyone any of the Products listed herein, known or unknown, at any price.

This current Pricing Guide has been prepared for the convenience of Seller's distributors and their customers. The list prices shown are guides only and do not purport to represent actual prices in any particular market and are not intended to interfere with the right and responsibility of Seller's distributors to establish their own resale prices.

All current prices herein set forth supersede all prior lists and are subject to change without notice. Seller may also, from time to time, change, modify, alter, improve and/or discontinue without notice the sale of any of the Products listed herein.

All seller's orders are accepted and delivered based upon the Terms and Conditions found on this Pricing Policy page, found in this Pricing Guide, available in all Seller's Product Manuals and reprinted on the reverse side of all invoices submitted and monthly statements sent. Please read them carefully. They provide information that is important to Seller's distributors and their customers.

GENERAL TERMS AND STANDARD CONDITIONS OF SALE

Invoices are expressly limited to and made conditional upon the terms and conditions contained herein. Objection by Buyer to any of the terms contained herein shall be deemed to have been waived (if not previously waived) if written notice of the objection is not received by EWS, Inc. ("EI") within ten calendar days of the date of the first invoice or before part of the described goods are accepted by Buyer, whichever occurs first. Any additional or different terms proposed by Buyer are rejected unless assented to in writing by EI.

1. **PRICES:** All prices are in U.S. dollars. Prices are subject to change without notice. Orders will be invoiced at prices prevailing at time of shipment. All prices are F.O.B. our warehouse, Southern California and exclusive of any shipping, delivery, packaging or handling charges that may apply.
2. **TERMS OF PAYMENT:** The terms of payment on approved accounts only shall be net thirty days in U.S. dollars from the date of invoice to date of receipt of payment in our offices for all invoiced products whether partial or complete delivery of the product under order. All past due accounts are subject to a charge of 11/2% per month (18% per annum) for each month or fraction of a month on the unpaid balance.
3. **TAXES:** Prices do not include sales, use, excise or similar taxes. The amount of any present or future sales, use, excise or other tax applicable to the sale or use of EI's products or equipment shall be paid by the Buyer unless the Buyer shall have provided EI with a tax exemption certificate acceptable to taxing authorities.
4. **ACCEPTANCE:** All purchase orders are subject to acceptance by EI at its corporate offices in Las Vegas, Nevada and are subject to these Standard Conditions of Sale, unless otherwise expressly provided.
5. **SHIPMENTS:** Delivery to carrier shall constitute delivery to customer. EI's responsibility terminates upon delivery in good order to carrier. All goods are shipped at the customer's risk. Any claim for loss or damage in transit should be made promptly by customer against carrier. These and other shipment terms are written clearly on the reverse side of all packing slips that accompany all accepted shipments. All costs of freight, transportation, handling, in-route storage, certification and other documentation are to be paid by Buyer. Any other terms will be issued to Buyer, in writing, with approved credit and an established EI/Buyer relationship.
6. **DELAYS; FORCE MAJEURE:** EI shall not be liable for delays in delivery of the goods or failure to deliver the goods caused, in whole or in part, by inability to obtain transportation, equipment, or material, insurrection, fires, floods, storms, embargoes, action of any military or civil authorities, whether legal or de facto, strikes, labor difficulties, lockouts, acts of God, or other similar or different circumstances beyond the control of EI.
7. **CANCELLATION:** The Buyer may not cancel all or part of an order without verifiable notification to, and acceptance by EI.
8. **RETURN OF MATERIALS:** No Product may be returned to EI without written approval by a Company Officer. A restocking charge of 25% will be assessed (45% if unit had been used) NO EXCEPTIONS. Product must be returned freight pre-paid, boxed and in resale condition. EI will never take responsibility, under warranty or return, for improperly installed and/or misrepresented units.
9. **SELLER'S SECURITY INTEREST:** EI shall retain a security interest in the goods sold hereunder until Buyer has paid in full for such goods provided by EI in connection therewith and has performed all of Buyer's obligations under this contract.
10. **COLLECTION:** Buyer shall reimburse EI for all costs of collection, including reasonable attorney's fees, incurred by EI to collect any monies owing under this contract. A \$45.00 service charge will be invoiced on all returned checks.
11. **WAIVER AND MODIFICATION:** No waiver or modification of any of these Standard Conditions of Sale shall be effective unless such waiver or modification is in writing and signed by an officer of the Company in Las Vegas, Nevada. In event any part of these conditions be waived, or be held to be invalid by any competent court, the remainder shall continue in force and shall be interpreted as if such waived or invalid part were not contained herein.

Published and Printed in the U.S.A.

EWS Inc./Environmental Water Systems

9101 W. Sahara Ave., Suite # 105-J8, Las Vegas, Nevada 89117

ph 702-256-8182, fx 702-256-3744 customerservice@ewswater.com

(formerly, Esbinco, Inc.) 9/94, rev: 9/02

www.ewswater.com



A Quick Reference of Systems and Combinations for Various Applications

EWS - The Leader in Whole Home Water Filtration

EWS Series - The Environmental Water System

Whole Home Water Filtration and Physical Conditioning



Filters all the water to the whole home and offers the consumer an alternative to harsh salt softening. EWS conditioning causes a physical change in how naturally found calcium and magnesium minerals react in the water and on surfaces. EWS keeps these minerals in the water for a pure, fresh taste while helping solve those problems associated with hard water. The result: less spotting, easier clean up, and prevents scale build-up in pipes and water heaters without the damaging effects of salts. No slippery feeling. No brine discharge. The best combination of whole home filtration and the alternative to salts and softening. Required or chosen upgrade options: Sink units for specific removal needs or concerns.

CWL Series - Whole Home Water Filtration Appliance

Great for filtration to the whole home of chlorinated water supplies, for drinking, cooking, showering, and bathing (great for hair and skin) - all uses. Also used for non-chlorinated applications to safeguard water from VOC's due to ground water contamination. Use EWS Series to filter and physically condition water, if water hardness is an issue. Required or chosen upgrade options: Point of use, drinking water system, or reverse osmosis for limited sink applications based on water conditions or additional water concerns for drinking use.



EWS - The Complete Choice for Sink Filtration

Drinking Water Filtration Systems



Sink filtration product for oral intake, drinking, cooking, ice-making, etc., to protect consumer against known or unknown water issues or concerns. **FUGAC250** ("better") for carbon block filtration of chlorine and VOC's, lead, and cysts. **UU250** ("best") for the additional safeguard from bacterial, viral, e-coli and microorganisms. No storage tanks, no limited supply, and no wasted water associated with reverse osmosis systems.

Reverse Osmosis Systems

Sink filtration product for oral intake, drinking, cooking, ice-making, etc., to protect consumer against known or unknown water issues or concerns. **RU300** series for chlorinated municipal water. **RU400** series for potable non-chlorinated, well or municipal supplies. **RU500** series optional for harsh well water. Add UV module for the additional safeguard from bacterial, viral, e-coli and microorganisms. Be aware that RO has specific issues and drawbacks (ie: wasted water, limited production, storage tank space, very aggressive water), and has specific applications, making these systems widely misapplied. Select the product that's right for you.



EWS - The Resource for Well Water Solutions

High Oxidation, Purity Media Systems



For the removal of iron, manganese and hydrogen sulfide. Installed at the point of entry, this is a removal of these problems, not the trade-offs of ion-exchange. Automatic backwash with no brine discharge, no chemicals to add, and years between any maintenance (media replacement) make these systems a must with wells having these pre-treatment issues.

Plus: pH Increasing Reagent or pH Decreasing Resin Systems, Pre-Sediment Filtration

Softeners

If water hardness is an issue, water softeners will soften the water through ion-exchange. This process substitutes naturally found calcium and magnesium (hardness) minerals for sodium or potassium chloride (salts) and does not filter the water. Water will spot less, wipe off easier, and prevent lime scale in pipes and water heaters. However, restrictions on softeners due to brine discharge into your septic tank, salts, and wasted water are growing. Softeners may also void warranties on other household products (ie: pools, spas, special finishes, etc.) Once softened, many people do not like the slippery feeling of the water and reverse osmosis becomes necessary to remove the salt from drinking water that the softener put in. If a softener is chosen, application on the hot side only is recommended. Ironically, we make some of the most efficient metered softeners in the industry. Consider on hardness above 20 grains and use on excessive hardness above 30 grains. Use EWS Series as an alternative to filter and physically condition water below 30 grains.



Let us @ EWS, Inc. help you specify the correct product(s) for your application.

Know and understand your "city" water or have well water tested completely to specify the correct point of entry system(s). Choose a filtration upgrade, at the sink, for consumption based on tested results, and/or additional needs or concerns. A complete solution may use one or more products to satisfy an application.



The complete EWS, Inc./Environmental Water System product line from sink to whole-home, available through:



Available on the Internet through Authorized Retail Web Distributors and Business-to-Business E-Commerce Distributors.

Available through Authorized Building Wholesale Supply Locations, Kitchen & Bath Showrooms and Appliance Dealers, and their Building and Plumbing Contractors throughout the United States.



EWS, INC.

Environmental Water Systems

A Complete Line of Water Filtration Product from Sink to Whole-Home

9101 W. Sahara Avenue #105-J8
Las Vegas, Nevada 89117

Telephone: 702-256-8182 Fax: 702-256-3744

E-Mail: customerservice@ewswater.com

Visit us on the web at: www.ewswater.com

This service guide and all materials herein is the property and copyright of EWS, Inc. 05/03: 051803

Providing information to help consumers.
All Product Proudly Manufactured and Assembled in the USA