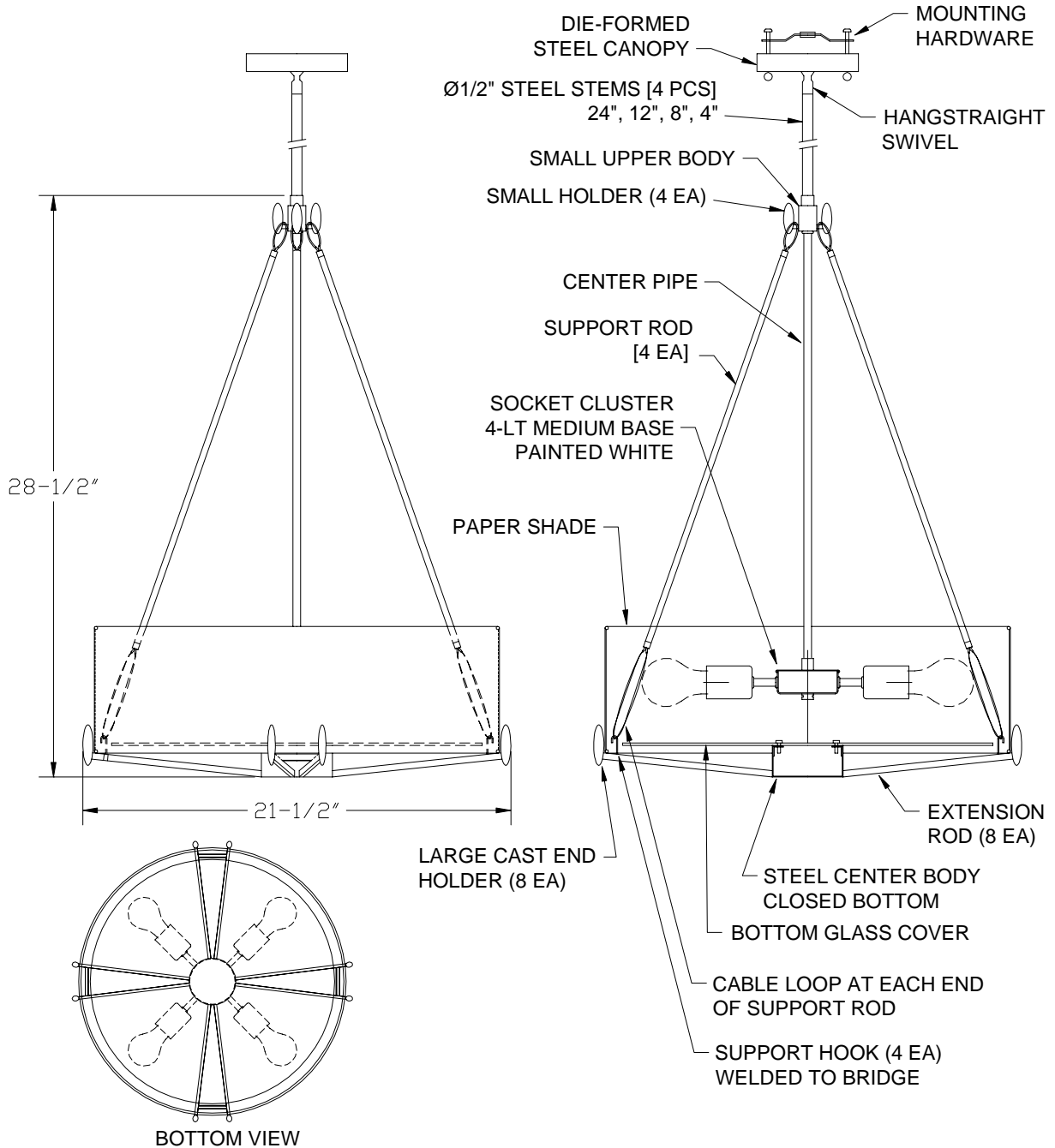


Specification Sheet

Pendant

Model: **F510-49 Bronze Luster**



Shade: Hardback Beige Artisan Paper
 Bottom Glass: Etched
 Metal Finish: Bronze Luster
 Width: 21-1/2" Height: 28-1/2" Overall Length: 78-1/2"
 Lamp: 4 – 100W Medium Base (Not Included)
 Label: cULus Listed. Suitable for Dry Locations.