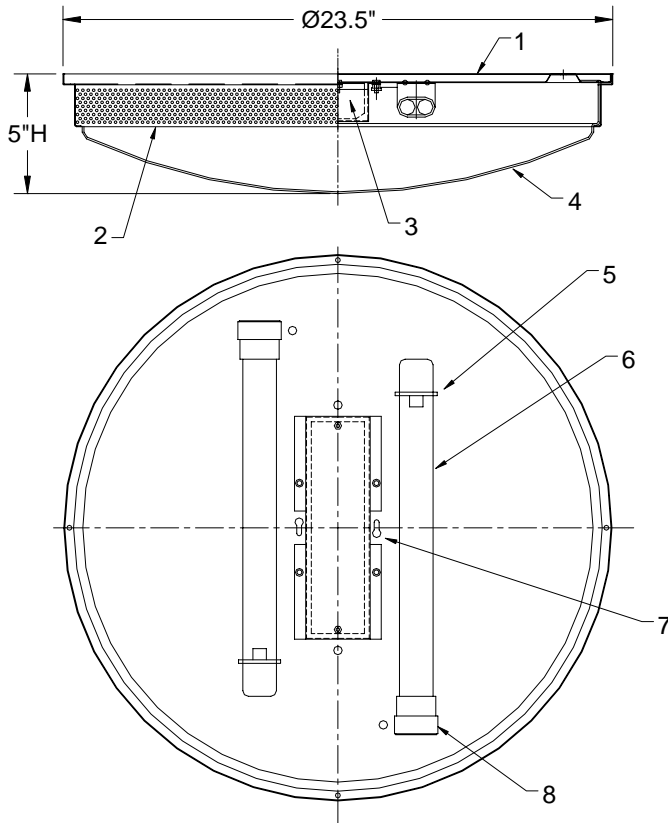


Specification Sheet

Surface Fluorescent

Model: **F2081-36E1FHM Satin Nickel**



1. Backplate: 20ga (.036") die-formed steel, white finish.
2. Diffuser Holder: Roll-formed steel with perforated hole pattern, see Finishes below.
3. Ballast: Electronic 120V, 60Hz
4. Diffuser: Formed white translucent acrylic.
5. Lamp Support Clip.
6. Lamps: Compact Fluorescent, see below, by others.
7. Keyhole Mounting Slots for mounting to outlet box.
8. Lampholder: 2G11 base.

Diffuser: White Acrylic

Finish: Satin Nickel

Width: 23-1/2" Height: 5"

Lamps: 2 – 36W or 39W Twin Tube Compact Fluorescent, 4-Pin G211 Base (Not Included)

Ballast: Electronic 120V

Labels: cULus Listed. Suitable for Damp Locations.

Suitable for Wall or Ceiling Installations.