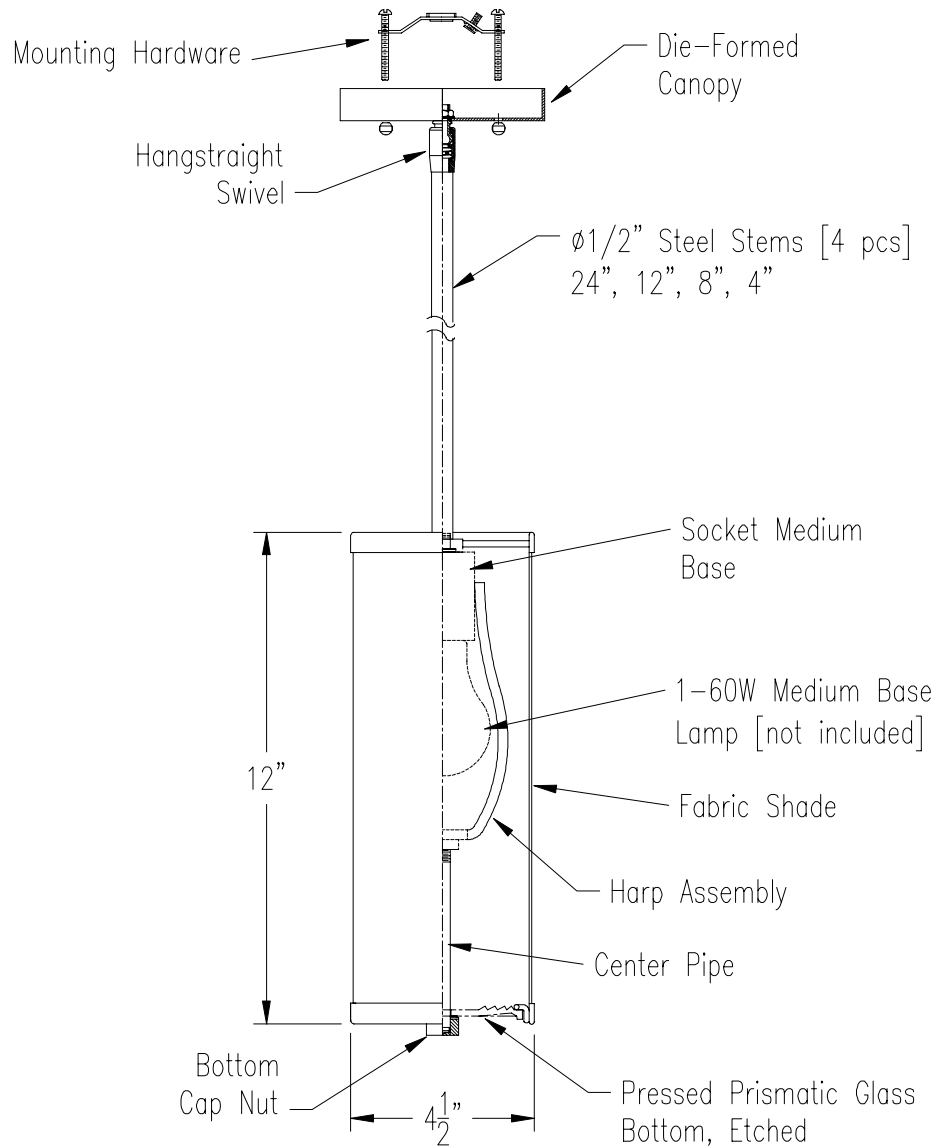


Specification Sheet

Pendant

Model: F1826-36 Satin Nickel



Shade: Vanilla Fabric
 Glass: Etched Prismatic
 Finish: Satin Nickel
 Width: 4-1/2" Height: 12" Overall: 62"
 Lamps: 1 – 60W Medium Base (Not Included)
 Labels: cULus Listed. Suitable for Dry Location.